



Tecumseh

Tecumseh ARGUS™

TECHNICAL GUIDE

SUSTAINABILITY, FLEXIBILITY & SERVICEABILITY

INDOOR/OUTDOOR CONDENSING UNIT
½ TO 6 HP



WWW.TECUMSEH.COM

Built on 85 years of climate control expertise, Tecumseh ARGUS is an air-cooled, low and medium temperature condensing unit with both indoor and outdoor configurations. With a capacity range of ½ to 6 HP, Tecumseh ARGUS is ideal for walk-in coolers and freezers and will stand up to any demand in the commercial refrigeration market. With optimized feature sets and customizable options, Tecumseh ARGUS provides sustainability, performance, flexibility and serviceability.



SUSTAINABILITY

- Designed specifically for R-452A, R-448A and R-449A
- Exceeds DOE's AWEF requirement by up to 15% in the capacity range of ½ to 6 HP
- Microchannel coil design is up to 50% lighter and uses 30-40% less refrigerant than other coil technologies

FLEXIBILITY

- Silver, Platinum or Gold feature sets
- Feature sets customizable to any specification
- A la carte selection dependent on application requirement

SERVICEABILITY

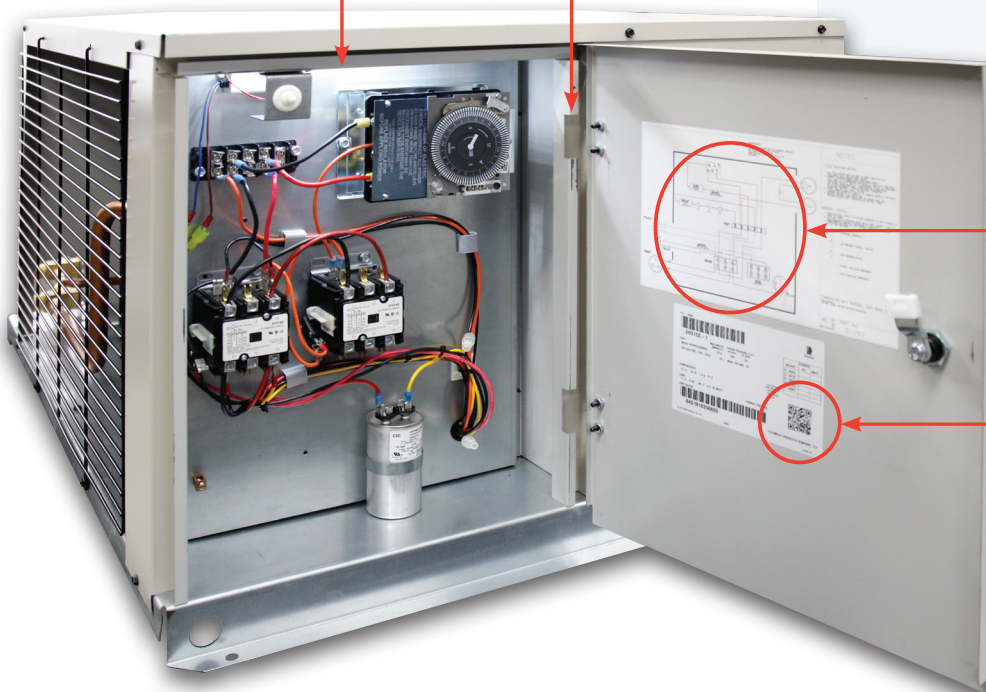
- Designed with serviceability in mind
- Vast distribution network
- World-class customer service team
- Three chassis sizes developed with simplified layout
- Easy to access without removing top of unit
- Base valves provide drop-and-go solution for any installation

LED LIGHT

Activates when system door is opened, allowing visibility in any location

ARGUS AXIS SYSTEM

Easily remove door and streamline service workflow



DIAGRAM

Enlarged color coded electrical diagram to ease serviceability

QR CODE

Easy access to wiring diagrams, performance data, service parts list and our world-class Technical Service team



**SCAN THE QR CODE
ABOVE FOR MORE
INFORMATION
ON ARGUS,
INCLUDING FULL
PERFORMANCE DATA.**



MODEL NOMENCLATURE (EXAMPLE: ASHR9440ZNP1)

CU FAMILY	PRODUCT TYPE	COMPRESSOR	APPLICATION RANGE	NOMINAL CAPACITY R404A	REFRIGERANT	POWER SUPPLY	UNIT CONFIGURATION (APPLICATION)	FACTORY INSTALLED OPTIONS	GENERATION
AS	H	R	9	440	Z	NA	M	P	1
AS	H (Outdoor - Remote)	S (Scroll)	9 (Medium)	First number is total digits.	R-404A R-448A R-449A R-452A	AA (115V/60Hz/1)	M (microchannel with PSC fan motor)	S Silver	1 (1st)
	N (Indoor - Remote)	R (Recip)	2 (Low)	Remainder is capacity in Btu/h.		NA (208-230V/60Hz/1)	F (tube and fin with PSC fan motor)	Z Zinc	
				This example; 4,000 Btu/h		FA (208-230V/60Hz/3)	N (microchannel with high efficiency, EC fan motor)	P Platinum	
							H (tube and fin with high efficiency, EC fan motor)	T Titanium	
								G Gold	
								C Custom	

FLEXIBILITY

We have the right solution for any application and offer a variety of options and feature sets customizable to any specification. Options can be configured by selecting the pre-configured feature sets or by a la carte selection dependent on the application requirement. Whatever your project requires, we provide dependable, low-maintenance solutions which can grow your business. Both indoor and outdoor units come with a cover.

PRE-CONFIGURED FEATURE SETS

OUTDOOR CONDENSING UNIT - MEDIUM TEMPERATURE

FEATURES	SILVER	ZINC	PLATINUM	TITANIUM	GOLD
SERVICE VALVES	X	X	X	X	X
CRANKCASE HEATER	X	X	X	X	X
ADJUSTABLE LOW PRESSURE CONTROL		X		X	X
FIXED LOW PRESSURE SWITCH	X		X		
HIGH PRESSURE SWITCH	X	X	X	X	X
RECEIVER TANK	X	X	X	X	
RECEIVER TANK (HEATED AND INSULATED)					X*
LIQUID LINE FILTER DRIER		X	X	X	X
SIGHT GLASS		X	X	X	X
DISCHARGE CHECK VALVE					X
ACCUMULATOR (INSULATED)					X
SUCTION LINE FILTER					X
HEAD PRESSURE CONTROL	X	X	X	X	X
ELECTROMECHANICAL DEFROST TIMER			X	X	X
ELECTRICAL BOX	X	X	X	X	X
LED LIGHT	X	X	X	X	X
QR CODE	X	X	X	X	X
ACCESS DOOR (REMOVABLE)	X	X	X	X	X
PRE-PAINTED ENCLOSURE	X	X	X	X	X

OUTDOOR CONDENSING UNIT - LOW TEMPERATURE

FEATURES	SILVER	ZINC	PLATINUM	TITANIUM	GOLD
SERVICE VALVES	X	X	X	X	X
CRANKCASE HEATER	X	X	X	X	X
ADJUSTABLE LOW PRESSURE CONTROL	X	X	X	X	X
FIXED LOW PRESSURE SWITCH					
HIGH PRESSURE SWITCH	X	X	X	X	X
RECEIVER TANK	X	X	X	X	
RECEIVER TANK (HEATED AND INSULATED)					X*
LIQUID LINE FILTER DRIER		X	X	X	X
SIGHT GLASS		X	X	X	X
DISCHARGE CHECK VALVE	X	X	X	X	X
ACCUMULATOR (INSULATED)			X		X
SUCTION LINE FILTER					X
HEAD PRESSURE CONTROL	X	X	X	X	X
ELECTROMECHANICAL DEFROST TIMER			X	X	X
ELECTRICAL BOX	X	X	X	X	X
LED LIGHT	X	X	X	X	X
QR CODE	X	X	X	X	X
ACCESS DOOR (REMOVABLE)	X	X	X	X	X
PRE-PAINTED ENCLOSURE	X	X	X	X	X

Indoor models do not include crank case heater or head pressure control.

*Indoor gold models include a standard, non-heated, receiver.

Relay and start capacitor components standard on all condensing unit feature packages other than 3-phase models.

All low temperature scroll compressors include liquid injection standard.

Refer to Tecumseh's Remote Condensing Unit Installation Instructions for Head Pressure Control Settings.

CUSTOM OPTIONS

STEP 1:

Choose the appropriate “silver” (base) model number or item number.

STEP 2:

Select your required options from the list below.

STEP 3:

Submit request to your regional Tecumseh account manager.

AVAILABLE FACTORY INSTALLED OPTIONS

- Electromechanical defrost timer – 120 V
- Electromechanical defrost timer – 240 V
- Electromechanical defrost timer – Electric with adaptive defrost
- Liquid line filter drier and sight glass
- Adjustable low-pressure control
- Suction line filter
- Accumulator
- Heated insulated receiver
- Discharge check-valve – LBP standard
- Mounted non-fused disconnect
- E-Coated Coils (Tube Fin)
- E-Coated Coils (Microchannel)
- Phase Monitor

AVAILABLE FIELD INSTALLED ACCESSORY

- Hail Guard

These parts are shipped separate and installed in the field.



ANNUAL WALK-IN ENERGY FACTOR (AWEF)

The Annual Walk-in Energy Factor (AWEF) measures the efficiency of a system's electrical energy input versus its cooling capacity. All commercial refrigeration equipment should comply with the AWEF rating defined by the Department of Energy (DOE). This new set of standards will reduce energy consumption and increase efficiency of commercial refrigeration equipment. NRCan walk-in cooler and freezer regulations, once they go into effect, will use the same efficiency metric.

WHO IS RESPONSIBLE?

Manufacturers who build, certify and mark equipment which is compliant and individuals selecting equipment for covered installations, such as contracting companies or OEMs. The

DOE conducts random checks to ensure equipment meets advertised efficiencies. Any party who selects or uses non-compliant equipment, is subject to penalties.

WHICH PRODUCTS?

- Condensing units which contain compressors and condenser coils
- Unit coolers which contain evaporator coil and air movers
- Packaged units such as standalone, self-contained refrigeration systems
- Medium temperature applications where box temperature is above 32°F
- Low temperature applications where box temperature is below 32°F

MEDIUM TEMPERATURE – MICROCHANNEL

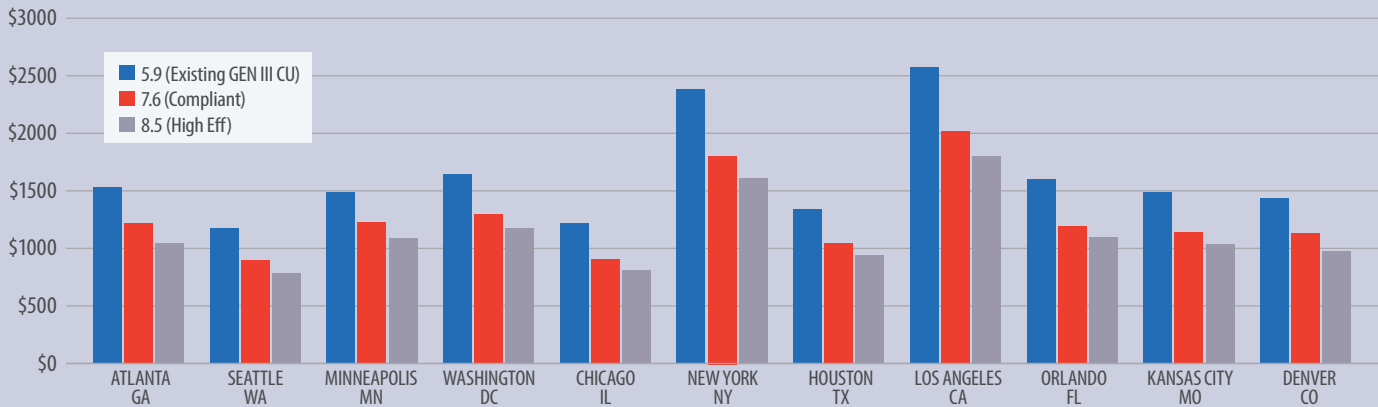
AWEF	MODEL #	INDOOR	OUTDOOR
R-404A	AS*R9440Z*****	5.61	7.60
	AS*R9460Z*****	5.61	7.60
	AS*R9480Z*****	5.61	7.60
	AS*R9510Z*****	5.61	7.60
	AS*R9512Z*****	5.61	7.60
	AS*S9516Z*****	5.61	7.60
	AS*S9520Z*****	5.61	7.60
	AS*S9522Z*****	5.61	7.60
	AS*S9524Z*****	5.61	7.60
	AS*S9532Z*****	5.61	7.60
	AS*S9540Z*****	5.61	7.60
	AS*S9548Z*****	5.61	7.60
R-449A / R-448A	AS*R9440Z*****	5.61	7.60
	AS*R9460Z*****	5.61	7.60
	AS*R9480Z*****	5.61	7.60
	AS*R9510Z*****	5.61	7.60
	AS*R9512Z*****	5.61	7.60
	AS*S9516Z*****	5.61	7.60
	AS*S9520Z*****	5.61	7.60
	AS*S9522Z*****	5.61	7.60
	AS*S9524Z*****	5.61	7.60
	AS*S9532Z*****	5.61	7.60
	AS*S9540Z*****	5.61	7.60
	AS*S9548Z*****	5.61	7.60
R-452A	AS*R9440Z*****	5.61	7.60
	AS*R9460Z*****	5.61	7.60
	AS*R9480Z*****	5.61	7.60
	AS*R9510Z*****	5.61	7.60
	AS*R9512Z*****	5.61	7.60
	AS*S9516Z*****	5.61	7.60
	AS*S9520Z*****	5.61	7.60
	AS*S9522Z*****	5.61	7.60
	AS*S9524Z*****	5.61	7.60
	AS*S9532Z*****	5.61	7.60
	AS*S9540Z*****	5.61	7.60
	AS*S9548Z*****	5.61	7.60

All AWEF values are reflective of PSC fan motors unless otherwise specified

MEDIUM TEMPERATURE – TUBE FIN

AWEF	MODEL #	INDOOR	OUTDOOR
R-404A	AS*R9440Z*****	5.61	7.60
	AS*R9460Z*****	5.61	7.60
	AS*R9480Z*****	5.61	7.60
	AS*R9510Z*****	5.61	7.60
	AS*R9512Z*****	5.61	7.60
	AS*S9516Z*****	5.61	7.60
	AS*S9520Z*****	5.61	7.60
	AS*S9522Z*****	5.61	7.60
	AS*S9524Z*****	5.61	7.60
	AS*S9532Z*****	5.61	7.60
	AS*S9540Z*****	5.61	7.60
	AS*S9548Z*****	5.61	7.60
R-449A / R-448A	AS*R9440Z*****	5.61	7.60
	AS*R9460Z*****	5.61	7.60
	AS*R9480Z*****	5.61	7.60
	AS*R9510Z*****	5.61	7.60
	AS*R9512Z*****	5.61	7.60
	AS*S9516Z*****	5.61	7.60
	AS*S9520Z*****	5.61	7.60
	AS*S9522Z*****	5.61	7.60
	AS*S9524Z*****	5.61	7.60
	AS*S9532Z*****	5.61	7.60
	AS*S9540Z*****	5.61	7.60
	AS*S9548Z*****	5.61	7.60
R-452A	AS*R9440Z*****	5.61	7.60
	AS*R9460Z*****	5.61	7.60
	AS*R9480Z*****	5.61	7.60
	AS*R9510Z*****	5.61	7.60
	AS*R9512Z*****	5.61	7.60
	AS*S9516Z*****	5.61	7.60
	AS*S9520Z*****	5.61	7.60
	AS*S9522Z*****	5.61	7.60
	AS*S9524Z*****	5.61	7.60
	AS*S9532Z*****	5.61	7.60
	AS*S9540Z*****	5.61	7.60
	AS*S9548Z*****	5.61	7.60

AVERAGE YEARLY UTILITY COSTS – WICF OUTDOOR CONDENSING UNITS



Analysis based on 5 HP Outdoor Medium Temperature Condensing System using weather BIN data and state EIA energy rates from 2017.

LOW TEMPERATURE – MICROCHANNEL

AWEF	MODEL #	INDOOR	OUTDOOR
R-404A	AS*R2430Z*****	1.96	2.82
	AS*R2440Z*****	1.99	2.85
	AS*R2450Z*****	2.01	2.87
	AS*R2460Z*****	2.08	2.89
	AS*R2480Z*****	2.21	2.98
	AS*S2480Z*****	2.30	3.05
	AS*R2510Z*****	2.28	3.05
	AS*S2510Z*****	2.40	3.15
	AS*S2512Z*****	2.40	3.15
	AS*S2514Z*****	2.40	3.15
	AS*S2520Z*****	2.40	3.15
AS*S2524Z*****	2.40	3.15	
R-448A / R-449A	AS*R2430Z*****	1.96	2.82
	AS*R2440Z*****	1.99	2.85
	AS*R2450Z*****	2.01	2.87
	AS*R2460Z*****	2.08	2.89
	AS*R2480Z*****	2.21	2.98
	AS*S2480Z*****	2.30	3.05
	AS*R2510Z*****	2.28	3.05
	AS*R2510Z*****	2.40	3.15
	AS*S2512Z*****	2.40	3.15
	AS*S2514Z*****	2.40	3.15
	AS*S2520Z*****	2.40	3.15
AS*S2524Z*****	2.40	3.15	
R-452A	AS*R2430Z*****	1.96	2.82
	AS*R2440Z*****	1.99	2.85
	AS*R2450Z*****	2.01	2.87
	AS*R2460Z*****	2.08	2.89
	AS*R2480Z*****	2.21	2.98
	AS*S2480Z*****	2.30	3.05
	AS*R2510Z*****	2.28	3.05
	AS*S2510Z*****	2.40	3.15
	AS*S2512Z*****	2.40	3.15
	AS*S2514Z*****	2.40	3.15
	AS*S2520Z*****	2.40	3.15
AS*S2524Z*****	2.40	3.15	

LOW TEMPERATURE – TUBE FIN

AWEF	MODEL #	INDOOR	OUTDOOR
R-404A	AS*R2430Z*****	1.96	2.82
	AS*R2440Z*****	1.99	2.85
	AS*R2450Z*****	2.01	2.87
	AS*R2460Z*****	2.08	2.89
	AS*R2480Z*****	2.21	2.98
	AS*S2480Z*****	2.30	3.05
	AS*R2510Z*****	2.28	3.05
	AS*S2510Z*****	2.40	3.15
	AS*S2512Z*****	2.40	3.15
	AS*S2514Z*****	2.40	3.15
	AS*S2520Z*****	2.40	3.15
AS*S2524Z*****	2.40	3.15	
R-448A / R-449A	AS*R2430Z*****	1.96	2.82
	AS*R2440Z*****	1.99	2.85
	AS*R2450Z*****	2.01	2.87
	AS*R2460Z*****	2.08	2.89
	AS*R2480Z*****	2.21	2.98
	AS*S2480Z*****	2.30	3.05
	AS*R2510Z*****	2.28	3.05
	AS*R2510Z*****	2.40	3.15
	AS*S2512Z*****	2.40	3.15
	AS*S2514Z*****	2.40	3.15
	AS*S2520Z*****	2.40	3.15
AS*S2524Z*****	2.40	3.15	
R-452A	AS*R2430Z*****	1.96	2.82
	AS*R2440Z*****	1.99	2.85
	AS*R2450Z*****	2.01	2.87
	AS*R2460Z*****	2.08	2.89
	AS*R2480Z*****	2.21	2.98
	AS*S2480Z*****	2.30	3.05
	AS*R2510Z*****	2.28	3.05
	AS*S2510Z*****	2.40	3.15
	AS*S2512Z*****	2.40	3.15
	AS*S2514Z*****	2.40	3.15
	AS*S2520Z*****	2.40	3.15
AS*S2524Z*****	2.40	3.15	

MEDIUM TEMPERATURE | MICROCHANNEL PERFORMANCE

CAPACITY TABLES (BTUH) - R-404A

80°F AMBIENT

MODEL NUMBER	SUCTION TEMPERATURE (SST)					
	30°F	25°F	20°F	10°F	0°F	-10°F
AS*R9440Z*****	5,173	4,682	4,453	3,558	2,794	2,158
AS*R9460Z*****	8,630	7,846	7,483	5,973	4,610	3,390
AS*R9480Z*****	10,163	9,423	9,162	7,582	6,026	4,488
AS*R9510Z*****	15,591	14,027	13,236	10,345	7,838	5,703
AS*R9512Z*****	20,898	18,964	18,050	14,337	10,997	8,017
AS*S9516Z*****	23,229	21,352	20,623	16,994	13,720	10,786
AS*S9520Z*****	27,719	25,492	24,642	20,363	16,523	13,106
AS*S9522Z*****	29,992	27,775	27,020	22,544	18,348	14,411
AS*S9524Z*****	41,589	37,959	36,369	29,371	23,063	17,413
AS*S9532Z*****	48,800	44,687	43,024	35,321	28,580	22,767
AS*S9540Z*****	58,403	50,256	48,451	39,869	32,301	25,715
AS*S9548Z*****	64,442	59,344	57,463	47,711	39,005	31,305

100°F AMBIENT

MODEL NUMBER	SUCTION TEMPERATURE (SST)					
	30°F	25°F	20°F	10°F	0°F	-10°F
AS*R9440Z*****	4,177	3,760	3,558	2,822	2,215	1,736
AS*R9460Z*****	6,845	6,192	5,878	4,651	3,568	2,626
AS*R9480Z*****	8,659	8,003	7,754	6,356	4,980	3,621
AS*R9510Z*****	11,890	10,592	9,893	7,573	5,631	4,058
AS*R9512Z*****	16,315	14,683	13,853	10,792	8,097	5,755
AS*S9516Z*****	19,251	17,656	17,023	14,002	11,327	8,989
AS*S9520Z*****	22,974	21,107	20,396	16,888	13,813	11,155
AS*S9522Z*****	24,411	22,606	22,001	18,411	15,090	12,023
AS*S9524Z*****	34,861	31,734	30,333	24,418	19,179	14,592
AS*S9532Z*****	40,369	36,790	35,256	28,703	23,097	18,412
AS*S9540Z*****	46,121	42,215	40,645	33,441	27,235	22,001
AS*S9548Z*****	55,669	50,798	48,686	39,442	31,233	24,023

90°F AMBIENT

MODEL NUMBER	SUCTION TEMPERATURE (SST)					
	30°F	25°F	20°F	10°F	0°F	-10°F
AS*R9440Z*****	4,675	4,221	4,006	3,190	2,505	1,947
AS*R9460Z*****	7,737	7,019	6,680	5,312	4,089	3,007
AS*R9480Z*****	9,411	8,713	8,457	6,969	5,503	4,054
AS*R9510Z*****	13,741	12,309	11,565	8,960	6,734	4,880
AS*R9512Z*****	18,606	16,823	15,952	12,564	9,547	6,885
AS*S9516Z*****	21,240	19,504	18,823	15,498	12,524	9,887
AS*S9520Z*****	25,346	23,300	22,520	18,625	15,168	12,130
AS*S9522Z*****	27,202	25,191	24,510	20,478	16,718	13,217
AS*S9524Z*****	38,225	34,846	33,352	26,895	21,121	16,002
AS*S9532Z*****	44,584	40,738	39,140	32,013	25,839	20,590
AS*S9540Z*****	50,462	46,235	44,549	36,655	29,768	23,858
AS*S9548Z*****	60,056	55,071	53,075	43,576	35,119	27,664

110°F AMBIENT

MODEL NUMBER	SUCTION TEMPERATURE (SST)					
	30°F	25°F	20°F	10°F	0°F	-10°F
AS*R9440Z*****	3,679	3,299	3,111	2,454	1,926	1,525
AS*R9460Z*****	5,953	5,366	5,075	3,989	3,046	2,243
AS*R9480Z*****	7,907	7,294	7,049	5,742	4,457	3,187
AS*R9510Z*****	10,040	8,874	8,222	6,187	4,528	3,235
AS*R9512Z*****	14,023	12,543	11,755	9,019	6,646	4,625
AS*S9516Z*****	17,262	15,809	15,223	12,505	10,132	8,091
AS*S9520Z*****	20,601	18,914	18,272	15,152	12,458	—
AS*S9522Z*****	21,620	20,021	19,492	16,345	13,461	—
AS*S9524Z*****	31,496	28,622	27,316	21,942	17,238	—
AS*S9532Z*****	36,154	32,841	31,372	25,394	20,357	16,235
AS*S9540Z*****	41,781	38,195	36,743	30,227	24,703	20,145
AS*S9548Z*****	51,283	46,525	44,298	35,307	27,348	—

95°F AMBIENT

MODEL NUMBER	SUCTION TEMPERATURE (SST)					
	30°F	25°F	20°F	10°F	0°F	-10°F
AS*R9440Z*****	4,426	3,991	3,782	3,006	2,360	1,841
AS*R9460Z*****	7,291	6,606	6,279	4,981	3,828	2,816
AS*R9480Z*****	9,035	8,358	8,106	6,662	5,241	3,837
AS*R9510Z*****	12,816	11,451	10,730	8,266	6,183	4,469
AS*R9512Z*****	17,461	15,753	14,902	11,678	8,822	6,321
AS*S9516Z*****	20,246	18,580	17,923	14,750	11,926	9,439
AS*S9520Z*****	24,160	22,203	21,457	17,757	14,490	11,643
AS*S9522Z*****	25,806	23,898	23,256	19,445	15,904	12,620
AS*S9524Z*****	36,543	33,290	31,842	25,657	20,150	15,296
AS*S9532Z*****	42,477	38,764	37,198	30,357	24,468	19,501
AS*S9540Z*****	48,292	44,225	42,597	35,058	28,502	22,930
AS*S9548Z*****	57,862	52,935	50,880	41,509	33,176	25,844

Medium Temperature Evaporating Range Temperature is -10°F to +45°F.

All capacities are listed in Btu/h.

All capacity data is at dew point conditions.

≤ 20°F is 40°F Return Gas | > 20°F is 65°F Return Gas | Sub cooling 5°F.

Performance data subject to change without notice.

MEDIUM TEMPERATURE | MICROCHANNEL PERFORMANCE

CAPACITY TABLES (BTUH) - R-448A/R-449A

80°F AMBIENT

MODEL NUMBER	SUCTION TEMPERATURE (SST)					
	30°F	25°F	20°F	10°F	0°F	-10°F
AS*R9440Z*****	4,720	4,223	3,947	3,041	2,261	1,606
AS*R9460Z*****	7,454	6,641	6,182	4,732	3,511	2,514
AS*R9480Z*****	9,377	8,550	8,148	6,537	5,055	3,701
AS*R9510Z*****	14,201	12,553	11,596	8,758	6,463	4,701
AS*R9512Z*****	19,105	17,108	15,995	12,303	9,071	6,289
AS*S9516Z*****	19,968	18,265	17,486	14,233	11,302	8,682
AS*S9520Z*****	23,673	21,573	20,593	16,729	13,378	10,526
AS*S9522Z*****	26,708	24,478	23,496	19,279	15,517	12,198
AS*S9524Z*****	36,691	32,994	31,084	24,642	19,373	15,253
AS*S9532Z*****	42,800	38,400	36,700	29,650	23,350	17,800
AS*S9540Z*****	51,165	46,545	44,286	35,498	27,604	20,577
AS*S9548Z*****	57,959	52,316	49,527	39,819	32,002	26,041

100°F AMBIENT

MODEL NUMBER	SUCTION TEMPERATURE (SST)					
	30°F	25°F	20°F	10°F	0°F	-10°F
AS*R9440Z*****	3,974	3,545	3,305	2,545	1,909	1,395
AS*R9460Z*****	6,083	5,391	4,994	3,801	2,835	2,091
AS*R9480Z*****	7,763	7,039	6,669	5,280	4,018	2,882
AS*R9510Z*****	11,008	9,526	8,588	6,108	4,168	2,756
AS*R9512Z*****	15,440	13,683	12,647	9,467	6,743	4,467
AS*S9516Z*****	17,165	15,643	14,920	12,053	9,504	—
AS*S9520Z*****	20,278	18,409	17,512	14,142	—	—
AS*S9522Z*****	23,063	21,074	20,170	16,467	13,216	—
AS*S9524Z*****	31,753	28,402	26,620	20,919	16,382	—
AS*S9532Z*****	36,900	33,550	31,700	25,400	19,800	15,000
AS*S9540Z*****	44,329	40,249	38,233	30,595	23,841	—
AS*S9548Z*****	50,554	45,463	42,900	34,367	27,715	—

90°F AMBIENT

MODEL NUMBER	SUCTION TEMPERATURE (SST)					
	30°F	25°F	20°F	10°F	0°F	-10°F
AS*R9440Z*****	4,347	3,884	3,626	2,792	2,085	1,500
AS*R9460Z*****	6,768	6,016	5,588	4,266	3,173	2,303
AS*R9480Z*****	8,570	7,794	7,409	5,908	4,537	3,291
AS*R9510Z*****	12,604	11,039	10,092	7,433	5,315	3,729
AS*R9512Z*****	17,273	15,395	14,321	10,885	7,907	5,378
AS*S9516Z*****	18,567	16,954	16,204	13,142	10,404	7,974
AS*S9520Z*****	21,976	19,991	19,052	15,436	12,330	—
AS*S9522Z*****	24,885	22,776	21,834	17,873	14,366	11,301
AS*S9524Z*****	34,222	30,698	28,852	22,781	17,878	14,123
AS*S9532Z*****	39,900	36,100	34,300	27,600	21,550	16,200
AS*S9540Z*****	47,747	43,397	41,259	33,046	25,723	19,262
AS*S9548Z*****	54,256	48,889	46,214	37,093	29,859	24,476

110°F AMBIENT

MODEL NUMBER	SUCTION TEMPERATURE (SST)					
	30°F	25°F	20°F	10°F	0°F	-10°F
AS*R9440Z*****	3,602	3,206	2,985	2,297	1,732	1,290
AS*R9460Z*****	5,398	4,766	4,401	3,335	2,497	1,880
AS*R9480Z*****	6,956	6,284	5,930	4,651	3,500	2,473
AS*R9510Z*****	9,411	8,012	7,084	4,783	3,019	1,783
AS*R9512Z*****	13,608	11,970	10,972	8,049	5,580	3,556
AS*S9516Z*****	15,764	14,332	13,636	10,963	—	—
AS*S9520Z*****	18,580	16,828	15,970	—	—	—
AS*S9522Z*****	21,240	19,372	18,507	15,062	—	—
AS*S9524Z*****	29,284	26,106	24,389	19,056	—	—
AS*S9532Z*****	34,300	30,900	29,000	23,100	17,850	—
AS*S9540Z*****	40,911	37,101	32,070	28,143	—	—
AS*S9548Z*****	46,852	42,036	39,586	31,641	—	—

95°F AMBIENT

MODEL NUMBER	SUCTION TEMPERATURE (SST)					
	30°F	25°F	20°F	10°F	0°F	-10°F
AS*R9440Z*****	4,161	3,714	3,465	2,669	1,996	1,448
AS*R9460Z*****	6,426	5,703	5,292	4,034	3,004	2,197
AS*R9480Z*****	8,167	7,417	7,039	5,594	4,277	3,087
AS*R9510Z*****	11,806	10,282	9,339	6,770	4,741	3,242
AS*R9512Z*****	16,356	14,539	13,484	10,176	7,326	4,923
AS*S9516Z*****	17,866	16,298	15,561	12,597	9,954	7,620
AS*S9520Z*****	21,127	19,200	18,281	14,789	11,806	—
AS*S9522Z*****	23,974	21,925	21,002	17,170	13,791	—
AS*S9524Z*****	32,988	29,550	27,736	21,850	17,130	—
AS*S9532Z*****	38,450	34,700	33,000	26,500	20,700	15,700
AS*S9540Z*****	46,038	41,823	39,746	31,820	24,781	—
AS*S9548Z*****	52,405	47,176	44,557	35,730	28,787	—

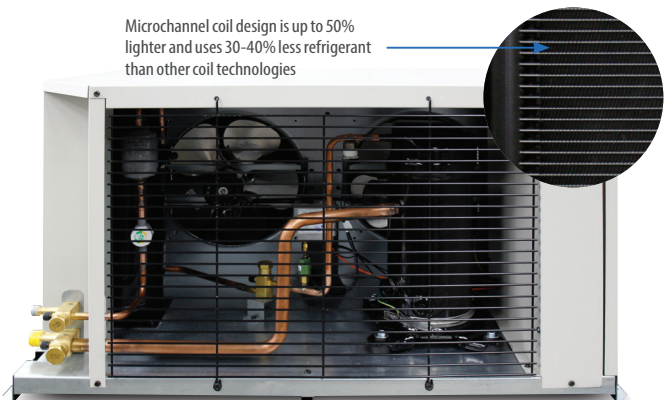
Medium Temperature Evaporating Range Temperature is -10°F to +45°F.

All capacities are listed in Btu/h.

All capacity data is at dew point conditions.

≤ 20°F is 40°F Return Gas | > 20°F is 65°F Return Gas | Sub cooling 5°F.

Performance data subject to change without notice.



MEDIUM TEMPERATURE | MICROCHANNEL PERFORMANCE

CAPACITY TABLES (BTUH) - R-452A

80°F AMBIENT

MODEL NUMBER	SUCTION TEMPERATURE (SST)					
	30°F	25°F	20°F	10°F	0°F	-10°F
AS*R9440Z*****	4,950	4,477	4,244	3,362	2,588	1,919
AS*R9460Z*****	7,528	6,783	6,410	5,072	3,945	3,022
AS*R9480Z*****	9,694	8,838	8,449	6,826	5,381	4,108
AS*R9510Z*****	14,174	12,682	11,880	9,174	6,863	4,938
AS*R9512Z*****	19,848	17,889	16,876	13,194	9,933	7,083
AS*S9516Z*****	20,409	18,617	17,820	14,489	11,584	9,091
AS*S9520Z*****	25,702	23,286	22,183	18,029	14,708	12,202
AS*S9522Z*****	27,029	25,138	24,494	20,470	16,512	12,605
AS*S9524Z*****	38,848	35,440	33,909	27,488	21,806	16,840
AS*S9532Z*****	44,400	40,750	38,900	32,100	25,100	19,250
AS*S9540Z*****	52,601	47,926	45,817	37,147	29,597	23,136
AS*S9548Z*****	60,999	55,665	53,319	43,455	34,896	27,602

90°F AMBIENT

MODEL NUMBER	SUCTION TEMPERATURE (SST)					
	30°F	25°F	20°F	10°F	0°F	-10°F
AS*R9440Z*****	4,505	4,060	3,833	3,012	2,297	1,686
AS*R9460Z*****	6,847	6,144	5,781	4,534	3,495	2,660
AS*R9480Z*****	8,835	8,033	7,656	6,149	4,817	3,657
AS*R9510Z*****	12,595	11,184	10,388	7,857	5,720	3,966
AS*R9512Z*****	17,747	15,920	14,942	11,545	8,567	5,996
AS*S9516Z*****	18,684	17,024	16,282	13,236	10,611	8,397
AS*S9520Z*****	24,076	21,749	20,656	16,694	13,563	11,245
AS*S9522Z*****	24,962	23,220	22,628	18,924	15,281	11,687
AS*S9524Z*****	35,891	32,665	31,179	25,149	19,854	15,271
AS*S9532Z*****	41,150	37,650	36,150	29,630	23,300	17,750
AS*S9540Z*****	48,928	44,522	42,516	34,422	27,444	21,550
AS*S9548Z*****	56,453	51,442	49,209	40,035	32,159	25,544

95°F AMBIENT

MODEL NUMBER	SUCTION TEMPERATURE (SST)					
	30°F	25°F	20°F	10°F	0°F	-10°F
AS*R9440Z*****	4,283	3,852	3,629	2,836	2,150	1,569
AS*R9460Z*****	6,507	5,825	5,467	4,264	3,270	2,478
AS*R9480Z*****	8,406	7,630	7,260	5,810	4,536	3,431
AS*R9510Z*****	11,805	10,435	9,641	7,198	5,148	3,480
AS*R9512Z*****	16,696	14,936	13,975	10,721	7,884	5,454
AS*S9516Z*****	17,821	16,228	15,513	12,608	10,124	8,051
AS*S9520Z*****	23,263	20,981	19,894	16,028	12,991	10,766
AS*S9522Z*****	23,928	22,260	21,696	18,150	14,665	11,228
AS*S9524Z*****	34,412	31,277	29,813	23,979	18,878	14,488
AS*S9532Z*****	39,750	36,200	34,830	28,300	22,450	16,950
AS*S9540Z*****	47,091	42,820	40,865	33,060	26,368	20,758
AS*S9548Z*****	54,181	49,330	47,155	38,327	30,792	24,515

100°F AMBIENT

MODEL NUMBER	SUCTION TEMPERATURE (SST)					
	30°F	25°F	20°F	10°F	0°F	-10°F
AS*R9440Z*****	4,060	3,643	3,423	2,661	2,005	1,453
AS*R9460Z*****	6,166	5,505	5,152	3,994	3,045	2,298
AS*R9480Z*****	7,976	7,227	6,864	5,471	4,254	3,206
AS*R9510Z*****	11,015	9,686	8,895	6,540	4,575	2,995
AS*R9512Z*****	15,645	13,951	13,008	9,897	7,201	4,911
AS*S9516Z*****	16,959	15,432	14,744	11,981	9,638	7,704
AS*S9520Z*****	22,450	20,212	19,131	15,360	12,418	10,288
AS*S9522Z*****	22,895	21,301	20,764	17,378	14,049	10,768
AS*S9524Z*****	32,934	29,890	28,448	22,809	17,902	13,704
AS*S9532Z*****	37,970	34,850	33,350	27,000	21,350	16,250
AS*S9540Z*****	45,254	41,118	39,215	31,698	25,291	19,965
AS*S9548Z*****	51,908	47,218	45,100	36,617	29,423	23,486

110°F AMBIENT

MODEL NUMBER	SUCTION TEMPERATURE (SST)					
	30°F	25°F	20°F	10°F	0°F	-10°F
AS*R9440Z*****	3,616	3,226	3,012	2,310	1,713	1,219
AS*R9460Z*****	5,486	4,866	4,523	3,456	2,594	1,936
AS*R9480Z*****	7,117	6,422	6,072	4,794	3,690	2,754
AS*R9510Z*****	9,435	8,187	7,403	5,222	3,432	2,023
AS*R9512Z*****	13,544	11,983	11,074	8,247	5,835	3,825
AS*S9516Z*****	15,234	13,839	13,207	10,728	8,665	—
AS*S9520Z*****	20,824	18,675	17,606	14,026	11,274	—
AS*S9522Z*****	20,827	19,382	18,899	15,832	12,818	—
AS*S9524Z*****	29,977	27,115	25,716	20,470	15,950	—
AS*S9532Z*****	34,900	31,850	30,450	24,650	19,300	—
AS*S9540Z*****	41,581	37,714	35,912	28,973	23,138	—
AS*S9548Z*****	47,362	42,995	40,991	33,198	26,687	—

Medium Temperature Evaporating Range Temperature is -10°F to +45°F.

All capacities are listed in Btu/h.

All capacity data is at dew point conditions.

≤ 20°F is 40°F Return Gas | > 20°F is 65°F Return Gas | Sub cooling 5°F.

Performance data subject to change without notice.

MEDIUM TEMPERATURE | TUBE/FIN PERFORMANCE

CAPACITY TABLES (BTUH) - R-404A

80°F AMBIENT

MODEL NUMBER	SUCTION TEMPERATURE (SST)					
	30°F	25°F	20°F	10°F	0°F	-10°F
AS*R9440Z*****	4,997	4,482	4,227	3,340	2,631	2,096
AS*R9460Z*****	8,664	7,861	7,485	5,968	4,626	3,451
AS*R9480Z*****	10,744	9,835	9,449	7,664	6,026	4,528
AS*R9510Z*****	15,591	14,027	13,236	10,345	7,838	5,703
AS*R9512Z*****	20,898	18,964	18,050	14,337	10,997	8,017
AS*S9516Z*****	22,276	20,577	19,956	16,518	13,286	10,245
AS*S9520Z*****	27,719	25,492	24,642	20,363	16,523	13,106
AS*S9522Z*****	30,539	28,187	27,332	22,674	18,376	14,421
AS*S9524Z*****	39,404	35,830	34,238	27,642	21,950	17,133
AS*S9532Z*****	47,339	43,707	42,392	35,178	28,504	22,343
AS*S9540Z*****	56,188	51,748	50,048	41,232	33,069	25,530
AS*S9548Z*****	68,026	61,918	59,231	47,937	38,170	29,883

100°F AMBIENT

MODEL NUMBER	SUCTION TEMPERATURE (SST)					
	30°F	25°F	20°F	10°F	0°F	-10°F
AS*R9440Z*****	3,998	3,554	3,323	2,590	2,033	1,648
AS*R9460Z*****	6,962	6,288	5,962	4,722	3,652	2,749
AS*R9480Z*****	8,792	8,024	7,687	6,205	4,867	3,666
AS*R9510Z*****	11,890	10,592	9,893	7,573	5,631	4,058
AS*R9512Z*****	16,315	14,683	13,853	10,792	8,097	5,755
AS*S9516Z*****	18,403	16,960	16,412	13,528	10,842	8,344
AS*S9520Z*****	22,974	21,107	20,396	16,888	13,813	11,155
AS*S9522Z*****	25,132	23,150	22,409	18,548	15,037	11,864
AS*S9524Z*****	32,287	29,240	27,842	22,379	17,808	14,103
AS*S9532Z*****	39,272	36,149	34,956	28,839	23,250	18,164
AS*S9540Z*****	45,369	41,828	40,532	33,640	27,385	21,738
AS*S9548Z*****	52,884	48,138	46,130	37,747	30,861	25,438

90°F AMBIENT

MODEL NUMBER	SUCTION TEMPERATURE (SST)					
	30°F	25°F	20°F	10°F	0°F	-10°F
AS*R9440Z*****	4,497	4,018	3,776	2,965	2,332	1,873
AS*R9460Z*****	7,813	7,074	6,723	5,345	4,138	3,100
AS*R9480Z*****	9,768	8,930	8,568	6,934	5,446	4,097
AS*R9510Z*****	13,741	12,309	11,565	8,960	6,734	4,880
AS*R9512Z*****	18,606	16,823	15,952	12,564	9,547	6,885
AS*S9516Z*****	20,340	18,768	18,184	15,024	12,064	9,295
AS*S9520Z*****	25,346	23,300	22,520	18,625	15,168	12,130
AS*S9522Z*****	27,835	25,668	24,870	20,611	16,707	13,142
AS*S9524Z*****	35,846	32,535	31,039	25,011	19,879	15,617
AS*S9532Z*****	43,305	39,928	38,674	32,008	25,876	20,253
AS*S9540Z*****	50,778	46,788	45,290	37,436	30,227	23,634
AS*S9548Z*****	60,455	55,028	52,680	42,842	34,516	27,660

110°F AMBIENT

MODEL NUMBER	SUCTION TEMPERATURE (SST)					
	30°F	25°F	20°F	10°F	0°F	-10°F
AS*R9440Z*****	3,498	3,090	2,872	2,214	1,733	1,424
AS*R9460Z*****	6,112	5,502	5,201	4,099	3,166	2,399
AS*R9480Z*****	7,816	7,119	6,806	5,476	4,287	3,235
AS*R9510Z*****	10,040	8,874	8,222	6,187	4,528	3,235
AS*R9512Z*****	14,023	12,543	11,755	9,019	6,646	4,625
AS*S9516Z*****	16,466	15,152	14,640	12,033	9,620	—
AS*S9520Z*****	20,601	18,914	18,272	15,152	12,458	—
AS*S9522Z*****	22,428	20,631	19,947	16,484	13,368	—
AS*S9524Z*****	28,728	25,945	24,644	19,748	15,736	—
AS*S9532Z*****	35,239	32,370	31,239	25,670	20,623	16,074
AS*S9540Z*****	39,959	36,868	35,774	29,844	24,542	19,842
AS*S9548Z*****	45,313	41,248	39,579	32,652	27,208	23,216

95°F AMBIENT

MODEL NUMBER	SUCTION TEMPERATURE (SST)					
	30°F	25°F	20°F	10°F	0°F	-10°F
AS*R9440Z*****	4,247	3,786	3,550	2,778	2,183	1,761
AS*R9460Z*****	7,388	6,681	6,343	5,033	3,895	2,925
AS*R9480Z*****	9,280	8,477	8,127	6,570	5,156	3,881
AS*R9510Z*****	12,816	11,451	10,730	8,266	6,183	4,469
AS*R9512Z*****	17,461	15,753	14,902	11,678	8,822	6,321
AS*S9516Z*****	19,371	17,864	17,298	14,275	11,453	8,820
AS*S9520Z*****	24,160	22,203	21,457	17,757	14,490	11,643
AS*S9522Z*****	26,484	24,409	23,640	19,579	15,872	12,504
AS*S9524Z*****	34,066	30,887	29,441	23,695	18,843	14,860
AS*S9532Z*****	41,289	38,038	36,815	30,423	24,563	19,208
AS*S9540Z*****	48,074	44,308	42,911	35,539	28,806	22,686
AS*S9548Z*****	56,670	51,583	49,405	40,294	32,689	26,550

Medium Temperature Evaporating Range Temperature is -10°F to +45°F.

All capacities are listed in Btu/h.

All capacity data is at dew point conditions.

≤ 20°F is 40°F Return Gas | > 20°F is 65°F Return Gas | Sub cooling 5°F.

Performance data subject to change without notice.



MEDIUM TEMPERATURE | TUBE/FIN PERFORMANCE

CAPACITY TABLES (BTUH) - R-448A/R-449A

80°F AMBIENT

MODEL NUMBER	SUCTION TEMPERATURE (SST)					
	30°F	25°F	20°F	10°F	0°F	-10°F
AS*R9440Z*****	4,398	3,950	3,706	2,877	2,153	1,530
AS*R9460Z*****	7,542	6,734	6,279	4,811	3,552	2,495
AS*R9480Z*****	9,068	8,190	7,739	6,131	4,741	3,563
AS*R9510Z*****	14,201	12,553	11,596	8,758	6,463	4,701
AS*R9512Z*****	19,105	17,108	15,995	12,303	9,071	6,289
AS*S9516Z*****	20,765	18,929	18,067	14,641	11,628	9,015
AS*S9520Z*****	23,673	21,573	20,593	16,729	13,378	10,526
AS*S9522Z*****	26,702	24,512	23,520	19,116	14,954	11,021
AS*S9524Z*****	36,289	33,118	31,612	25,500	19,940	14,914
AS*S9532Z*****	42,383	38,636	36,865	29,817	23,560	18,069
AS*S9540Z*****	50,806	46,277	44,128	35,668	28,210	21,728
AS*S9548Z*****	58,695	53,593	51,233	41,630	33,101	25,613

100°F AMBIENT

MODEL NUMBER	SUCTION TEMPERATURE (SST)					
	30°F	25°F	20°F	10°F	0°F	-10°F
AS*R9440Z*****	3,638	3,233	2,997	2,261	1,627	1,095
AS*R9460Z*****	6,005	5,313	4,907	3,685	2,671	1,857
AS*R9480Z*****	7,590	6,805	6,380	4,971	3,777	2,796
AS*R9510Z*****	11,008	9,526	8,588	6,108	4,168	2,756
AS*R9512Z*****	15,440	13,683	12,647	9,467	6,743	4,467
AS*S9516Z*****	17,878	16,220	15,407	12,366	9,732	7,496
AS*S9520Z*****	20,278	18,409	17,512	14,142	—	—
AS*S9522Z*****	22,829	20,896	19,989	16,133	—	—
AS*S9524Z*****	31,293	28,401	26,945	21,432	16,464	—
AS*S9532Z*****	36,878	33,456	31,761	25,407	19,839	15,032
AS*S9540Z*****	43,863	39,779	37,763	30,255	23,741	—
AS*S9548Z*****	51,024	46,411	44,194	35,635	28,138	—

90°F AMBIENT

MODEL NUMBER	SUCTION TEMPERATURE (SST)					
	30°F	25°F	20°F	10°F	0°F	-10°F
AS*R9440Z*****	4,018	3,591	3,352	2,569	1,891	1,312
AS*R9460Z*****	6,774	6,023	5,593	4,248	3,111	2,175
AS*R9480Z*****	8,329	7,497	7,059	5,551	4,260	3,179
AS*R9510Z*****	12,604	11,039	10,092	7,433	5,315	3,729
AS*R9512Z*****	17,273	15,395	14,321	10,885	7,907	5,378
AS*S9516Z*****	19,321	17,574	16,737	13,504	10,681	8,255
AS*S9520Z*****	21,976	19,991	19,052	15,436	12,330	—
AS*S9522Z*****	24,765	22,704	21,755	17,625	13,735	—
AS*S9524Z*****	33,791	30,759	29,278	23,465	18,202	13,471
AS*S9532Z*****	39,630	36,046	34,313	27,613	21,699	16,550
AS*S9540Z*****	47,334	43,028	40,945	32,962	25,976	19,960
AS*S9548Z*****	54,859	50,002	47,713	38,633	30,620	—

110°F AMBIENT

MODEL NUMBER	SUCTION TEMPERATURE (SST)					
	30°F	25°F	20°F	10°F	0°F	-10°F
AS*R9440Z*****	3,258	2,875	2,643	1,953	1,365	877
AS*R9460Z*****	5,237	4,602	4,220	3,123	2,230	1,538
AS*R9480Z*****	6,851	6,112	5,701	4,391	3,296	2,411
AS*R9510Z*****	9,411	8,012	7,084	4,783	3,019	1,783
AS*R9512Z*****	13,608	11,970	10,972	8,049	5,580	3,556
AS*S9516Z*****	16,434	14,866	14,078	11,228	8,785	—
AS*S9520Z*****	18,580	16,828	15,970	—	—	—
AS*S9522Z*****	20,892	19,088	18,222	—	—	—
AS*S9524Z*****	28,794	26,042	24,611	19,397	—	—
AS*S9532Z*****	34,126	30,866	29,208	23,203	17,978	—
AS*S9540Z*****	40,391	36,530	34,580	27,549	—	—
AS*S9548Z*****	47,189	42,820	40,675	32,637	—	—

95°F AMBIENT

MODEL NUMBER	SUCTION TEMPERATURE (SST)					
	30°F	25°F	20°F	10°F	0°F	-10°F
AS*R9440Z*****	3,828	3,412	3,174	2,415	1,759	1,204
AS*R9460Z*****	6,390	5,668	5,249	3,967	2,891	2,016
AS*R9480Z*****	7,959	7,151	6,719	5,261	4,018	2,987
AS*R9510Z*****	11,806	10,282	9,339	6,770	4,741	3,242
AS*R9512Z*****	16,356	14,539	13,484	10,176	7,326	4,923
AS*S9516Z*****	18,599	16,897	16,072	12,935	10,206	7,876
AS*S9520Z*****	21,127	19,200	18,281	14,789	11,806	—
AS*S9522Z*****	23,797	21,800	20,872	16,879	13,125	—
AS*S9524Z*****	32,542	29,580	28,111	22,448	17,333	—
AS*S9532Z*****	38,254	34,751	33,037	26,510	20,769	15,791
AS*S9540Z*****	45,598	41,403	39,354	31,609	24,859	—
AS*S9548Z*****	52,942	48,207	45,954	37,134	29,379	—

Medium Temperature Evaporating Range Temperature is -10°F to +45°F.

All capacities are listed in Btu/h.

All capacity data is at dew point conditions.

≤ 20°F is 40°F Return Gas | > 20°F is 65°F Return Gas | Sub cooling 5°F.

Performance data subject to change without notice.

MEDIUM TEMPERATURE | TUBE/FIN PERFORMANCE

CAPACITY TABLES (BTUH) - R-452A

80°F AMBIENT

MODEL NUMBER	SUCTION TEMPERATURE (SST)					
	30°F	25°F	20°F	10°F	0°F	-10°F
AS*R9440Z*****	4,467	4,066	3,879	3,119	2,443	1,847
AS*R9460Z*****	7,900	7,108	6,700	5,246	3,992	2,930
AS*R9480Z*****	9,794	8,991	8,639	6,998	5,433	3,936
AS*R9510Z*****	14,174	12,682	11,880	9,174	6,863	4,938
AS*R9512Z*****	19,848	17,889	16,876	13,194	9,933	7,083
AS*S9516Z*****	21,079	19,234	18,427	15,041	12,129	9,678
AS*S9520Z*****	25,702	23,286	22,183	18,029	14,708	12,202
AS*S9522Z*****	28,198	25,728	24,627	20,001	15,932	12,403
AS*S9524Z*****	37,923	34,614	33,134	26,870	21,304	16,409
AS*S9532Z*****	44,230	40,558	38,983	31,794	25,197	19,166
AS*S9540Z*****	52,038	47,492	45,474	36,966	29,490	23,013
AS*S9548Z*****	60,549	55,229	52,889	43,124	34,718	27,630

100°F AMBIENT

MODEL NUMBER	SUCTION TEMPERATURE (SST)					
	30°F	25°F	20°F	10°F	0°F	-10°F
AS*R9440Z*****	3,953	3,587	3,411	2,726	2,123	1,602
AS*R9460Z*****	6,355	5,668	5,294	4,067	3,034	2,194
AS*R9480Z*****	8,026	7,347	7,038	5,663	4,361	3,126
AS*R9510Z*****	11,015	9,686	8,895	6,540	4,575	2,995
AS*R9512Z*****	15,645	13,951	13,008	9,897	7,201	4,911
AS*S9516Z*****	17,791	16,162	15,417	12,496	10,043	8,046
AS*S9520Z*****	22,450	20,212	19,131	15,360	12,418	10,288
AS*S9522Z*****	23,467	21,347	20,381	16,505	13,179	—
AS*S9524Z*****	32,342	29,410	28,048	22,594	17,827	13,726
AS*S9532Z*****	37,866	34,622	33,182	26,913	21,227	16,100
AS*S9540Z*****	44,139	40,159	38,348	31,052	24,777	19,493
AS*S9548Z*****	51,456	46,792	44,692	36,332	29,317	23,611

90°F AMBIENT

MODEL NUMBER	SUCTION TEMPERATURE (SST)					
	30°F	25°F	20°F	10°F	0°F	-10°F
AS*R9440Z*****	4,210	3,826	3,645	2,922	2,283	1,725
AS*R9460Z*****	7,128	6,388	5,996	4,656	3,514	2,562
AS*R9480Z*****	8,910	8,169	7,839	6,331	4,897	3,531
AS*R9510Z*****	12,595	11,184	10,388	7,857	5,720	3,966
AS*R9512Z*****	17,747	15,920	14,942	11,545	8,567	5,996
AS*S9516Z*****	19,435	17,698	16,921	13,769	11,086	8,862
AS*S9520Z*****	24,076	21,749	20,656	16,694	13,563	11,245
AS*S9522Z*****	25,832	23,538	22,505	18,253	14,556	11,395
AS*S9524Z*****	35,132	32,012	30,591	24,732	19,565	15,068
AS*S9532Z*****	41,048	37,590	36,083	29,354	23,211	17,633
AS*S9540Z*****	48,089	43,826	41,911	34,009	27,133	21,253
AS*S9548Z*****	56,002	51,011	48,790	39,728	32,018	25,621

110°F AMBIENT

MODEL NUMBER	SUCTION TEMPERATURE (SST)					
	30°F	25°F	20°F	10°F	0°F	-10°F
AS*R9440Z*****	3,696	3,347	3,177	2,529	1,964	1,478
AS*R9460Z*****	5,582	4,948	4,591	3,476	2,556	1,826
AS*R9480Z*****	7,142	6,525	6,238	4,997	3,825	2,721
AS*R9510Z*****	9,435	8,187	7,403	5,222	3,432	2,023
AS*R9512Z*****	13,544	11,983	11,074	8,247	5,835	3,825
AS*S9516Z*****	16,147	14,625	13,913	11,223	9,000	7,231
AS*S9520Z*****	20,824	18,675	17,606	14,026	11,274	—
AS*S9522Z*****	21,101	19,157	18,259	14,758	—	—
AS*S9524Z*****	29,552	26,808	25,507	20,455	16,088	—
AS*S9532Z*****	34,684	31,655	30,283	24,474	19,242	—
AS*S9540Z*****	40,190	36,493	34,783	28,095	22,420	—
AS*S9548Z*****	46,909	42,573	40,594	32,936	26,617	—

95°F AMBIENT

MODEL NUMBER	SUCTION TEMPERATURE (SST)					
	30°F	25°F	20°F	10°F	0°F	-10°F
AS*R9440Z*****	4,082	3,706	3,528	2,824	2,203	1,663
AS*R9460Z*****	6,741	6,028	5,646	4,361	3,274	2,378
AS*R9480Z*****	8,468	7,758	7,438	5,997	4,629	3,328
AS*R9510Z*****	11,805	10,435	9,641	7,198	5,148	3,480
AS*R9512Z*****	16,696	14,936	13,975	10,721	7,884	5,454
AS*S9516Z*****	18,613	16,930	16,169	13,132	10,565	8,455
AS*S9520Z*****	23,263	20,981	19,894	16,028	12,991	10,766
AS*S9522Z*****	24,650	22,443	21,443	17,380	13,867	10,891
AS*S9524Z*****	33,737	30,711	29,320	23,663	18,696	14,397
AS*S9532Z*****	39,457	36,106	34,633	28,134	22,219	16,866
AS*S9540Z*****	46,114	41,992	40,129	32,530	25,955	20,372
AS*S9548Z*****	53,729	48,901	46,741	38,031	30,667	24,617

Medium Temperature Evaporating Range Temperature is -10°F to +45°F.

All capacities are listed in Btu/h.

All capacity data is at dew point conditions.

≤ 20°F is 40°F Return Gas | > 20°F is 65°F Return Gas | Sub cooling 5°F.

Performance data subject to change without notice.



LOW TEMPERATURE | MICROCHANNEL PERFORMANCE

CAPACITY TABLES (BTUH) - R-404A

80°F AMBIENT

MODEL NUMBER	SUCTION TEMPERATURE (SST)					
	-30°F	-25°F	-20°F	-10°F	0°F	10°F
AS*R2430Z*****	1,910	2,330	2,750	3,720	4,770	5,490
AS*R2440Z*****	2,190	2,675	3,150	4,110	5,000	5,880
AS*R2450Z*****	3,328	3,946	4,551	5,724	6,849	7,926
AS*R2460Z*****	3,610	4,525	5,490	7,285	9,600	11,840
AS*R2480Z*****	5,950	7,200	8,450	11,150	14,000	16,950
AS*S2480Z*****	6,582	7,417	8,321	10,338	12,634	15,209
AS*R2510Z*****	7,209	8,546	9,915	12,744	15,696	18,772
AS*S2510Z*****	7,944	8,924	9,976	12,298	14,911	17,812
AS*S2512Z*****	8,739	9,807	10,960	13,525	16,432	19,683
AS*S2514Z*****	10,603	11,931	13,355	16,491	20,014	23,921
AS*S2520Z*****	15,212	17,240	19,457	24,461	30,226	36,749
AS*S2524Z*****	17,542	20,069	22,769	28,683	35,285	42,574

100°F AMBIENT

MODEL NUMBER	SUCTION TEMPERATURE (SST)					
	-30°F	-25°F	-20°F	-10°F	0°F	10°F
AS*R2430Z*****	1,120	1,470	1,850	2,700	3,610	4,610
AS*R2440Z*****	1,520	1,965	2,410	3,300	4,140	4,950
AS*R2450Z*****	2,617	3,130	3,631	4,597	5,515	6,383
AS*R2460Z*****	2,750	3,175	3,940	5,580	7,280	9,300
AS*R2480Z*****	4,050	5,115	6,200	8,518	10,915	13,543
AS*S2480Z*****	5,519	6,185	6,921	8,602	10,562	12,800
AS*R2510Z*****	4,825	6,003	7,213	9,724	12,358	15,116
AS*S2510Z*****	6,668	7,467	8,338	10,298	12,548	15,088
AS*S2512Z*****	7,265	8,101	9,024	11,126	13,571	16,359
AS*S2514Z*****	8,680	9,678	10,772	13,250	16,113	19,362
AS*S2520Z*****	12,574	14,141	15,898	19,981	24,823	30,424
AS*S2524Z*****	14,814	16,754	18,866	23,606	29,032	35,146

90°F AMBIENT

MODEL NUMBER	SUCTION TEMPERATURE (SST)					
	-30°F	-25°F	-20°F	-10°F	0°F	10°F
AS*R2430Z*****	1,520	1,910	2,325	3,120	4,200	5,250
AS*R2440Z*****	1,820	2,325	2,790	3,685	4,585	5,420
AS*R2450Z*****	2,972	3,538	4,091	5,161	6,182	7,154
AS*R2460Z*****	3,050	3,875	4,690	6,493	8,415	10,600
AS*R2480Z*****	5,020	6,150	7,350	9,840	12,450	15,250
AS*S2480Z*****	6,051	6,801	7,621	9,374	11,598	14,005
AS*R2510Z*****	6,017	7,275	8,564	11,234	14,027	16,944
AS*S2510Z*****	7,306	8,196	9,157	11,298	13,729	16,450
AS*S2512Z*****	8,002	8,954	9,992	12,290	15,002	18,021
AS*S2514Z*****	9,641	10,804	12,063	14,676	18,064	21,642
AS*S2520Z*****	13,893	15,691	17,678	22,221	27,524	33,587
AS*S2524Z*****	16,178	18,412	20,818	26,144	32,159	38,860

110°F AMBIENT

MODEL NUMBER	SUCTION TEMPERATURE (SST)					
	-30°F	-25°F	-20°F	-10°F	0°F	10°F
AS*R2430Z*****	720	1,050	1,400	2,155	3,010	3,975
AS*R2440Z*****	1,175	1,610	2,050	2,900	3,710	4,490
AS*R2450Z*****	2,261	2,723	3,172	4,034	4,847	5,612
AS*R2460Z*****	2,275	2,775	3,270	4,590	6,125	7,810
AS*R2480Z*****	—	4,030	5,050	7,145	9,425	11,850
AS*S2480Z*****	4,987	5,570	6,221	7,734	9,526	11,596
AS*R2510Z*****	—	—	5,862	8,214	10,689	13,287
AS*S2510Z*****	6,031	6,739	7,519	9,298	11,367	13,726
AS*S2512Z*****	6,527	7,248	8,055	9,926	12,140	14,697
AS*S2514Z*****	7,718	8,552	9,481	11,630	14,163	17,082
AS*S2520Z*****	11,256	12,592	14,119	17,740	22,121	27,262
AS*S2524Z*****	13,450	15,097	16,915	21,067	25,906	31,432

95°F AMBIENT

MODEL NUMBER	SUCTION TEMPERATURE (SST)					
	-30°F	-25°F	-20°F	-10°F	0°F	10°F
AS*R2430Z*****	1,315	1,690	2,085	2,860	3,900	4,940
AS*R2440Z*****	1,690	2,140	2,610	3,377	4,350	5,185
AS*R2450Z*****	2,795	3,334	3,861	4,879	5,848	6,769
AS*R2460Z*****	2,860	3,515	4,310	6,200	7,875	10,100
AS*R2480Z*****	4,540	5,600	6,750	9,150	11,170	14,420
AS*S2480Z*****	5,785	6,493	7,350	9,140	11,080	13,403
AS*R2510Z*****	5,421	6,639	7,888	10,479	13,192	16,030
AS*S2510Z*****	6,987	7,831	8,710	10,958	13,139	15,769
AS*S2512Z*****	7,633	8,528	9,600	11,746	14,286	17,190
AS*S2514Z*****	9,161	10,241	11,521	14,164	17,088	20,502
AS*S2520Z*****	13,234	14,916	16,787	21,101	26,173	32,006
AS*S2524Z*****	15,496	17,583	19,842	24,875	30,595	37,003

*Return gas 40°F evaporator, Sub Cooling 5°F.

Performance data subject to change without notice.

NOTE: When comparing capacity ratings from Tecumseh ARGUS to another manufacturer that is using a return gas temperature of 65°F, simply multiply the Tecumseh ARGUS capacity rating by 1.1 to ensure you are selecting and comparing equipment properly.

LOW TEMPERATURE | MICROCHANNEL PERFORMANCE

CAPACITY TABLES (BTUH) - R-448A / R-449A

80°F AMBIENT

MODEL NUMBER	SUCTION TEMPERATURE (SST)					
	-30°F	-25°F	-20°F	-10°F	0°F	10°F
AS*R2430Z*****	1,439	1,807	2,200	3,021	3,907	4,855
AS*R2440Z*****	1,610	1,952	2,353	3,290	4,425	5,755
AS*R2450Z*****	2,170	2,615	3,111	4,257	5,609	7,168
AS*R2460Z*****	2,767	3,513	4,345	6,181	8,283	10,648
AS*R2480Z*****	4,304	5,482	6,721	9,518	12,649	16,115
AS*S2480Z*****	5,667	6,456	7,309	9,202	11,346	13,741
AS*R2510Z*****	5,215	6,952	8,613	11,708	14,499	16,988
AS*S2510Z*****	6,812	7,739	8,739	10,958	13,471	16,276
AS*S2512Z*****	7,519	8,572	9,700	12,183	14,969	18,058
AS*S2514Z*****	8,948	10,163	11,465	14,332	17,548	21,113
AS*S2520Z*****	12,921	14,772	16,729	20,968	25,635	30,733
AS*S2524Z*****	14,794	16,865	19,147	24,339	30,371	37,242

100°F AMBIENT

MODEL NUMBER	SUCTION TEMPERATURE (SST)					
	-30°F	-25°F	-20°F	-10°F	0°F	10°F
AS*R2430Z*****	831	1,188	1,565	2,374	3,237	4,173
AS*R2440Z*****	1,116	1,377	1,692	2,480	3,453	4,633
AS*R2450Z*****	1,734	2,070	2,457	3,386	4,521	5,862
AS*R2460Z*****	1,763	2,124	2,852	4,519	6,435	8,630
AS*R2480Z*****	2,868	3,861	4,946	7,330	10,076	13,131
AS*S2480Z*****	5,024	5,691	6,420	8,068	9,967	12,117
AS*R2510Z*****	—	—	6,098	8,486	10,569	12,350
AS*S2510Z*****	5,890	6,671	7,526	9,454	11,675	14,190
AS*S2512Z*****	6,591	7,455	8,394	10,499	12,906	15,617
AS*S2514Z*****	7,777	8,748	9,806	12,185	14,913	17,990
AS*S2520Z*****	11,307	12,903	14,607	18,336	22,496	27,085
AS*S2524Z*****	13,063	14,813	16,773	21,322	26,712	32,941

90°F AMBIENT

MODEL NUMBER	SUCTION TEMPERATURE (SST)					
	-30°F	-25°F	-20°F	-10°F	0°F	10°F
AS*R2430Z*****	1,139	1,507	1,939	2,760	3,579	4,519
AS*R2440Z*****	1,367	1,676	2,084	2,952	3,947	5,200
AS*R2450Z*****	1,952	2,342	2,784	3,821	5,065	6,515
AS*R2460Z*****	2,125	2,837	3,707	5,474	7,372	9,649
AS*R2480Z*****	3,593	4,685	5,833	8,407	11,339	14,602
AS*S2480Z*****	5,345	6,073	6,865	8,683	10,656	12,929
AS*R2510Z*****	4,311	5,871	7,356	10,097	12,534	14,669
AS*S2510Z*****	6,351	7,205	8,132	10,307	12,573	15,233
AS*S2512Z*****	7,055	8,013	9,047	11,382	13,938	16,837
AS*S2514Z*****	8,363	9,456	10,636	13,621	16,230	19,552
AS*S2520Z*****	12,113	13,837	15,668	19,653	24,065	28,909
AS*S2524Z*****	13,929	15,839	17,959	22,830	28,541	35,092

110°F AMBIENT

MODEL NUMBER	SUCTION TEMPERATURE (SST)					
	-30°F	-25°F	-20°F	-10°F	0°F	10°F
AS*R2430Z*****	524	884	1,251	2,036	2,913	3,831
AS*R2440Z*****	864	1,107	1,420	2,142	3,097	4,232
AS*R2450Z*****	1,516	1,797	2,130	2,950	3,976	5,209
AS*R2460Z*****	1,551	1,797	2,427	3,661	4,645	7,618
AS*R2480Z*****	—	—	—	6,264	8,812	11,668
AS*S2480Z*****	4,702	5,308	5,976	7,502	9,278	11,305
AS*R2510Z*****	—	—	—	—	8,904	10,031
AS*S2510Z*****	5,429	6,137	6,919	8,702	10,778	13,147
AS*S2512Z*****	6,128	6,896	7,741	9,656	11,875	14,396
AS*S2514Z*****	7,191	8,041	8,977	11,112	13,596	16,429
AS*S2520Z*****	10,499	11,968	13,545	17,021	20,926	25,262
AS*S2524Z*****	12,197	13,787	15,586	19,814	24,882	30,790

*Return gas 40°F evaporator, Sub Cooling 5°F.

Performance data subject to change without notice.

NOTE: When comparing capacity ratings from Tecumseh ARGUS to another manufacturer that is using a return gas temperature of 65°F, simply multiply the Tecumseh ARGUS capacity rating by 1.1 to ensure you are selecting and comparing equipment properly.

95°F AMBIENT

MODEL NUMBER	SUCTION TEMPERATURE (SST)					
	-30°F	-25°F	-20°F	-10°F	0°F	10°F
AS*R2430Z*****	983	1,345	1,722	2,575	3,410	4,335
AS*R2440Z*****	1,239	1,524	1,857	2,724	3,701	4,904
AS*R2450Z*****	1,843	2,206	2,620	3,603	4,793	6,188
AS*R2460Z*****	1,973	2,476	3,222	5,011	6,906	9,116
AS*R2480Z*****	3,260	4,289	5,405	7,875	10,706	13,871
AS*S2480Z*****	5,184	5,882	6,937	8,382	10,312	12,523
AS*R2510Z*****	3,859	5,331	6,727	9,291	11,552	13,509
AS*S2510Z*****	6,121	6,938	7,836	10,073	12,124	14,711
AS*S2512Z*****	6,823	7,734	8,984	11,220	13,422	16,227
AS*S2514Z*****	8,070	9,102	10,700	13,309	15,572	18,771
AS*S2520Z*****	11,710	13,370	15,137	18,994	23,281	27,997
AS*S2524Z*****	13,495	15,327	17,367	22,076	27,626	34,016

LOW TEMPERATURE | MICROCHANNEL PERFORMANCE

CAPACITY TABLES (BTUH) - R-452A

80°F AMBIENT

MODEL NUMBER	SUCTION TEMPERATURE (SST)					
	-30°F	-25°F	-20°F	-10°F	0°F	10°F
AS*R2430Z*****	1,650	2,100	2,550	3,500	4,415	5,325
AS*R2440Z*****	1,678	2,140	2,601	3,523	4,443	5,362
AS*R2450Z*****	2,883	3,309	3,783	4,876	6,162	7,641
AS*R2460Z*****	3,150	3,850	4,600	6,350	8,450	10,900
AS*R2480Z*****	4,850	6,150	7,450	10,200	13,050	16,000
AS*S2480Z*****	6,061	6,867	7,742	9,700	11,935	14,448
AS*R2510Z*****	6,118	7,411	8,735	11,477	14,343	17,334
AS*S2510Z*****	7,312	8,245	9,246	11,455	13,938	16,693
AS*S2512Z*****	8,071	9,132	10,263	12,736	15,488	18,521
AS*S2514Z*****	9,765	11,018	12,347	15,235	18,429	21,930
AS*S2520Z*****	14,078	16,009	18,132	22,954	28,545	34,903
AS*S2524Z*****	14,882	17,295	19,893	25,645	32,136	39,365

100°F AMBIENT

MODEL NUMBER	SUCTION TEMPERATURE (SST)					
	-30°F	-25°F	-20°F	-10°F	0°F	10°F
AS*R2430Z*****	950	1,350	1,740	2,520	3,310	4,100
AS*R2440Z*****	995	1,391	1,787	2,578	3,368	4,156
AS*R2450Z*****	2,164	2,508	2,900	3,828	4,950	6,264
AS*R2460Z*****	2,200	2,550	2,950	4,450	6,275	8,450
AS*R2480Z*****	3,135	4,250	5,400	7,735	10,200	12,740
AS*S2480Z*****	5,127	5,792	6,525	8,201	10,154	12,385
AS*R2510Z*****	—	5,107	6,305	8,794	11,409	14,148
AS*S2510Z*****	6,153	6,923	7,763	9,646	11,802	14,229
AS*S2512Z*****	6,885	7,737	8,658	10,712	13,046	15,660
AS*S2514Z*****	8,180	9,175	10,248	12,622	15,302	18,288
AS*S2520Z*****	11,744	13,258	14,964	18,955	23,713	29,240
AS*S2524Z*****	12,680	14,690	16,886	21,830	27,514	33,938

90°F AMBIENT

MODEL NUMBER	SUCTION TEMPERATURE (SST)					
	-30°F	-25°F	-20°F	-10°F	0°F	10°F
AS*R2430Z*****	1,300	1,725	2,050	2,900	3,850	4,700
AS*R2440Z*****	1,337	1,766	2,194	3,050	3,905	4,759
AS*R2450Z*****	2,523	2,908	3,341	4,352	5,556	6,953
AS*R2460Z*****	2,570	3,075	3,750	5,420	7,350	9,650
AS*R2480Z*****	4,000	5,215	6,425	8,950	11,600	14,350
AS*S2480Z*****	5,594	6,329	7,133	8,950	11,045	13,416
AS*R2510Z*****	5,029	6,259	7,520	10,135	12,876	15,741
AS*S2510Z*****	6,732	7,584	8,504	10,617	12,870	15,463
AS*S2512Z*****	7,478	8,434	9,461	11,724	14,267	17,091
AS*S2514Z*****	8,973	10,097	11,297	13,928	16,865	20,109
AS*S2520Z*****	12,910	14,634	16,548	20,954	26,129	32,072
AS*S2524Z*****	13,781	15,993	18,389	23,738	29,825	36,652

110°F AMBIENT

MODEL NUMBER	SUCTION TEMPERATURE (SST)					
	-30°F	-25°F	-20°F	-10°F	0°F	10°F
AS*R2430Z*****	610	965	1,350	2,050	2,800	3,500
AS*R2440Z*****	653	1,017	1,380	2,106	2,831	3,554
AS*R2450Z*****	1,804	2,107	2,458	3,304	4,344	5,576
AS*R2460Z*****	1,875	2,150	2,525	3,475	5,170	7,225
AS*R2480Z*****	—	—	4,379	6,533	8,798	11,140
AS*S2480Z*****	4,660	5,254	5,917	7,452	9,264	11,353
AS*R2510Z*****	—	—	—	7,453	9,941	12,554
AS*S2510Z*****	5,574	6,264	7,022	8,742	10,733	12,995
AS*S2512Z*****	6,292	7,039	7,856	9,700	11,825	14,230
AS*S2514Z*****	7,387	8,254	9,198	11,315	13,738	16,468
AS*S2520Z*****	10,576	11,883	13,381	16,955	21,297	26,408
AS*S2524Z*****	11,579	13,387	15,381	19,923	25,204	31,224

95°F AMBIENT

MODEL NUMBER	SUCTION TEMPERATURE (SST)					
	-30°F	-25°F	-20°F	-10°F	0°F	10°F
AS*R2430Z*****	1,125	1,525	1,850	2,675	3,600	4,425
AS*R2440Z*****	1,166	1,578	1,991	2,814	3,637	4,458
AS*R2450Z*****	2,344	2,708	3,121	4,090	5,253	6,609
AS*R2460Z*****	2,325	2,700	3,350	4,925	6,800	9,050
AS*R2480Z*****	3,600	4,750	5,930	8,350	10,900	13,550
AS*S2480Z*****	5,361	6,060	6,829	8,576	10,599	12,900
AS*R2510Z*****	4,485	5,683	6,913	9,465	12,142	14,944
AS*S2510Z*****	6,442	7,253	7,902	10,071	12,336	14,846
AS*S2512Z*****	7,181	8,085	9,060	11,218	13,657	16,376
AS*S2514Z*****	8,576	9,636	10,772	13,275	16,084	19,199
AS*S2520Z*****	12,327	13,945	15,757	19,954	24,921	30,655
AS*S2524Z*****	13,231	15,342	17,637	22,783	28,670	35,295

*Return gas 40°F evaporator, Sub Cooling 5°F.

Performance data subject to change without notice.

NOTE: When comparing capacity ratings from Tecumseh ARGUS to another manufacturer that is using a return gas temperature of 65°F, simply multiply the Tecumseh ARGUS capacity rating by 1.1 to ensure you are selecting and comparing equipment properly.

LOW TEMPERATURE | TUBE/FIN PERFORMANCE

CAPACITY TABLES (BTUH) - R-404A

80°F AMBIENT

MODEL NUMBER	SUCTION TEMPERATURE (SST)					
	-30°F	-25°F	-20°F	-10°F	0°F	10°F
AS*R2430Z*****	1,926	2,349	2,794	3,750	4,795	5,528
AS*R2440Z*****	2,209	2,704	3,190	4,134	5,043	5,715
AS*R2450Z*****	3,300	3,790	4,215	5,010	6,875	7,950
AS*R2460Z*****	3,589	4,496	5,438	7,423	9,544	11,801
AS*R2480Z*****	5,971	7,212	8,492	11,169	14,000	16,986
AS*S2480Z*****	6,595	7,431	8,337	10,358	12,658	15,238
AS*R2510Z*****	10,159	10,689	11,183	12,807	15,790	19,108
AS*S2510Z*****	7,904	8,879	9,926	12,237	14,836	17,723
AS*S2512Z*****	8,809	9,885	11,048	13,633	16,563	19,840
AS*S2514Z*****	10,624	11,955	13,382	16,524	20,054	23,969
AS*S2520Z*****	15,258	17,292	19,516	24,535	30,317	36,860
AS*S2524Z*****	17,386	19,890	22,566	28,427	34,970	42,194

100°F AMBIENT

MODEL NUMBER	SUCTION TEMPERATURE (SST)					
	-30°F	-25°F	-20°F	-10°F	0°F	10°F
AS*R2430Z*****	1,131	1,493	1,877	2,374	3,237	4,173
AS*R2440Z*****	1,537	1,999	2,453	2,480	3,453	4,633
AS*R2450Z*****	2,520	2,805	3,115	3,386	4,521	5,862
AS*R2460Z*****	2,559	3,146	3,897	4,519	6,435	8,630
AS*R2480Z*****	4,070	5,124	6,216	7,330	10,076	13,131
AS*S2480Z*****	5,529	6,197	6,934	8,068	9,967	12,117
AS*R2510Z*****	5,970	6,419	7,143	8,486	10,569	12,350
AS*S2510Z*****	6,635	7,430	8,296	9,454	11,675	14,190
AS*S2512Z*****	7,323	8,166	9,096	10,499	12,906	15,617
AS*S2514Z*****	8,697	9,697	10,794	12,185	14,913	17,990
AS*S2520Z*****	12,612	14,184	15,946	18,336	22,496	27,085
AS*S2524Z*****	14,682	16,605	18,698	21,322	26,712	32,941

90°F AMBIENT

MODEL NUMBER	SUCTION TEMPERATURE (SST)					
	-30°F	-25°F	-20°F	-10°F	0°F	10°F
AS*R2430Z*****	1,528	1,921	2,190	3,080	4,215	5,287
AS*R2440Z*****	1,873	2,352	2,821	3,733	4,610	5,450
AS*R2450Z*****	2,950	3,210	3,460	4,650	6,155	7,100
AS*R2460Z*****	3,009	3,821	4,667	6,462	8,392	10,459
AS*R2480Z*****	5,020	6,168	7,354	9,843	12,487	15,286
AS*S2480Z*****	6,062	6,814	7,635	9,392	11,620	14,032
AS*R2510Z*****	8,064	8,555	9,064	11,277	13,740	17,177
AS*S2510Z*****	7,269	8,155	9,111	11,242	13,660	16,368
AS*S2512Z*****	8,066	9,026	10,072	12,388	15,122	18,165
AS*S2514Z*****	9,660	10,826	12,087	14,705	18,100	21,685
AS*S2520Z*****	13,935	15,738	17,731	22,288	27,607	33,688
AS*S2524Z*****	16,034	18,248	20,632	25,911	31,872	38,513

110°F AMBIENT

MODEL NUMBER	SUCTION TEMPERATURE (SST)					
	-30°F	-25°F	-20°F	-10°F	0°F	10°F
AS*R2430Z*****	734	1,065	1,419	2,192	3,054	4,005
AS*R2440Z*****	1,201	1,647	2,084	2,932	3,743	4,519
AS*R2450Z*****	2,250	2,690	3,040	4,010	4,800	5,590
AS*R2460Z*****	2,269	2,770	3,126	4,540	6,089	7,775
AS*R2480Z*****	—	4,080	5,078	7,192	9,461	11,884
AS*S2480Z*****	4,996	5,581	6,233	7,749	9,544	11,618
AS*R2510Z*****	—	4,488	5,211	6,938	9,639	13,315
AS*S2510Z*****	6,001	6,705	7,481	9,252	11,310	13,657
AS*S2512Z*****	6,579	7,306	8,119	10,005	12,237	14,815
AS*S2514Z*****	7,733	8,569	9,500	11,653	14,191	17,116
AS*S2520Z*****	11,290	12,630	14,161	17,793	22,188	27,344
AS*S2524Z*****	13,330	14,962	16,764	20,879	25,675	31,152

*Return gas 40°F evaporator, Sub Cooling 5°F.

Performance data subject to change without notice.

NOTE: When comparing capacity ratings from Tecumseh ARGUS to another manufacturer that is using a return gas temperature of 65°F, simply multiply the Tecumseh ARGUS capacity rating by 1.1 to ensure you are selecting and comparing equipment properly.

95°F AMBIENT

MODEL NUMBER	SUCTION TEMPERATURE (SST)					
	-30°F	-25°F	-20°F	-10°F	0°F	10°F
AS*R2430Z*****	1,330	1,707	2,060	2,870	3,925	4,966
AS*R2440Z*****	1,705	2,176	2,637	3,533	4,393	5,217
AS*R2450Z*****	2,760	3,010	3,275	4,400	5,810	6,715
AS*R2460Z*****	2,795	3,483	4,450	6,050	7,816	9,788
AS*R2480Z*****	4,545	5,646	6,785	9,180	11,730	14,435
AS*S2480Z*****	5,796	6,505	7,364	9,157	11,101	13,428
AS*R2510Z*****	7,017	7,486	8,232	10,192	12,715	16,211
AS*S2510Z*****	6,952	7,792	8,666	10,903	13,073	15,690
AS*S2512Z*****	7,694	8,596	9,677	11,840	14,400	17,328
AS*S2514Z*****	9,179	10,261	11,544	14,192	17,122	20,543
AS*S2520Z*****	13,274	14,961	16,838	21,164	26,252	32,102
AS*S2524Z*****	15,358	17,426	19,665	24,653	30,322	36,673

LOW TEMPERATURE | TUBE/FIN PERFORMANCE

CAPACITY TABLES (BTUH) - R-448A / R-449A

80°F AMBIENT

MODEL NUMBER	SUCTION TEMPERATURE (SST)					
	-30°F	-25°F	-20°F	-10°F	0°F	10°F
AS*R2430Z*****	1,447	1,821	2,210	3,036	3,925	4,877
AS*R2440Z*****	1,619	1,967	2,364	3,306	4,445	5,781
AS*R2450Z*****	2,183	2,636	3,125	4,278	5,634	7,200
AS*R2460Z*****	2,783	3,541	4,365	6,211	8,321	10,695
AS*R2480Z*****	4,316	5,490	6,750	9,530	12,654	16,124
AS*S2480Z*****	5,678	6,469	7,324	9,220	11,369	13,768
AS*R2510Z*****	7,349	8,695	9,715	11,766	14,586	17,292
AS*S2510Z*****	6,778	7,700	8,695	10,903	13,404	16,195
AS*S2512Z*****	7,369	8,401	9,506	11,939	14,670	17,697
AS*S2514Z*****	8,921	10,133	11,431	14,289	17,495	21,050
AS*S2520Z*****	12,831	14,669	16,613	20,822	25,457	30,519
AS*S2524Z*****	14,575	16,616	18,864	23,979	29,922	36,692

100°F AMBIENT

MODEL NUMBER	SUCTION TEMPERATURE (SST)					
	-30°F	-25°F	-20°F	-10°F	0°F	10°F
AS*R2430Z*****	837	1,201	1,581	2,388	3,257	4,190
AS*R2440Z*****	1,124	1,392	1,710	2,494	3,474	4,652
AS*R2450Z*****	1,747	2,092	2,482	3,405	4,548	5,886
AS*R2460Z*****	1,776	2,147	2,881	4,545	6,474	8,666
AS*R2480Z*****	2,908	3,890	4,958	7,353	10,093	13,179
AS*S2480Z*****	5,034	5,702	6,433	8,084	9,987	12,141
AS*R2510Z*****	—	—	6,039	7,948	9,998	12,456
AS*S2510Z*****	5,861	6,638	7,488	9,407	11,617	14,119
AS*S2512Z*****	6,459	7,306	8,226	10,289	12,648	15,305
AS*S2514Z*****	7,754	8,722	9,777	12,148	14,868	17,936
AS*S2520Z*****	11,228	12,813	14,505	18,209	22,340	26,897
AS*S2524Z*****	12,870	14,594	16,525	21,007	26,317	32,454

90°F AMBIENT

MODEL NUMBER	SUCTION TEMPERATURE (SST)					
	-30°F	-25°F	-20°F	-10°F	0°F	10°F
AS*R2430Z*****	1,142	1,511	1,895	2,712	3,591	4,533
AS*R2440Z*****	1,371	1,680	2,037	2,900	3,960	5,216
AS*R2450Z*****	1,957	2,348	2,721	3,754	5,082	6,536
AS*R2460Z*****	2,131	2,844	3,623	5,378	7,397	9,680
AS*R2480Z*****	3,612	4,690	5,854	8,441	11,374	14,651
AS*S2480Z*****	5,356	6,085	6,879	8,700	10,677	12,955
AS*R2510Z*****	5,778	6,904	7,785	10,136	12,278	14,871
AS*S2510Z*****	6,319	7,169	8,091	10,255	12,510	15,157
AS*S2512Z*****	6,914	7,853	8,866	11,154	13,659	16,500
AS*S2514Z*****	8,338	9,428	10,604	13,580	16,181	19,493
AS*S2520Z*****	12,029	13,741	15,559	19,516	23,898	28,708
AS*S2524Z*****	13,723	15,605	17,694	22,493	28,119	34,573

110°F AMBIENT

MODEL NUMBER	SUCTION TEMPERATURE (SST)					
	-30°F	-25°F	-20°F	-10°F	0°F	10°F
AS*R2430Z*****	532	892	1,267	2,064	2,924	3,847
AS*R2440Z*****	876	1,116	1,438	2,172	3,109	4,250
AS*R2450Z*****	1,538	1,812	2,158	2,991	3,991	5,231
AS*R2460Z*****	1,573	1,813	2,459	3,712	4,662	7,651
AS*R2480Z*****	—	—	—	6,264	8,812	11,706
AS*S2480Z*****	4,711	5,319	5,988	7,517	9,297	11,328
AS*R2510Z*****	—	—	—	—	8,029	10,052
AS*S2510Z*****	5,402	6,106	6,884	8,658	10,724	13,081
AS*S2512Z*****	6,005	6,758	7,586	9,463	11,638	14,108
AS*S2514Z*****	7,169	8,017	8,950	11,079	13,555	16,380
AS*S2520Z*****	10,426	11,885	13,451	16,903	20,781	25,086
AS*S2524Z*****	12,017	13,583	15,356	19,521	24,514	30,335

95°F AMBIENT

MODEL NUMBER	SUCTION TEMPERATURE (SST)					
	-30°F	-25°F	-20°F	-10°F	0°F	10°F
AS*R2430Z*****	990	1,356	1,738	2,550	3,424	4,362
AS*R2440Z*****	1,247	1,536	1,874	2,697	3,717	4,934
AS*R2450Z*****	1,856	2,224	2,644	3,568	4,813	6,226
AS*R2460Z*****	1,987	2,496	3,252	4,962	6,935	9,173
AS*R2480Z*****	3,260	4,290	5,406	7,897	10,733	13,915
AS*S2480Z*****	5,194	5,894	6,951	8,399	10,333	12,548
AS*R2510Z*****	4,995	6,011	7,021	9,037	11,134	13,662
AS*S2510Z*****	6,090	6,903	7,797	10,023	12,063	14,637
AS*S2512Z*****	6,687	7,579	8,804	10,996	13,154	15,902
AS*S2514Z*****	8,046	9,075	10,668	13,269	15,525	18,715
AS*S2520Z*****	11,629	13,277	15,032	18,862	23,119	27,802
AS*S2524Z*****	13,296	15,100	17,110	21,750	27,218	33,513

*Return gas 40°F evaporator, Sub Cooling 5°F.

Performance data subject to change without notice.

NOTE: When comparing capacity ratings from Tecumseh ARGUS to another manufacturer that is using a return gas temperature of 65°F, simply multiply the Tecumseh ARGUS capacity rating by 1.1 to ensure you are selecting and comparing equipment properly.

LOW TEMPERATURE | TUBE/FIN PERFORMANCE

CAPACITY TABLES (BTUH) - R-452A

80°F AMBIENT

MODEL NUMBER	SUCTION TEMPERATURE (SST)					
	-30°F	-25°F	-20°F	-10°F	0°F	10°F
AS*R2430Z*****	1,678	2,140	2,601	3,523	4,443	5,528
AS*R2440Z*****	1,690	2,170	2,625	3,550	4,480	5,715
AS*R2450Z*****	2,900	3,335	3,800	4,900	6,190	7,950
AS*R2460Z*****	3,211	3,887	4,648	6,419	8,525	11,801
AS*R2480Z*****	4,864	6,159	7,482	10,213	13,055	16,986
AS*S2480Z*****	6,073	6,881	7,757	9,719	11,959	15,238
AS*R2510Z*****	8,622	9,269	9,852	11,533	14,429	19,108
AS*S2510Z*****	7,276	8,203	9,200	11,398	13,868	17,723
AS*S2512Z*****	7,910	8,949	10,058	12,481	15,178	19,840
AS*S2514Z*****	9,736	10,985	12,310	15,189	18,374	23,969
AS*S2520Z*****	13,952	15,866	17,970	22,749	28,290	36,860
AS*S2524Z*****	14,749	17,141	19,716	25,416	31,849	42,194

100°F AMBIENT

MODEL NUMBER	SUCTION TEMPERATURE (SST)					
	-30°F	-25°F	-20°F	-10°F	0°F	10°F
AS*R2430Z*****	995	1,391	1,787	2,578	3,368	4,156
AS*R2440Z*****	1,090	1,420	1,795	2,595	3,415	4,200
AS*R2450Z*****	2,180	2,535	2,930	3,850	4,980	6,290
AS*R2460Z*****	2,222	2,564	2,989	4,489	6,324	8,492
AS*R2480Z*****	3,179	4,282	5,413	7,759	10,217	12,787
AS*S2480Z*****	5,137	5,804	6,538	8,217	10,174	12,410
AS*R2510Z*****	—	5,461	6,244	8,236	10,792	14,270
AS*S2510Z*****	6,122	6,889	7,724	9,598	11,743	14,158
AS*S2512Z*****	6,747	7,582	8,485	10,498	12,785	15,347
AS*S2514Z*****	8,155	9,147	10,217	12,584	15,256	18,233
AS*S2520Z*****	11,639	13,140	14,831	18,786	23,501	28,979
AS*S2524Z*****	12,567	14,559	16,735	21,635	27,269	33,635

90°F AMBIENT

MODEL NUMBER	SUCTION TEMPERATURE (SST)					
	-30°F	-25°F	-20°F	-10°F	0°F	10°F
AS*R2430Z*****	1,337	1,766	2,094	2,950	3,905	4,759
AS*R2440Z*****	1,385	1,790	2,220	3,080	3,945	4,900
AS*R2450Z*****	2,530	2,915	3,265	4,276	5,575	6,975
AS*R2460Z*****	2,516	3,126	3,818	5,454	7,424	9,728
AS*R2480Z*****	4,021	5,221	6,448	8,986	11,636	14,398
AS*S2480Z*****	5,605	6,342	7,147	8,968	11,067	13,443
AS*R2510Z*****	6,740	7,360	7,959	10,174	12,613	15,957
AS*S2510Z*****	6,698	7,546	8,462	10,564	12,805	15,385
AS*S2512Z*****	7,328	8,265	9,272	11,490	13,982	16,749
AS*S2514Z*****	8,946	10,067	11,263	13,886	16,814	20,049
AS*S2520Z*****	12,795	14,503	16,400	20,767	25,896	31,786
AS*S2524Z*****	13,658	15,850	18,225	23,526	29,559	36,325

110°F AMBIENT

MODEL NUMBER	SUCTION TEMPERATURE (SST)					
	-30°F	-25°F	-20°F	-10°F	0°F	10°F
AS*R2430Z*****	653	1,017	1,380	2,106	2,831	3,554
AS*R2440Z*****	750	1,050	1,410	2,140	2,900	3,775
AS*R2450Z*****	1,830	2,125	2,490	3,350	4,360	5,600
AS*R2460Z*****	1,928	2,202	2,559	3,524	5,223	7,257
AS*R2480Z*****	—	—	4,379	6,533	8,798	11,176
AS*S2480Z*****	4,669	5,265	5,929	7,467	9,283	11,376
AS*R2510Z*****	—	—	—	6,295	8,964	12,580
AS*S2510Z*****	5,546	6,233	6,987	8,698	10,679	12,930
AS*S2512Z*****	6,166	6,898	7,699	9,506	11,589	13,945
AS*S2514Z*****	7,365	8,229	9,170	11,281	13,697	16,419
AS*S2520Z*****	10,482	11,777	13,262	16,804	21,107	26,172
AS*S2524Z*****	11,476	13,268	15,244	19,745	24,979	30,945

*Return gas 40°F evaporator, Sub Cooling 5°F.

Performance data subject to change without notice.

NOTE: When comparing capacity ratings from Tecumseh ARGUS to another manufacturer that is using a return gas temperature of 65°F, simply multiply the Tecumseh ARGUS capacity rating by 1.1 to ensure you are selecting and comparing equipment properly.

95°F AMBIENT

MODEL NUMBER	SUCTION TEMPERATURE (SST)					
	-30°F	-25°F	-20°F	-10°F	0°F	10°F
AS*R2430Z*****	1,166	1,578	1,891	2,714	3,637	4,458
AS*R2440Z*****	1,200	1,590	2,000	2,850	3,665	4,610
AS*R2450Z*****	2,360	2,730	3,150	4,050	5,275	6,650
AS*R2460Z*****	2,369	2,745	3,404	4,972	6,874	9,110
AS*R2480Z*****	3,600	4,751	5,931	8,373	10,927	13,593
AS*S2480Z*****	5,372	6,072	6,843	8,593	10,620	12,926
AS*R2510Z*****	5,806	6,408	7,215	9,206	11,703	15,113
AS*S2510Z*****	6,410	7,217	7,863	10,021	12,275	14,772
AS*S2512Z*****	7,037	7,923	8,879	10,994	13,384	16,048
AS*S2514Z*****	8,550	9,607	10,740	13,235	16,036	19,141
AS*S2520Z*****	12,217	13,821	15,616	19,776	24,699	30,382
AS*S2524Z*****	13,113	15,205	17,480	22,580	28,414	34,980

PHYSICAL DATA – TUBE FIN

MODEL #	COMPRESSOR		CONNECTIONS (IN)		PUMP DOWN CAPACITY* (LBS) / 90% @ 90°F AMBIENT						NET WEIGHT (LBS)	CHASSIS SIZE
	MODEL #	HP (R404A)	LIQUID	SUCTION	R-404A		R-448A/R-449A		R-452A			
					STD	OVERSIZED	STD	OVERSIZED	STD	OVERSIZED		
AS*R2430Z*****	AK2430Z-NA3C	3/4	3/8" S	5/8" S	9.48	16.64	9.99	17.54	10.22	17.94	159	Small
AS*R2440Z*****	AK2436Z-NA3C	1.0	3/8" S	5/8" S	9.48	16.64	9.99	17.54	10.22	17.94	159	Small
AS*R2450Z*****	AK2448Z-NA3C	1-1/4	3/8" S	5/8" S	9.84	16.64	9.99	17.54	10.22	17.94	159	Small
AS*R2460Z*****	AWA2450***	1-1/2	3/8" S	5/8" S	9.84	16.64	9.99	17.54	10.22	17.94	196	Small
AS*R2480Z*****	AWA2480***	2.0	1/2" S	5/8" S	22.12	26.85	23.32	28.30	23.85	28.94	238	Medium
AS*S2480Z*****	VS2480Z-****	2.0	1/2" S	7/8" S	22.12	26.85	23.32	28.30	23.85	28.94	234	Medium
AS*R2510Z*****	AWA2510**	2.5	1/2" S	5/8" S	22.12	26.85	23.32	28.30	23.85	28.94	238	Medium
AS*S2510Z*****	VS2510Z-****	2.5	1/2" S	7/8" S	22.12	26.85	23.32	28.30	23.85	28.94	234	Medium
AS*S2512Z*****	VS2511Z****	3.0	1/2" S	7/8" S	22.12	26.85	23.32	28.30	23.85	28.94	234	Medium
AS*S2514Z*****	VS2513Z****	3.5	1/2" S	7/8" S	22.12	26.85	23.32	28.30	23.85	28.94	239	Medium
AS*S2520Z*****	VS2519Z****	5.0	1/2" S	1-1/8" S	40.65	—	42.85	—	43.82	—	347	Large
AS*S2524Z*****	VS2522Z****	6.0	1/2" S	1-1/8" S	40.65	—	42.85	—	43.82	—	347	Large
AS*R9440Z*****	AE4450Z****	1/2	3/8" S	3/8" S	8.20	15.36	8.65	16.19	8.84	16.56	150	Small
AS*R9460Z*****	AK4510Z****	3/4	3/8" S	5/8" S	9.48	16.64	9.99	17.54	10.22	17.94	159	Small
AS*R9480Z*****	AK4513Z****	1	3/8" S	5/8" S	9.48	16.64	9.99	17.54	10.22	17.94	159	Small
AS*R9510Z*****	AW9480***	1-1/4	3/8" S	5/8" S	22.12	26.85	23.32	28.30	23.85	28.94	234	Medium
AS*R9512Z*****	AWA9512***	1-1/2	3/8" S	5/8" S	22.12	26.85	23.32	28.30	23.85	28.94	234	Medium
AS*S9516Z*****	VSC9515***	2.0	1/2" S	7/8" S	22.12	26.85	23.32	28.30	23.85	28.94	234	Medium
AS*S9520Z*****	VSC9519***	2-1/2	1/2" S	7/8" S	22.12	26.85	23.32	28.30	23.85	28.94	234	Medium
AS*S9522Z*****	VSC9521***	2-4/5	1/2" S	7/8" S	22.12	26.85	23.32	28.30	23.85	28.94	234	Medium
AS*S9524Z*****	VSC9526***	3.0	1/2" S	7/8" S	36.26	—	38.22	—	39.09	—	347	Large
AS*S9532Z*****	VSC9530***	4.0	1/2" S	1-1/8" S	36.26	—	38.22	—	39.09	—	347	Large
AS*S9540Z*****	VSC9538***	5.0	1/2" S	1-1/8" S	40.65	—	42.85	—	43.82	—	347	Large
AS*S9548Z*****	VSC9545***	6.0	1/2" S	1-1/8" S	40.65	—	42.85	—	43.82	—	347	Large

* = Receiver + Coil Capacity

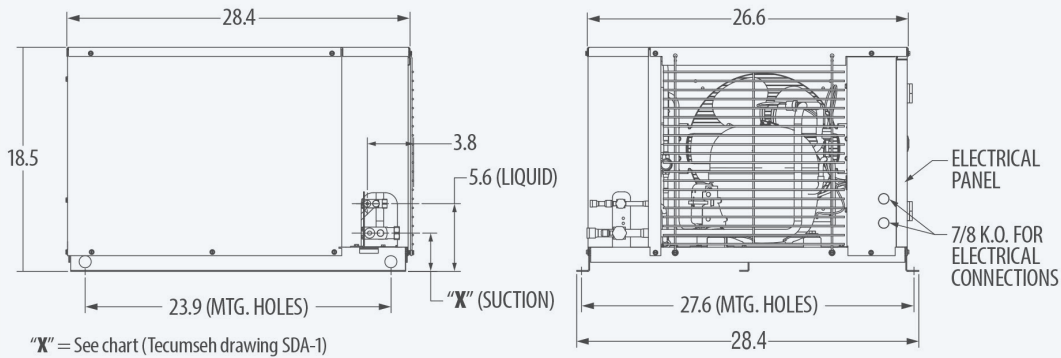
PHYSICAL DATA – MICROCHANNEL

MODEL #	COMPRESSOR		CONNECTIONS (IN)		PUMP DOWN CAPACITY* (LBS) / 90% @ 90°F AMBIENT						NET WEIGHT (LBS)	CHASSIS SIZE
	MODEL #	HP (R404A)	LIQUID	SUCTION	R-404A		R-448A/R-449A		R-452A			
					STD	OVERSIZED	STD	OVERSIZED	STD	OVERSIZED		
AS*R2430Z*****	AK2430Z-NA3C	3/4	3/8" S	5/8" S	9.48	15.20	9.99	16.02	10.22	16.38	159	Small
AS*R2440Z*****	AK2436Z-NA3C	1.0	3/8" S	5/8" S	9.48	15.20	9.99	16.02	10.22	16.38	159	Small
AS*R2450Z*****	AK2448Z-NA3C	1-1/4	3/8" S	5/8" S	9.84	15.20	9.99	16.02	10.22	16.38	159	Small
AS*R2460Z*****	AWA2450***	1-1/2	3/8" S	5/8" S	9.84	15.20	9.99	16.02	10.22	16.38	196	Small
AS*R2480Z*****	AWA2480***	2.0	1/2" S	5/8" S	22.12	23.08	23.32	24.33	23.85	24.89	238	Medium
AS*S2480Z*****	VS2480Z-****	2.0	1/2" S	7/8" S	22.12	23.08	23.32	24.33	23.85	24.89	234	Medium
AS*R2510Z*****	AWA2510**	2.5	1/2" S	5/8" S	22.12	23.08	23.32	24.33	23.85	24.89	238	Medium
AS*S2510Z*****	VS2510Z-****	2.5	1/2" S	7/8" S	22.12	23.08	23.32	24.33	23.85	24.89	234	Medium
AS*S2512Z*****	VS2511Z****	3.0	1/2" S	7/8" S	22.12	23.08	23.32	24.33	23.85	24.89	234	Medium
AS*S2514Z*****	VS2513Z****	3.5	1/2" S	7/8" S	22.12	23.08	23.32	24.33	23.85	24.89	239	Medium
AS*S2520Z*****	VS2519Z****	5.0	1/2" S	1-1/8" S	40.65	—	42.85	—	43.82	—	347	Large
AS*S2524Z*****	VS2522Z****	6.0	1/2" S	1-1/8" S	40.65	—	42.85	—	43.82	—	347	Large
AS*R9440Z*****	AE4450Z****	1/2	3/8" S	3/8" S	8.20	15.20	8.65	16.02	8.84	16.38	150	Small
AS*R9460Z*****	AK4510Z****	3/4	3/8" S	5/8" S	9.48	15.20	9.99	16.02	10.22	16.38	159	Small
AS*R9480Z*****	AK4513Z****	1	3/8" S	5/8" S	9.48	15.20	9.99	16.02	10.22	16.38	159	Small
AS*R9510Z*****	AW9480***	1-1/4	3/8" S	5/8" S	22.12	23.08	23.32	24.33	23.85	24.89	234	Medium
AS*R9512Z*****	AWA9512***	1-1/2	3/8" S	5/8" S	22.12	23.08	23.32	24.33	23.85	24.89	234	Medium
AS*S9516Z*****	VSC9515***	2.0	1/2" S	7/8" S	22.12	23.08	23.32	24.33	23.85	24.89	234	Medium
AS*S9520Z*****	VSC9519***	2-1/2	1/2" S	7/8" S	22.12	23.08	23.32	24.33	23.85	24.89	234	Medium
AS*S9522Z*****	VSC9521***	2-4/5	1/2" S	7/8" S	22.12	23.08	23.32	24.33	23.85	24.89	234	Medium
AS*S9524Z*****	VSC9526***	3.0	1/2" S	7/8" S	36.26	—	38.22	—	39.09	—	347	Large
AS*S9532Z*****	VSC9530***	4.0	1/2" S	1-1/8" S	36.26	—	38.22	—	39.09	—	347	Large
AS*S9540Z*****	VSC9538***	5.0	1/2" S	1-1/8" S	40.65	—	42.85	—	43.82	—	347	Large
AS*S9548Z*****	VSC9545***	6.0	1/2" S	1-1/8" S	40.65	—	42.85	—	43.82	—	347	Large

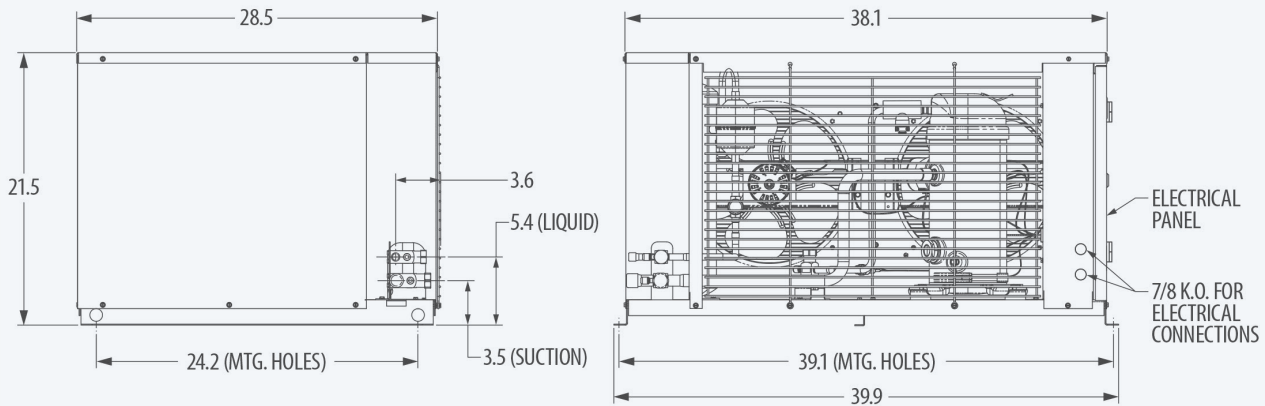
* = Receiver + Coil Capacity

CHASSIS SIZES

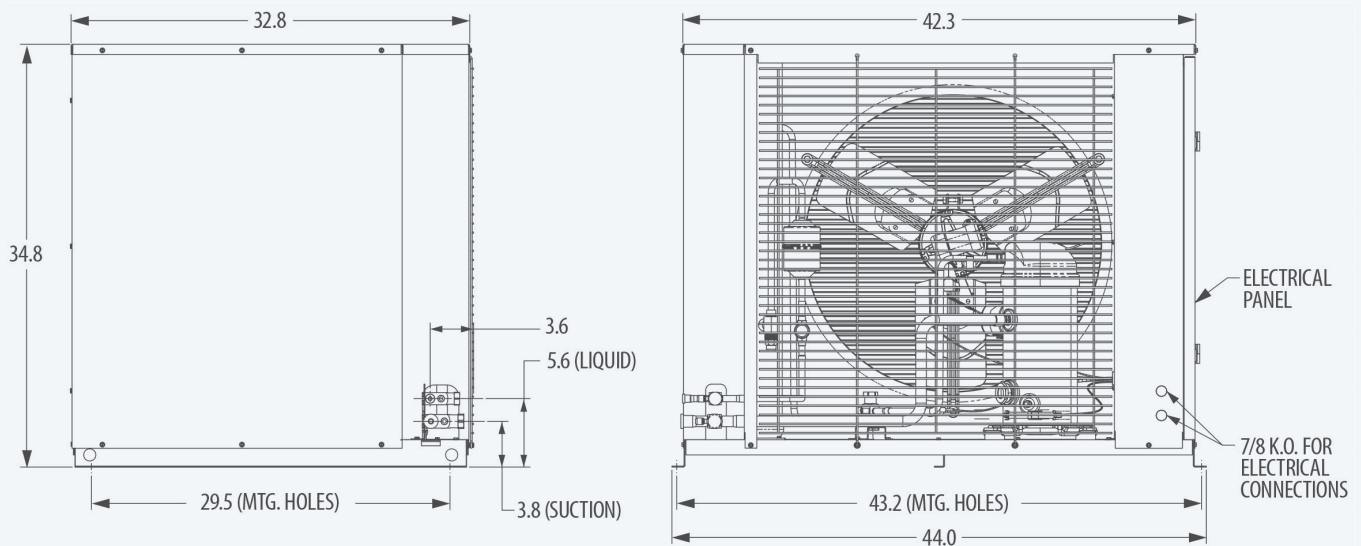
SMALL



MEDIUM



LARGE



ELECTRICAL DATA

MODEL NUMBER	POWER SUPPLY	ELECTRICAL DATA							
		COMPRESSOR		FAN MOTOR (PSC)			FAN MOTOR (EC)		
		VOLTS/HZ/PH	RLA	LRA	QTY	HP	FLA	QTY	HP
AS*R2430ZNA***	208-230V/60Hz/1	3.7	22	1	1/20	0.45	1	1/20	0.5
AS*R2440ZNA***	208-230V/60Hz/1	4.2	29.7	1	1/20	0.45	1	1/20	0.5
AS*R2450ZNA***	208-230V/60Hz/1	5.9	32.4	1	1/20	0.45	1	1/20	0.5
AS*R2460ZNA***	208-230V/60Hz/1	9.4	56	1	1/20	0.45	1	1/20	0.5
AS*R2480ZNA***	208-230V/60Hz/1	12.6	73.1	2	1/20	0.45	2	1/20	0.5
AS*S2480ZNA***	208-230V/60Hz/1	12.8	45.5	2	1/20	0.45	2	1/20	0.5
AS*S2480ZFA***	208-230V/60Hz/3	8.4	99	2	1/20	0.45	2	1/20	0.5
AS*R2510ZNA***	208-230V/60Hz/1	14.7	80	2	1/20	0.45	2	1/20	0.5
AS*S2510ZNA***	208-230V/60Hz/1	15.4	76	2	1/20	0.45	2	1/20	0.5
AS*S2510ZFA***	208-230V/60Hz/3	9.4	99	2	1/20	0.45	2	1/20	0.5
AS*S2512ZNA***	208-230V/60Hz/1	15.4	76	2	1/20	0.45	2	1/20	0.5
AS*S2512ZFA***	208-230V/60Hz/3	10	99	2	1/20	0.45	2	1/20	0.5
AS*S2514ZNA***	208-230V/60Hz/1	18.4	76	2	1/20	0.45	2	1/20	0.5
AS*S2514ZFA***	208-230V/60Hz/3	13	136	2	1/20	0.45	2	1/20	0.5
AS*S2520ZNA***	208-230V/60Hz/1	25.5	140	1	1/3	2.20	1	1/20	0.5
AS*S2520ZFA***	208-230V/60Hz/3	15.7	136	1	1/3	2.20	1	1/20	0.5
AS*S2524ZNA***	208-230V/60Hz/1	13.23	167	1	1/3	2.20	1	1/20	0.9
AS*S2524ZFA***	208-230V/60Hz/3	19.2	167	1	1/3	2.20	1	1/20	0.9
AS*R9440ZAA***	115V/60Hz/1	6.2	34.5	1	1/20	0.85	1	1/20	0.9
AS*R9440ZNA***	208-230V/60Hz/1	3.2	22	1	1/20	0.45	1	1/20	0.5
AS*R9460ZNA***	208-230V/60Hz/1	5.8	29.9	1	1/20	0.45	1	1/20	0.5
AS*R9480ZNA***	208-230V/60Hz/1	7.1	31.3	1	1/20	0.45	1	1/20	0.5
AS*R9510ZNA***	208-230V/60Hz/1	10.3	52	2	1/20	0.45	2	1/20	0.5
AS*R9510ZFA***	208-230V/60Hz/3	6.4	51	2	1/20	0.45	2	1/20	0.5
AS*R9512ZNA***	208-230V/60Hz/1	12.4	60	2	1/20	0.45	2	1/20	0.5
AS*R9512ZFA***	208-230V/60Hz/3	7.75	50	2	1/20	0.45	2	1/20	0.5
AS*S9516ZNA***	208-230V/60Hz/1	12.2	69	2	1/20	0.45	2	1/20	0.5
AS*S9516ZFA***	208-230V/60Hz/3	9.3	60	2	1/20	0.45	2	1/20	0.5
AS*S9520ZNA***	208-230V/60Hz/1	16.0	97	2	1/20	0.45	2	1/20	0.5
AS*S9520ZFA***	208-230V/60Hz/3	11.2	95	2	1/20	0.45	2	1/20	0.5
AS*S9522ZNA***	208-230V/60Hz/1	16.7	97	2	1/20	0.45	2	1/20	0.5
AS*S9522ZFA***	208-230V/60Hz/3	11.2	95	2	1/20	0.45	2	1/20	0.5
AS*S9524ZNA***	208-230V/60Hz/1	21.0	115	1	1/3	2.2		NA	
AS*S9524ZFA***	208-230V/60Hz/3	14.1	95	1	1/3	2.2		NA	
AS*S9532ZNA***	208-230V/60Hz/1	24.4	150	1	1/3	2.2		NA	
AS*S9532ZFA***	208-230V/60Hz/3	16.7	120	1	1/3	2.2		NA	
AS*S9540ZNA***	208-230V/60Hz/1	28.9	160	1	1/3	2.2		NA	
AS*S9540ZFA***	208-230V/60Hz/3	16.7	123	1	1/3	2.2		NA	
AS*S9548ZFA***	208-230V/60Hz/3	19.2	170	1	1/3	2.2		NA	

PSC – Permanent Split Capacitor and EC – Electronically Commutated

REPLACEMENT PART KITS

KIT NUMBER	COMPONENT DESCRIPTION	CHASSIS SIZE		
		SMALL	MEDIUM	LARGE
CDK-01	CONDENSER – TUBE AND FIN, 16X19, 3/8", 2R 12FPI, CU TUBE, AL FIN, 1.14 LITER	X		
CDK-02	CONDENSER – TUBE AND FIN, 16X19, 3/8", 3R 12FPI, CU TUBE, AL FIN, 1.82 LITER	X		
CDK-03	CONDENSER – TUBE AND FIN, 18X33, 3/8", 3R 12FPI, CU TUBE, AL FIN, 3.51 LITER		X	
CDK-04	CONDENSER – TUBE AND FIN, 32X36, 3/8", 2R 12FPI, CU TUBE, AL FIN, 4.41 LITER			X
CDK-05	CONDENSER – TUBE AND FIN, 32X36, 3/8", 3R 12FPI, CU TUBE, AL FIN 6.6 LITER			X
CDK-06	CONDENSER – MICRO CHANNEL 16X17.5, 32MM, 19FPI, AL, 1.1 LITER, P-COATED	X		
CDK-07	CONDENSER – MICRO CHANNEL 18.75X31.5, 32MM, 19FPI, AL, 1.63 LITER, P-COATED		X	
CDK-08	CONDENSER – MICRO CHANNEL 34.5X31.88, 32MM, 19FPI, AL, 3.47 LITER, P-COATED			X
CTK-01	CONTACTOR – 30 AMP, 3PH (230V COIL)	X	X	X
CTK-02	CONTACTOR – 30 AMP, 3PH (120V COIL)	X		
DTK-01	ELECTROMECHANICAL DEFROST TIMER – ADAPTIVE, 240V, 40 AMP	X	X	X
DTK-02	ELECTROMECHANICAL DEFROST TIMER – NON ADAPTIVE, 120V, 40 AMP	X	X	X
DTK-03	ELECTROMECHANICAL DEFROST TIMER – NON ADAPTIVE, 240V, 40 AMP	X	X	X
FBK-01	FAN BLADE – HUB 1/4", AL, 3 BLADES, CW, 24" DIAMETER, 30° PITCH			X
FBK-02	FAN BLADE – HUB 5/16", AL, 5 BLADES, CW, 12" DIAMETER, 23° PITCH	X	X	
FMK-01	FAN MOTOR – PSC 230V 60/50HZ, 0.45 AMP, 35 WATTS, 1550 RPM	X	X	
FMK-02	FAN MOTOR – PSC 115V 60HZ, 0.85 AMP, 35 WATTS, 1550 RPM	X		
FMK-03	FAN MOTOR – PSC 230V 60HZ, 2.2 AMP, 1/3 HP, 1075 RPM			X
LPK-01	LOW PRESSURE SWITCH – FIXED, SPST, CUT-IN 5 PSIG, CUT-OUT 17 PSIG, 1/4"SAE FLARE, W/LEADS	X	X	X
LPK-03	LOW PRESSURE SWITCH – FIXED, SPST, CUT-IN 5 PSIG, CUT-OUT 17 PSIG, 1/4" SWEAT, W/LEADS	X	X	X
LPK-04	LOW PRESSURE CONTROL – ADJUSTABLE, CUT-IN 29 PSIG, CUT-OUT 14 PSIG, 1/4" SWEAT, W/LEADS	X	X	X
HPK-01	HIGH PRESSURE SWITCH – FIXED, 1/4" SAE FLARE, SPST, CUT-IN 280 PSIG, CUT-OUT 450 PSIG		X	X
HPK-02	HIGH PRESSURE SWITCH – FIXED, 1/4" SWEAT, SPST, CUT-IN 280 PSIG, CUT-OUT 450 PSIG	X		
HMK-01	HEAD PRESSURE CONTROL VALVE – 1/2" SWEAT CONN, 148 PSI, MED BODY		X	
HMK-02	HEAD PRESSURE CONTROL VALVE – 1/2" SWEAT CONN, 148 PSI, LARGE BODY			X
HMK-03	HEAD PRESSURE CONTROL VALVE – 5/8" SWEAT CONN, 148 PSI, LARGE BODY			X
HMK-04	HEAD PRESSURE CONTROL VALVE – 3/8" SWEAT CONN, 123 PSI, MED BODY			
MMK-01	FAN BRACKET – WIRE MOUNT, 3 POINT			X
MMK-02	FAN BRACKET – SHEETMETAL MOUNTING	X	X	
RTK-01	RECEIVER TANK – 5" X 10", 3/8" SWEAT IN, 3/8" SWEAT OUT (VLV), 2.9 LITER			
RTK-02	RECEIVER TANK – 6" X 32", 1/2" SWEAT IN, 1/2" SWEAT OUT (VLV), 13.6 LITER			X
RTK-03	RECEIVER TANK – 6" X 17.125", 1/2" SWEAT IN, 1/2" SWEAT OUT (VLV), 7.5 LITER		X	
TSK-01	DISCHARGE LINE THERMOSTAT – AUTO RESET, SCROLL DISCH LINE 3/8" SWT, OPEN 221°F – CLOSE 180°F	X	X	X
TSK-02	DISCHARGE LINE THERMOSTAT – AUTO RESET, SCROLL DISCH LINE 1/2" SWT, OPEN 221°F – CLOSE 180°F	X	X	X
TSK-03	DISCHARGE LINE THERMOSTAT – AUTO RESET, SCROLL DISCH LINE 5/8" SWT, OPEN 221°F – CLOSE 180°F	X	X	X





Tecumseh

TECUMSEH COMPRESSOR COMPANY LLC

Subsidiary of Tecumseh Products Company LLC

5683 Hines Drive | Ann Arbor, MI 48108

734.585.9500 | www.tecumseh.com

