



HVAC

air distribution

SOLUTIONS

RECTORSEAL® HVAC AIR DISTRIBUTION SOLUTIONS

rectorseal.com





TRUaire[®]

RESIDENTIAL/COMMERCIAL GRD

Grilles, registers, and diffusers (GRD) are one of the most noticeable components of a quality HVAC installation. TRUaire products are preferred by residential and commercial contractors who take pride in their ducted HVAC installations and offer their customers the optimum solutions for indoor comfort.

With over 10,000 SKUs, TRUaire provides a complete line of models and styles to meet the most demanding customer needs. The quality of TRUaire products is obvious given that all products receive 100% powder coating to ensure long-lasting, trouble-free use with no rust or rattles. In addition, TRUaire products feature SmoothGlide technology for quiet operation, zinc-coated rivets, and no spotweld marks ensuring added durability for decades of dependable performance.

To quickly find the solutions that fit your needs, please utilize our new online GRD cross-reference tool at rectorseal.com/grd-crossref.

TRUaire offers a wide range of GRD products that ensure long lasting installation and deliver maximum energy efficiency and comfort.

TRUaire[®]


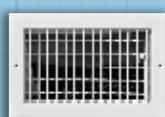
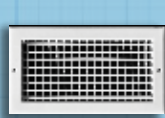






RETROFIT GRD

For fast, airtight, and versatile retrofit grilles, registers, and diffusers (GRD), the choice is TRUaire Retrofit (formerly Airtec). Molded with commercial-grade polymers for long-lasting durability, TRUaire Retrofit products resist breakage, scratching, yellowing, and fading in both heating and cooling ducted applications.










The patented one-piece damper boot with swing clamps offers fast and secure installation with no additional tedious mastic or external sealers. The butterfly damper provides a virtually airtight seal when closed due to the rubber edge gasket. TRUaire Retrofit offers outstanding installation flexibility with stepped collar, which accommodate three duct sizes and be easily field adjusted.

For added installation flexibility, the flanges conform to drywall backing to eliminate air leakage between diffuser and the boot. Beyond a wide assortment of diffusers to fit any retrofit installation, try the TRUaire Retro style for the look and feel of a reproduction cast iron grille, offering beauty without the added weight and high cost.

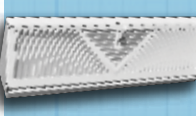



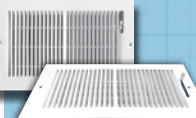


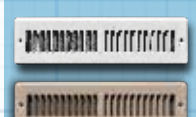


Sidewall/Ceiling Supply Grilles & Registers
STEEL PRODUCTS

	PAGE
 100 Series Stamped Louver Registers 1/2" or 1/3" Blade Spacing	08
 210/230 Series Adjustable Single Deflection Grilles and Registers	10
 220 Series Adjustable Double Deflection Grilles and Registers	12
 300 Series Adjustable Curved Blade Grilles and Registers	14
 400 Series Stamped Curved Blade Registers	16
 560 Series High Capacity Square Direction Diffusers	18
 600 Series Evaporative Cooler Make-Up Diffusers	20
 700 Series High Velocity Flush Diffusers	22
 800 Series Round Ceiling Diffusers	24

Sidewall/Ceiling Supply Grilles & Registers
ALUMINUM PRODUCTS

	PAGE
 880 Series Round Diffusers	26
 A210 Series Adjustable Single Deflection Grilles and Registers	28
 A220 Series Adjustable Double Deflection Grilles and Registers	30
 A300 Series Adjustable Curved Blade Grilles and Registers	32
 A400 Series Stamped Curved Blade Registers	34
 A500 Series Direction Diffusers	36
 A520 Series Modular Core Diffusers	38
 A540 Series Direction Diffusers	40
 A900 Series Egg Crate/Perforated Face Grilles	78

Floor and Baseboard
Grilles and Registers



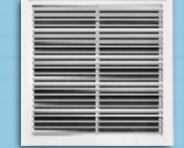
	PAGE
 115/118/121 Series Baseboard Sunburst Registers	42
 Designer Baseboards Steel & Resin Composite Designer Baseboard Registers	44
 121S Series Steel Deluxe Baseboard Registers	46
 122/123 Series Steel Baseboard Grilles and Registers 1/4" & 3/4" Turn Back	48
 123M/124M Series 1/3" Stamped Louver Baseboard Registers	50
 125T Series 1/3" Stamped Louver Baseboard Grilles and Registers	50
 150M Series Stamped Floor Registers	52
 150TS Series 1/2" Stamped Louver Toe Space Grilles	54
 154 Series Steel Heavy Duty Floor Grilles and Registers	56
 160 Designer's Series Resin Composite Decorative Floor Registers	58

Floor and Baseboard
Grilles and Registers (Cont'd)




	PAGE
 168 Solid Oak Series Baseboard, Floor, Sidewall & Flush Mount	60
 173TS Series 1/3" Stamped Louver Toe Space Grilles	47
Sidewall/Ceiling Return Grilles STEEL PRODUCTS	
 170/173 Series Stamped Louver Grilles 1/2" or 1/3" Blade Spacing	62
 174 Series Stamped Fixed Curved Blade Grilles	64
 190/194 Series Stamped Louver Return Air Filter Grilles - Fixed Hinge Face	64
 190RF/192RF/193RF Series Stamped Louver Return Air Filter Grilles - Removable Face	66
 270 Series Fixed Bar Air Grilles	68
 290/292/294 Series Fixed Bar Return Air Filter Grilles Fixed Hinge	70

Sidewall/Ceiling Return Grilles

ALUMINUM PRODUCTS

	PAGE
 A170 Series Stamped Louver Grilles	72
 A270 Series Fixed Bar Air Grilles	74
 A290 Series Fixed Bar Return Air Filter Grilles Fixed Hinge	76





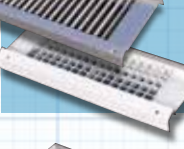
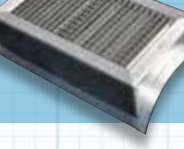


T-Bar Grilles & Diffusers

 1010/1020MAS Series Lay-In Fixed Perforated Face Diffusers	80
 1120S Series Lay-In Plenum Perforated Face or Egg Crate Grilles & Diffusers	82
 1110 Series Lay-In 1/2" Stamped Louver Air Grilles - Blade Spacing	86
 1210RG/A1210RG Series Lay-In Fixed Bar Air Grilles	86




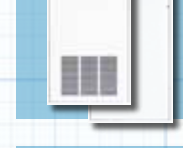




Lay-In Diffusers and Return Grilles

	PAGE
 1400CB Series Perforated Hinged Face Curved Blade Diffusers	84
 1420AB Series Perforated Hinged Face Adjustable Blade Diffusers	84
 14080RD Series Perforated Face Round Diffusers	84
 1920RG Series Perforated Face Grilles	88
 1930RG/1940RG Series Acrylic & Aluminum Egg Crate Grilles	88
 2000PD, 2003CD & 2004CD Series Single Plaque & Step Down Cone Diffusers	90
 2600 Series Lay-In Stamped Curved Blade Diffuser	92
 4010FG/4060 FG Series 1/2" and 1/3" Stamped Face Return Air Filter Grille	94
 4030FG Series Perforated Face Return Air Filter Grilles	94

Lay-In Diffusers and Return Grilles (Cont'd)

	PAGE
 4040FG/4050FG Series Acrylic & Aluminum Egg Crate Return Air Filter Grilles	94
 5200 Series Lay-In Modular Core Diffusers	96
 5400 Series Lay-In Directional Diffusers	98
Spiral Duct Grilles & Registers	
 SU Series Universal Mount Single & Double Deflection Spiral Duct Grilles	100
 SD Series Saddle Mount Single & Double Deflection Spiral Duct Grilles	102
 SF Series Flush Mount Single & Double Deflection Spiral Duct Grilles	104
Linear Slot Diffuser	
 LD/LDR Series Linear Slot Diffusers Supply & Return	106
 LB Series Linear Bar Grilles	106

Access Panels & Accessories

	PAGE
 ACD690/670 Series Small Single Access Panels	108
 ACD2400 Series Sectional Ceiling Access Panels Solid or Louvered	110
 ACP Series Ceiling Access Panels Solid or Louvered	112
 AWD Series Wall Access Doors Solid or Louvered	114
 Butterfly Damper & Ring Butterfly Damper (no Ring) Mounting Ring	116
 Radial Damper Ring Collar & Push Pin Fasteners Square to Round Transition	117
 5000XF Surface Mounting Frame Aluminum Opposed Blade Damper Insulated Back	118
 5000P T-Bar Panel Louvered Foundation Vent 5400SD T-Bar Panel	119
Retrofit GRD POLYMER PRODUCTS	
 One Piece Grill Damper Box Diffuser Air Flow Specifications Retrofit Tuffbox, Accessories	120

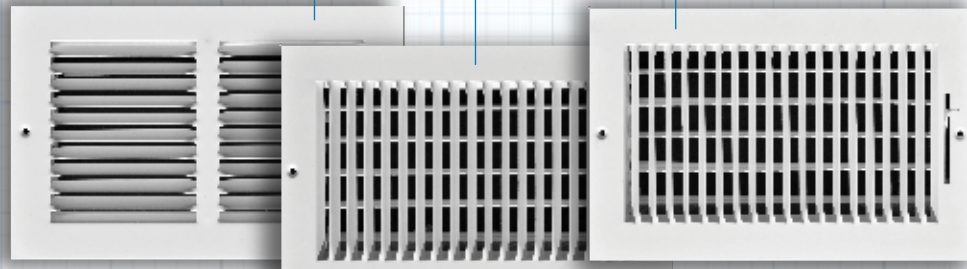
100 Series

TRUaire's 100 series style registers have been the mainstay of new residential construction for more than 50 years. Truair's Stamped registers are a cost-effective solution for residential applications and come in 1-way, 2-way, 3-way and 4-way air throw patterns. The grille face can be ordered with either 1/2" or 1/3" louvered blade spacing. They can be easily installed in sidewalls and ceilings. These registers can be ordered with an optional aluminum opposed blade damper that has a screwdriver adjustment which is accessible through the face of the registers.

Model 101MD
One Way Down
1/2" Blade Spacing

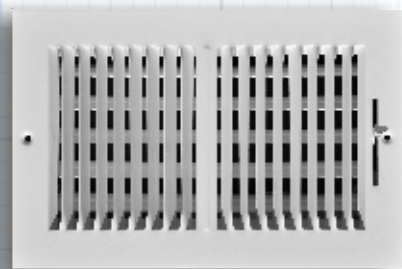
Model 101ML
One Way Left
1/2" Blade Spacing

Model 101MR
One Way Right
1/2" Blade Spacing



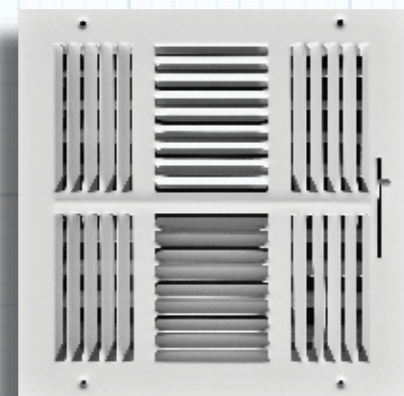
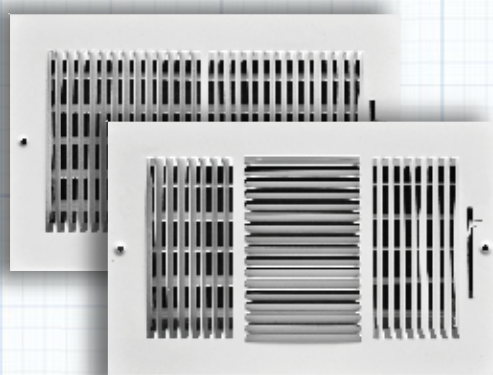
Model 102M
Two Way 1/2" Blade Spacing

Model 103M
Three Way 1/2" Blade Spacing



Model 132M
Two Way 1/3" Blade Spacing

Model 104M
Four Way 1/2" Blade Spacing

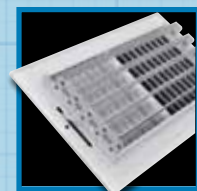


Model 133M
Three Way 1/3" Blade Spacing

Features

- Steel construction
- Available in 1/2" and 1/3" blade spacing
- Countersunk screw holes
- SmoothGlide multi-shutter damper
- Pristine white powder coat finish
- #8 x 2" Long mounting hardware include
- Optional opposed blade damper

Product Detail

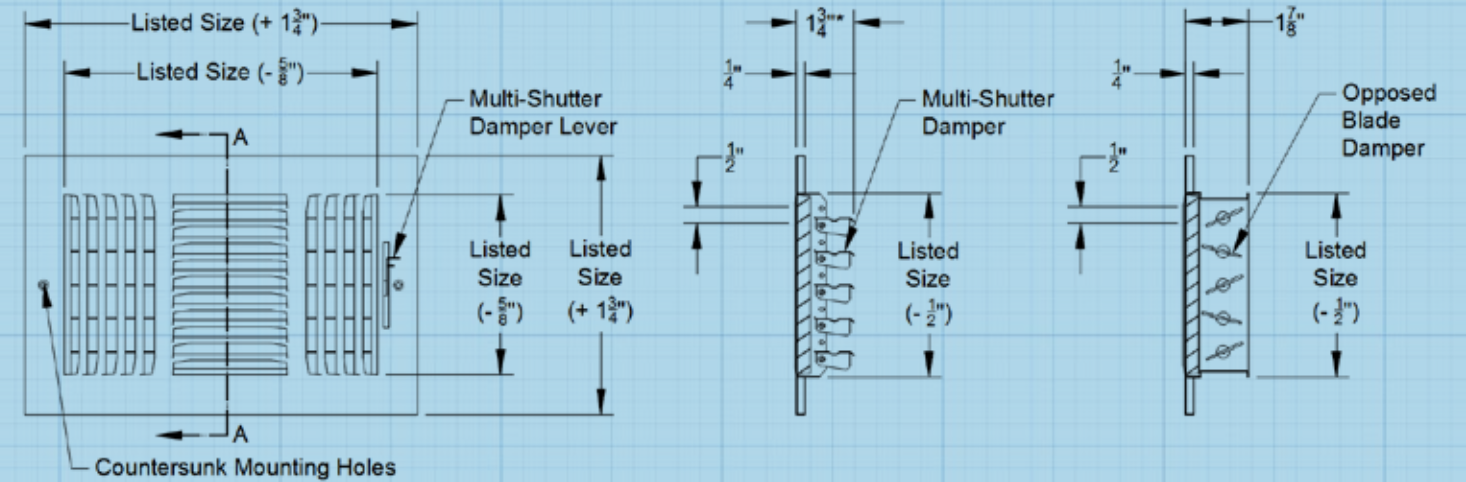


SmoothGlide dampers

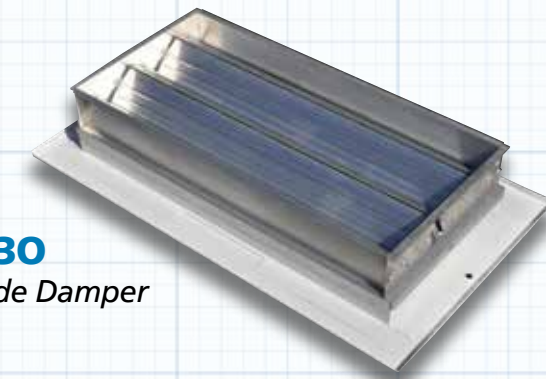


Countersunk Screw Holes

MODEL 103



103M Shown; all dimensions are typical.

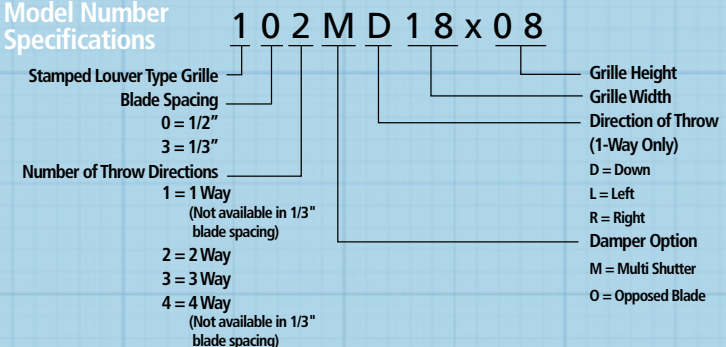


Model 1030
Opposed Blade Damper

Available Throw Patterns:



Model Number Specifications



210 / 230 Series

Arguably the most versatile of all supply registers, the 210 Series Single Deflection register is available in a wide variety of configurations for almost any application. The highly effective open blade design and TRUaire's exclusive one piece frame allows for greater airflow. Our 210 Series is available with our unique SmoothGlide multi-shutter damper mechanism, a high quality opposed blade damper mechanism or without a damper.



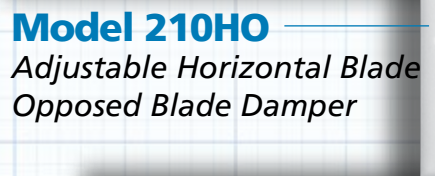
Model 210H
Adjustable Horizontal Blades
No Damper



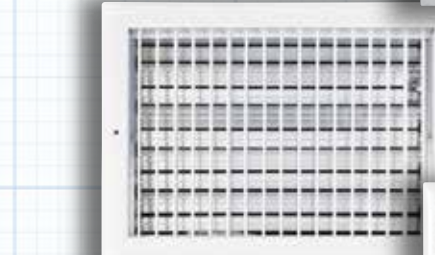
Model 210V
Adjustable Vertical Blades
No Damper



Model 210VM
Adjustable Vertical Blades
SmoothGlide Multi-Shutter Damper



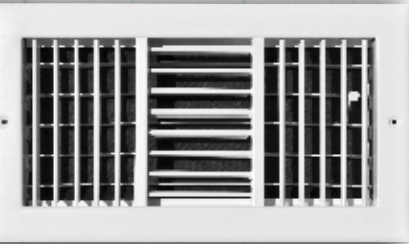
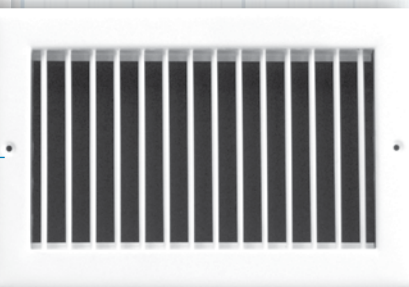
Model 210HO
Adjustable Horizontal Blade
Opposed Blade Damper



Model 210VO
Adjustable Vertical Blades
Opposed Blade Damper



Model 230VM
Adjustable 3-Way Blades
Multi-Shutter Damper



Features

- Steel construction
- One piece frame (up to 14 x 10)
- 3/4" blade spacing
- Countersunk screw holes
- Unique beveled edges
- Individually adjustable horizontal or vertical blades
- Pristine white powder coat finish
- Optional SmoothGlide multi-shutter damper
- Optional opposed blade damper

Product Detail



Beveled Edges



One Piece Frame Construction

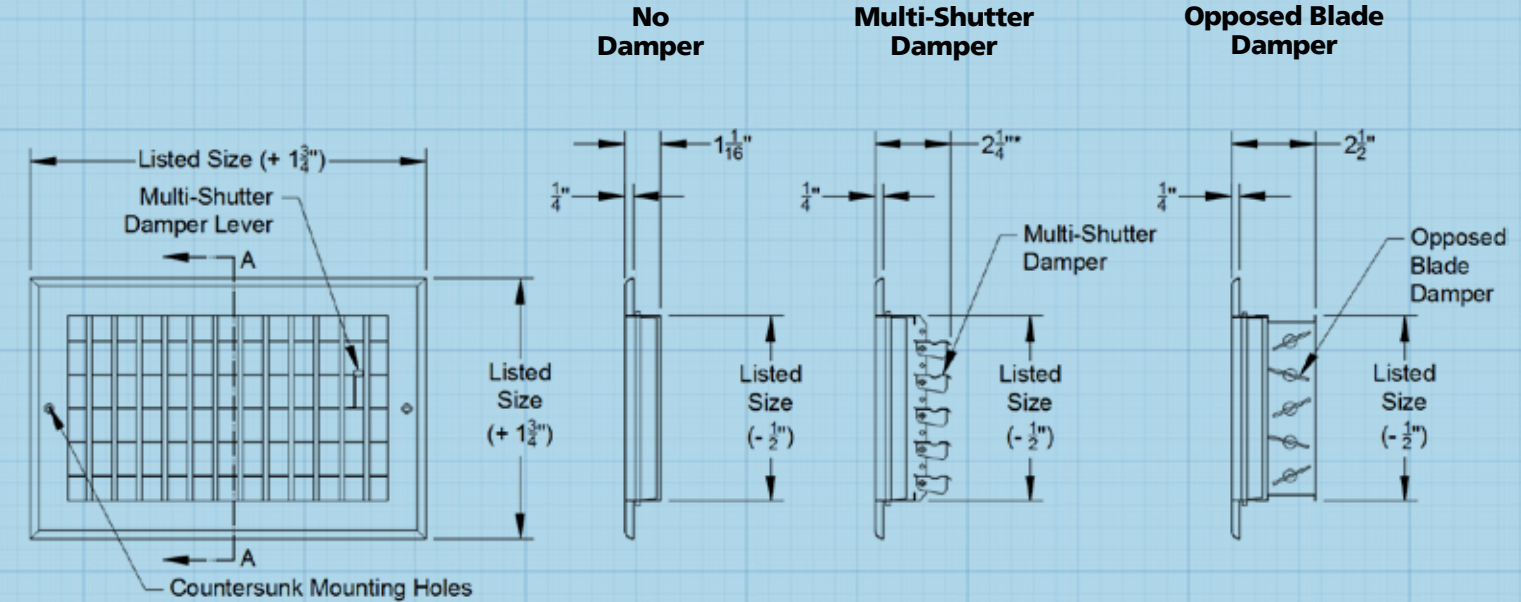
Available Finishes



AL = Aluminum BN = Brushed Nickel OB = Oil Rubbed Bronze

PN = Polished Nickel BLANK = White

MODEL 210



210VM Shown; all dimensions are typical for 230VM Series

210 Series Options

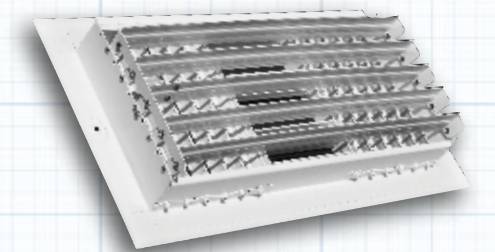
Opposed Blade Damper (OBD)

Top notch craftsmanship includes nylon bushings to ensure the aluminum blades stay in place according to the airflow requirements.



Durable nylon bushings

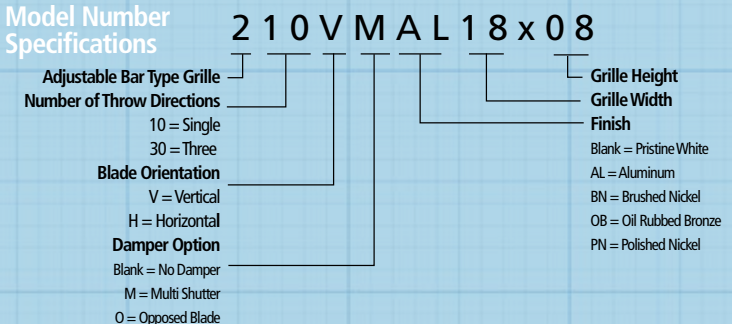
High Quality Aluminum Components



Multi-Shutter Damper (MSD)

Reverse side shown with multi-shutter damper

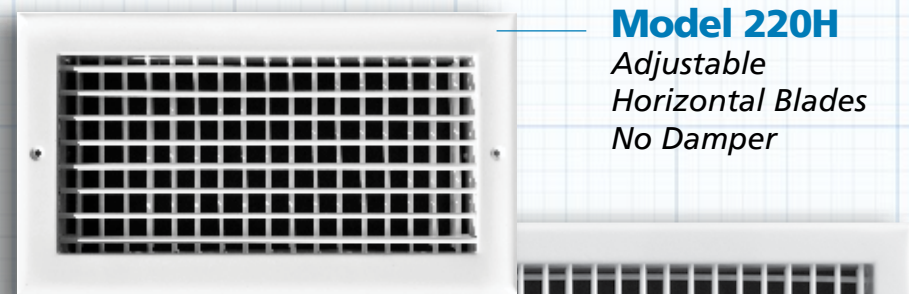
Model Number Specifications



220 Series

TRUaire's 220 Series Double-Deflection registers represent the top-of-the line adjustable bar-type product. These registers feature two perpendicular rows of individually adjustable blades for maximum air dispersion. Each model can be ordered with the horizontal row in front (Model 220H) or with the vertical row in front (Model 220V).

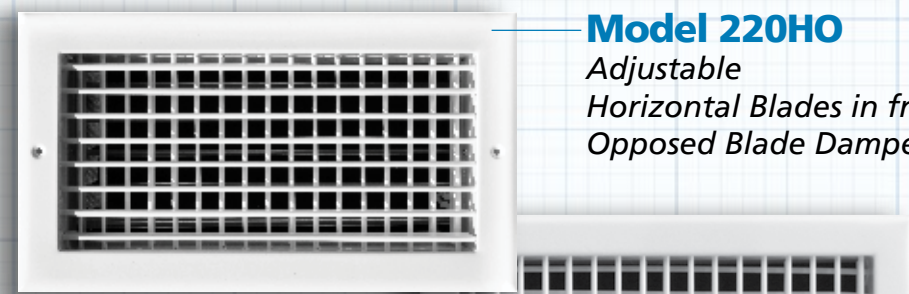
Whether commercial or residential, using an opposed blade damper or no damper at all, the 220 Series register delivers high capacity airflow with a sleek aesthetic style and solid construction.



Model 220H
Adjustable
Horizontal Blades
No Damper



Model 220V
Adjustable Vertical Blades
No Damper



Model 220HO
Adjustable
Horizontal Blades in front
Opposed Blade Damper



Model 220VO
Adjustable
Vertical Blades in front
Opposed Blade Damper

Features

- Steel construction
- One piece frame (up to 14 x 10)
- 3/4" blade spacing
- Countersunk screw holes
- Unique beveled edges
- Individually adjustable horizontal and vertical blades
- Pristine white powder coat finish
- Optional opposed blade damper

Product Detail



Beveled Edges



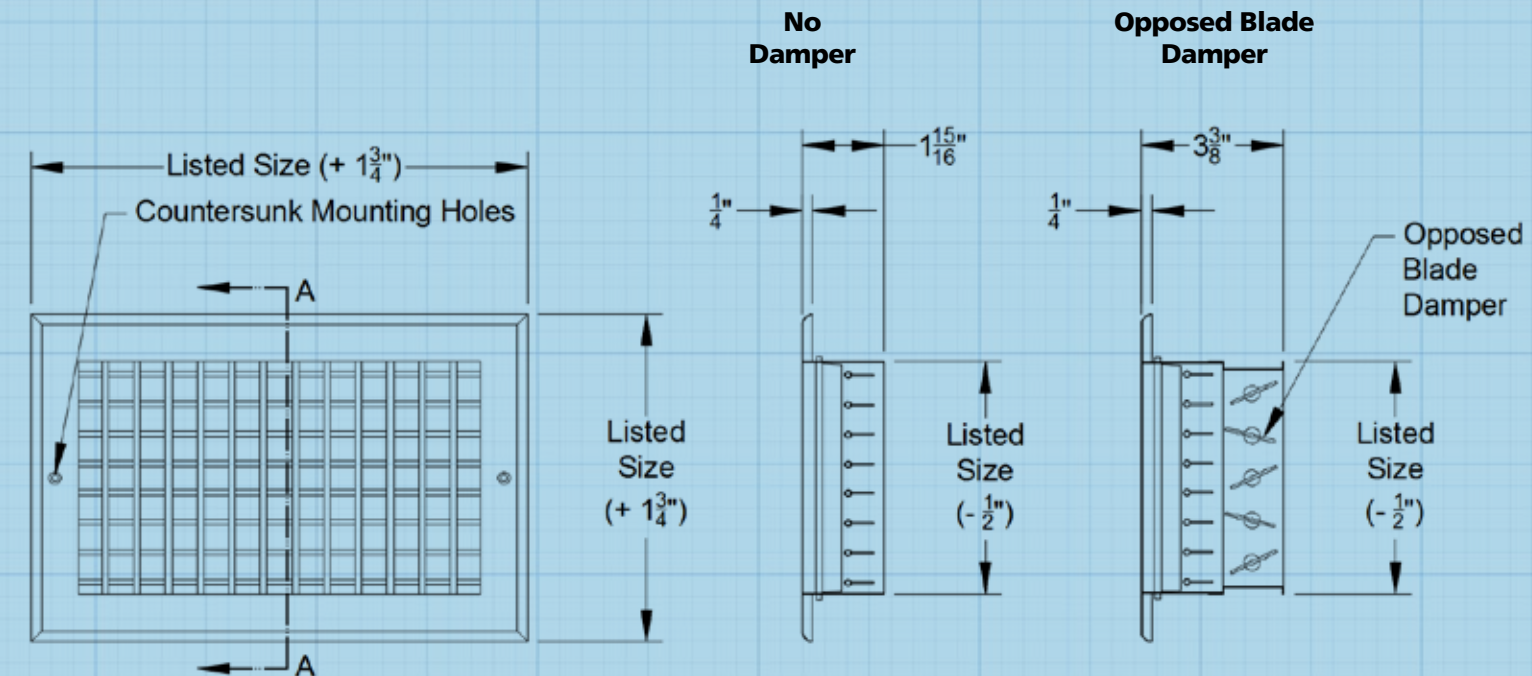
Opposed Blade Damper
with Nylon Bushings

Available Finishes



PN = Polished Nickel BLANK = White

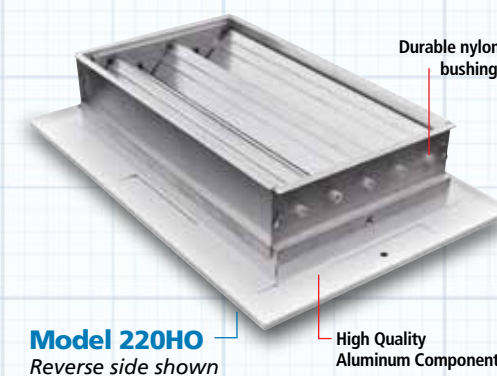
MODEL 220



220 Series Options

Opposed Blade Damper (OBD)

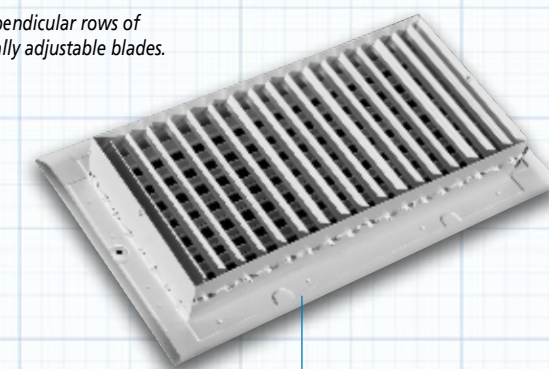
Top notch craftsmanship includes nylon bushings to ensure the aluminum blades stay in place according to the airflow requirements.



Model 220HO
Reverse side shown
Durable nylon bushings
High Quality Aluminum Components

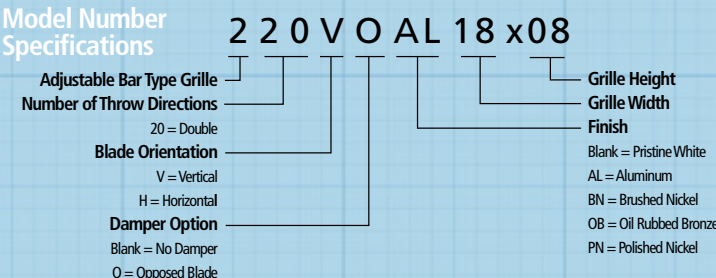
Standard Configuration

Two perpendicular rows of individually adjustable blades.



Model 220H
Reverse side shown

Model Number Specifications

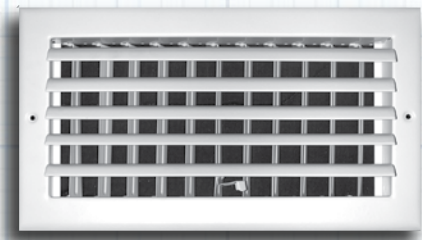


300 Series

The 300 series register is the height of both form and function. Each individual curved blade is fully adjustable for total control. The outside frame is slightly beveled, and manufactured without mitered corners. The various configurations of this diffuser include damper choices and throw direction.

Model 301M

Curved Blade - 1 Way



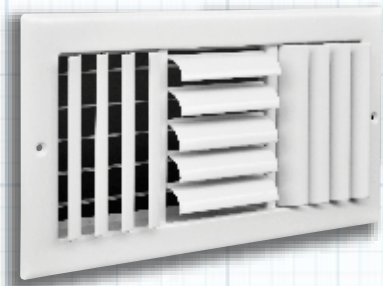
Model 302M

Curved Blade - 2 Way Horizontal



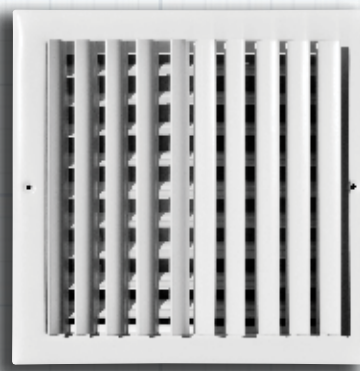
Model 303M

Curved Blade - 3 Way



Model 302VM

Curved Blade - 2 Way Vertical



Model 304M

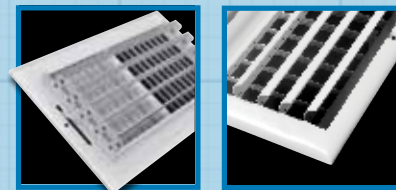
Curved Blade - 4 Way



Features

- Steel construction
- One piece frame (up to 14 x 10)
- Countersunk screw holes
- Unique beveled edges
- Individually adjustable curved blades
- SmoothGlide multi-shutter damper
- Pristine powder coat finish
- Optional opposed blade damper

Product Detail



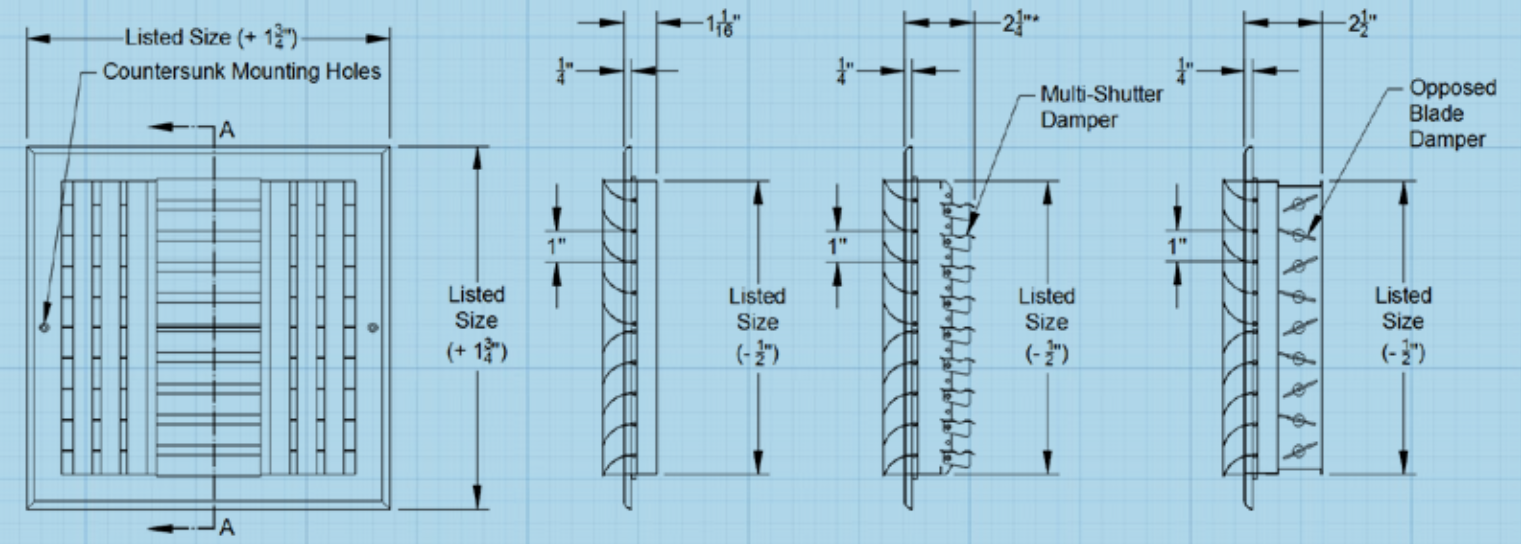
SmoothGlide dampers

One Piece Frame without mitered pieces

Available Finishes



MODEL 300



304M shown; all dimensions are typical.

300 Series Options



Model 303-O
Three Way - OBD Option

Available Throw Patterns:

1-Way, Down



2-Way Horizontal



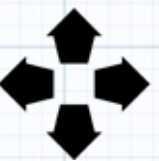
2-Way Vertical



3-Way



4-Way



Model Number Specifications

3 0 2 V M AL 18 x08

Curved Blade Type Grille
Number of Throw Directions
1 = 1 Way
2 = 2 Way
3 = 3 Way
4 = 4 Way
Blade Orientation
(1 Way or 2 Way Only)
Blank = Horizontal
V = Vertical

Grille Height
Grille Width
Finish
Blank = Pristine White
AL = Aluminum
BN = Brushed Nickel
OB = Oil Rubbed Bronze
PN = Polished Nickel
Damper Option
F = No Damper
M = Multi-Shutter Damper
O = Opposed Blade

400 Series

TRUaire's 400 series is a stamped steel register at heart, but with a big difference. Unlike the 100 series stamped steel register, the blades on the face of the 400 series are stamped in a curve. This configuration provides a classy look, and a more even air pattern, all with the cost benefit of stamped steel.

Model 401M

Stamped Curved Blade
1 Way Horizontal



Model 402M

Stamped Curved Blade
2 Way Horizontal



Model 402VM

Stamped Curved Blade
2 Way Vertical



Model 403M

Stamped Curved Blade - 3 Way



Model 404M

Curved Blade - 4 Way



Features

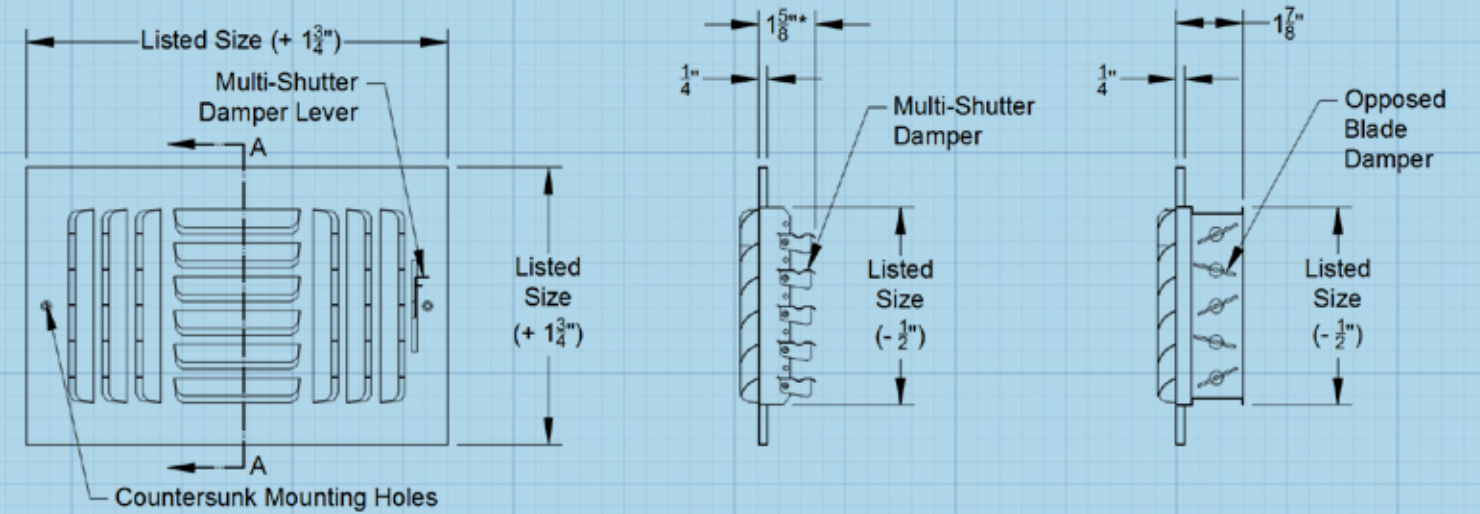
- Steel construction
- Countersunk screw holes
- Curved blade face
- SmoothGlide multi-shutter damper
- Pristine powder coat finish

Product Detail



Countersunk Screw Hole & Damper Handle | Stamped Curved Blade Detail

MODEL 400

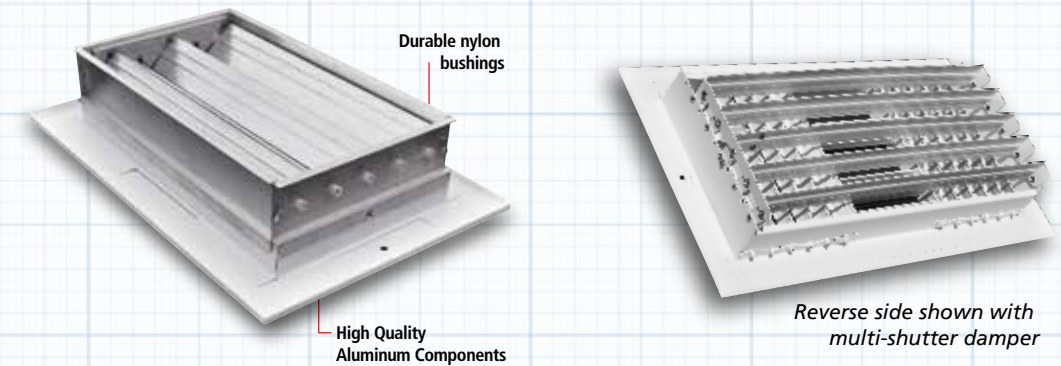


403M shown; all dimensions are typical.

400 Series Options

Opposed Blade Damper (OBD)

Top notch craftsmanship includes nylon bushings to ensure the aluminum blades stay in place according to the airflow requirements.



Available Throw Patterns:

1-Way, Down



2-Way Horizontal



2-Way Vertical



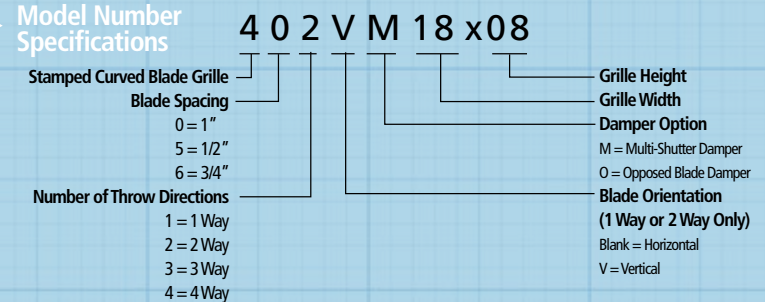
3-Way



4-Way



Model Number Specifications

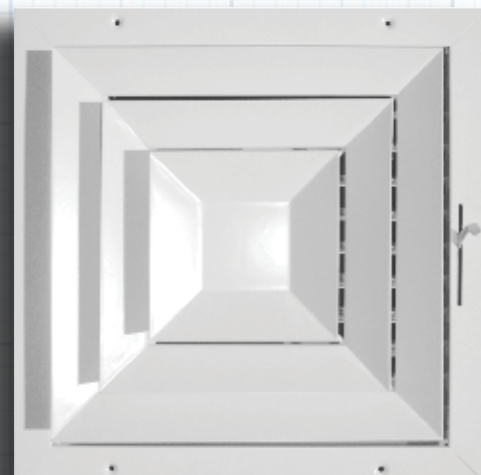


560 Series

These high capacity diffusers cover a variety of design requirements. Each of these models is available in square sizes only. The blade design is unusually wide specifically for allowing large volumes of air to move through them. The 600 and 700 Series are primarily used for evaporative cooler, or make-up air applications.

Model 560M

Square Ceiling Directional Diffuser



Model 560 - No Damper

Square Ceiling Directional Diffuser



Profile view shown without damper

Features

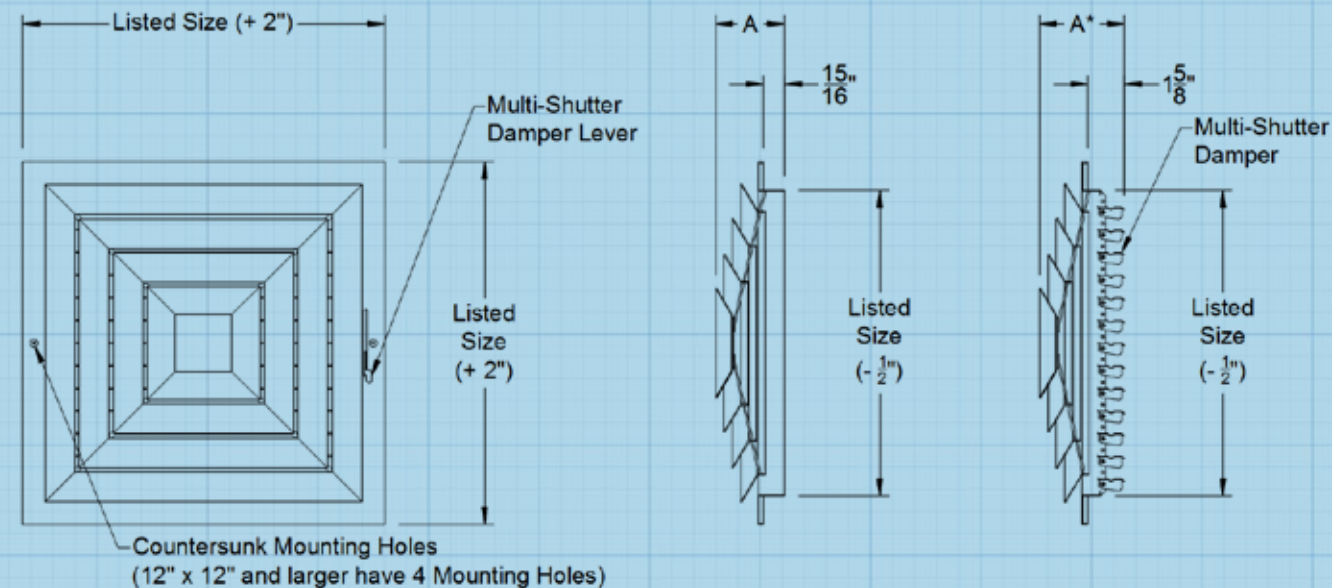
- Steel construction
- Countersunk screw holes
- Multi-shutter damper
- Pristine white powder coat finish

Product Detail



Multi-Tier Diffusion (Model 560M shown)

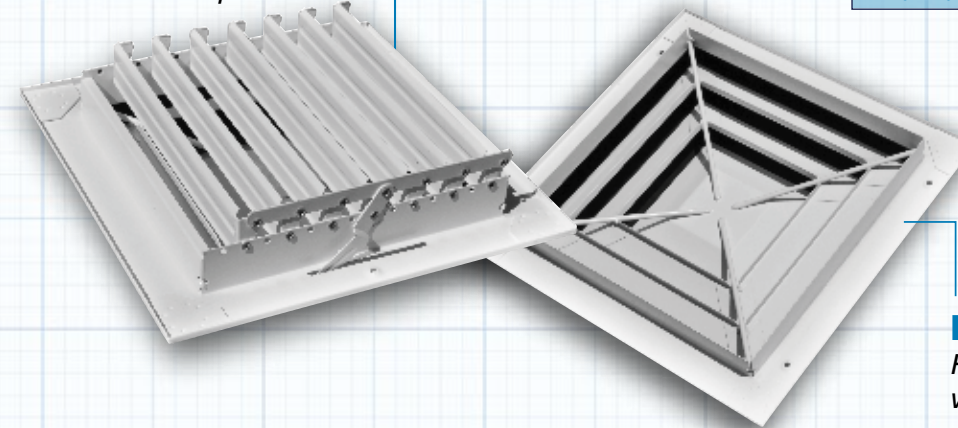
MODEL 560



560 Series Options

Model 560M

Reverse side shown with damper



Model 560

Reverse side shown without damper

SIZE	Grille Only Dim A	Grille w/Multi-Shutter Damper Dim A	Number of Cones
6" x 6"	1 3/4"	2 1/2"	1
8" x 8"	2 1/4"	3"	2
10" x 10"	2 3/4"	3 1/2"	3
12" x 12"	2 3/4"	3 1/2"	3
14" x 14"	3 1/4"	4"	4
16" x 16"	3 3/4"	4 1/2"	5
18" x 18"	3 3/4"	4 1/2"	5
20" x 20"	4 1/4"	5"	6

Model Number Specifications

High Capacity Direction Diffuser
 Damper Option
 Blank = No Damper
 M = Multi-Shutter Damper

560M16x16

Grille Height
 Grille Width

600 Series

These high capacity diffusers cover a variety of design requirements. Each of these models is available in square sizes only. The blade design is unusually wide specifically for allowing large volumes of air to move through them. The 600 Series are primarily used for evaporative cooler, or make-up air applications.

Model 600
Evaporative Cooler
Make-up Air Diffuser



Blade design allows for maximum air flow

*Available in white or stainless steel finish

Model 600MSS
Stainless Steel
Evaporative Cooler
Make-up Air Diffuser



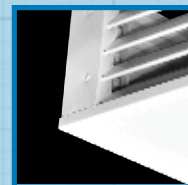
Features

- Steel construction
- Optional stainless steel
- Countersunk screw holes
- Multi-shutter damper
- Pristine white powder coat finish

Available Finishes

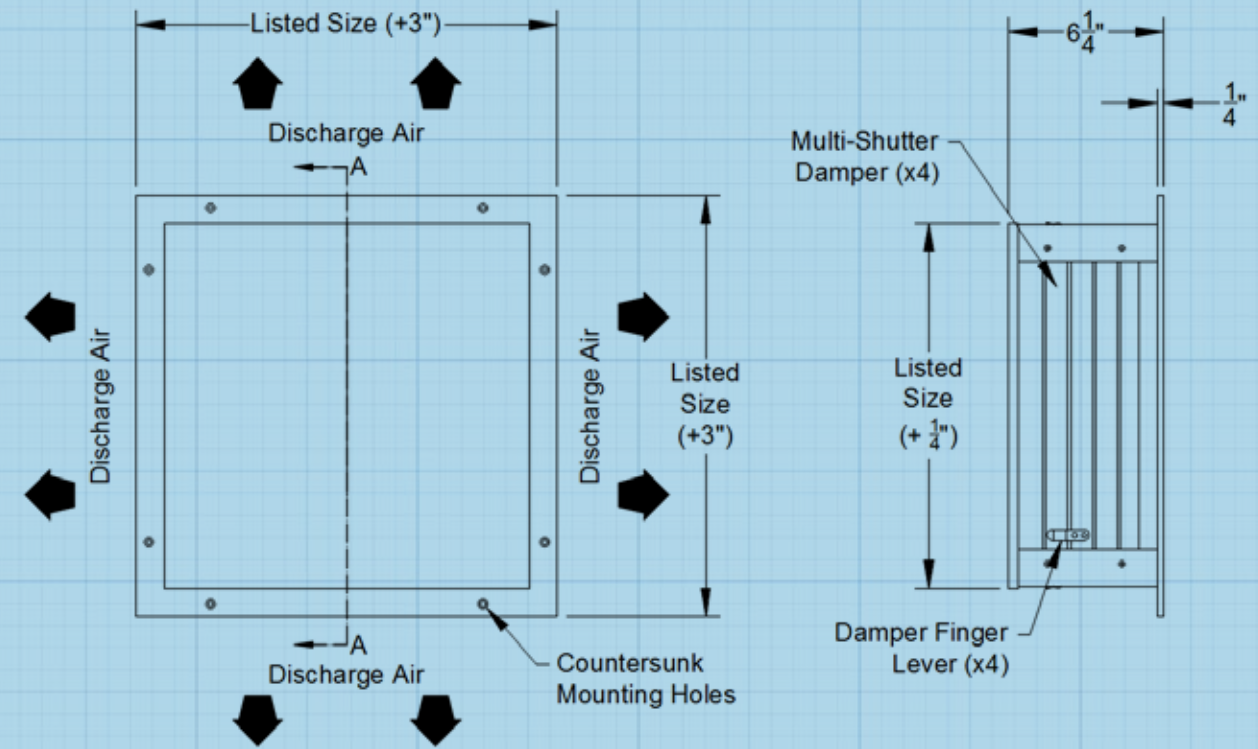


Product Detail



High capacity blade design

MODEL 600



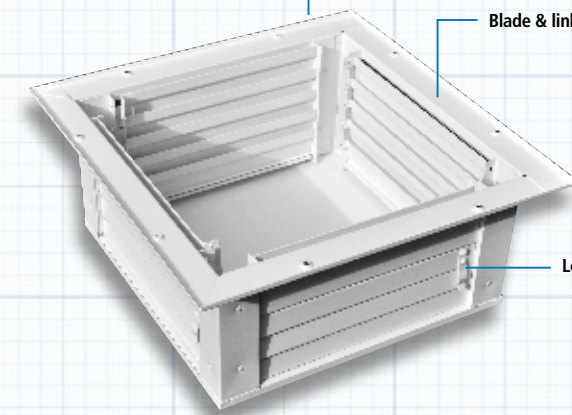
600 Series Options



Shown Open



Shown Closed

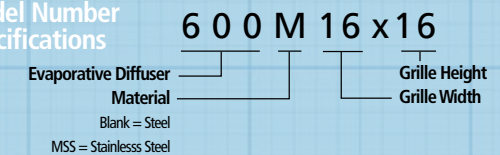


Model 600
Pristine White Powder Coat

Blade & linkage components

Lever Pull

Model Number Specifications



700 Series

These high velocity diffusers cover a variety of design requirements. Each of these models is available in square sizes only. The blade design is unusually wide specifically for allowing large volumes of air to move through them. The 700 Series are primarily used for evaporative cooler, or make-up air applications.

Model 700 High Velocity Flush Mount Diffuser



Blades shown in OPEN position

Features

- Steel construction
- Countersunk screw holes
- Multi-shutter damper
- Pristine white powder coat finish

Product Detail

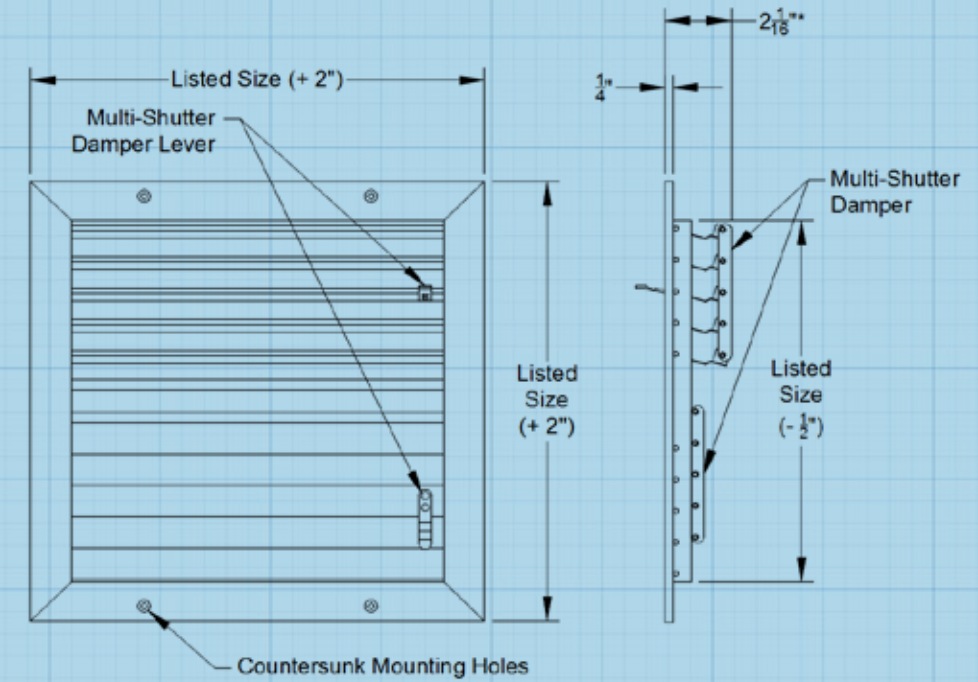


High capacity blade design

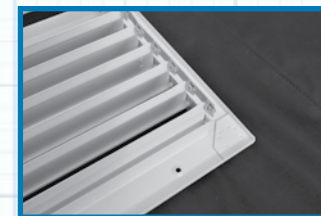


Pristine White Powder Coat Finish

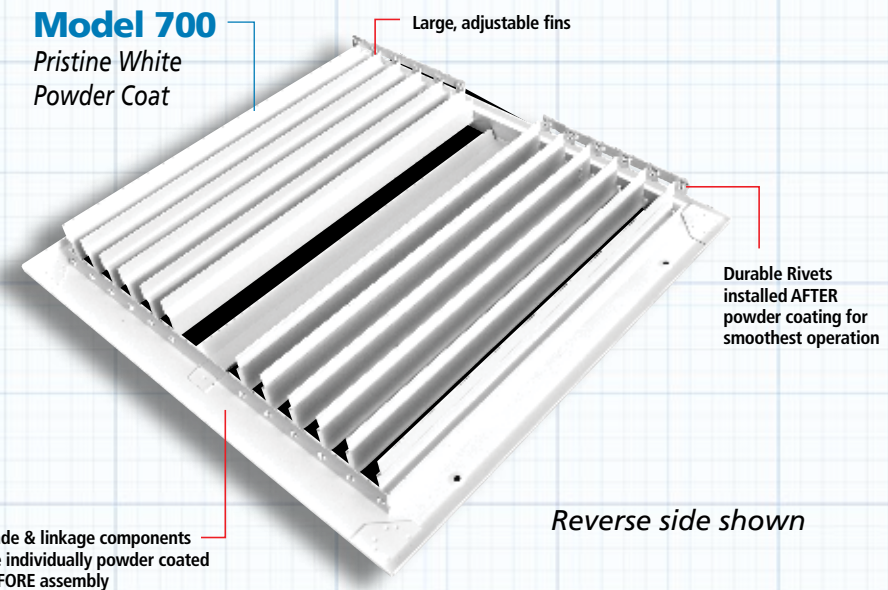
MODEL 700



Shown Open



Shown Closed



▶ Model Number Specifications **700 16 x 16**
 Stamped Louver Type Grille | Grille Height | Grille Width

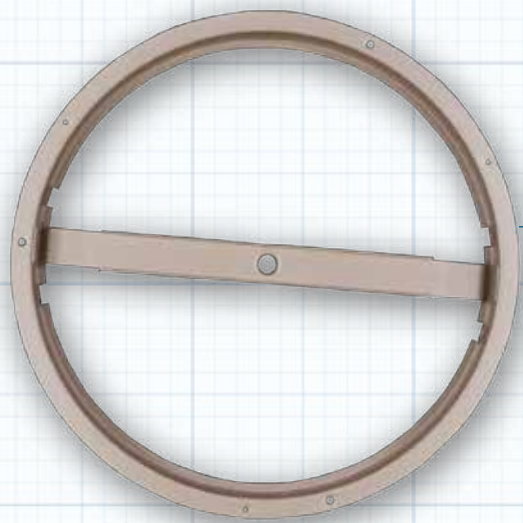
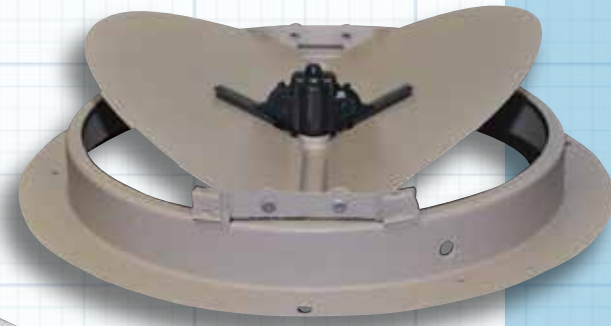
800 Series

Simple, versatile, easy to operate, and easy to install. The 800 Series register face is the same pristine white powder-coat we use on everything we make. There are two different damper configurations to choose from, and both of them work with our ceiling mounted diffusers.

Model 800 Register Face



Model 801
Butterfly damper & installation ring



Model 803
Installation ring only

Features

- Steel construction
- Countersunk screw holes
- Pristine white powder coat finish
- Optional butterfly damper

Product Detail

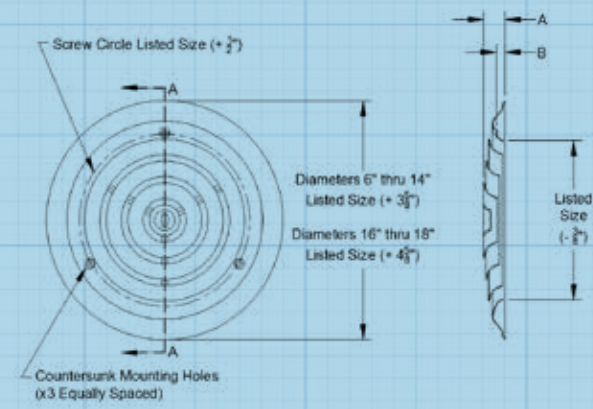


Operating Handle



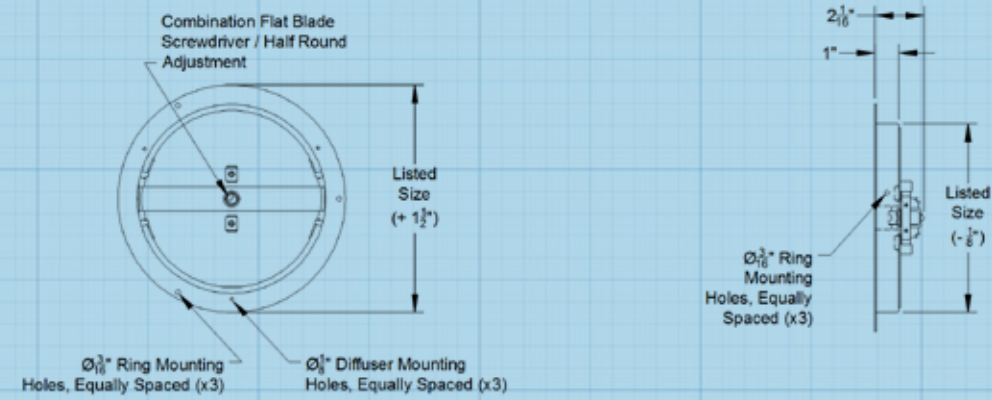
Butterfly Damper

MODEL 800

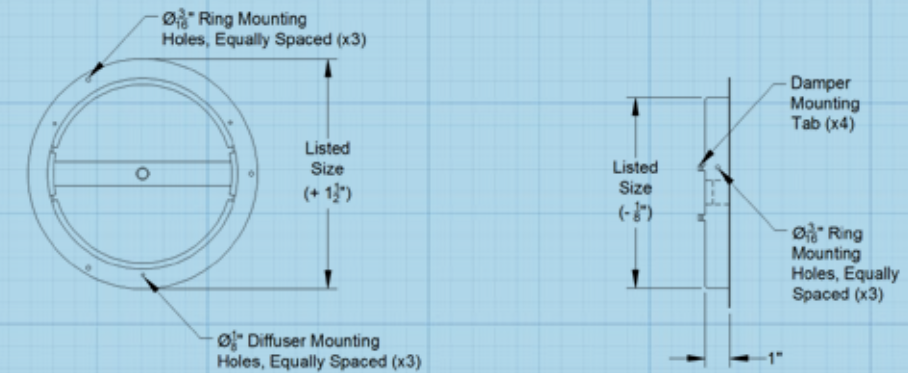


Nominal Size	Dimensions	
	"A"	"B"
6"	1 1/8"	7/16"
8"	1 1/8"	7/16"
10"	1 1/8"	7/16"
12"	1 1/4"	7/16"
14"	1 3/8"	7/16"
16"	1 5/8"	1/2"
18"	2"	1/2"

MODEL 801



MODEL 803



Model Number Specifications 803 X 10

- Round Ceiling Diffusers
Surface Mount
Damper & Mounting Ring Options
- 0 = Round Diffuser
 - 1 = Damper & Mounting Ring
 - 3 = Mounting Ring

- Nominal Duct Diameter
- 06 = 6"Ø
 - 08 = 8"Ø
 - 10 = 10"Ø
 - 12 = 12"Ø
 - 14 = 14"Ø
 - 16 = 16"Ø
 - 18 = 18"Ø

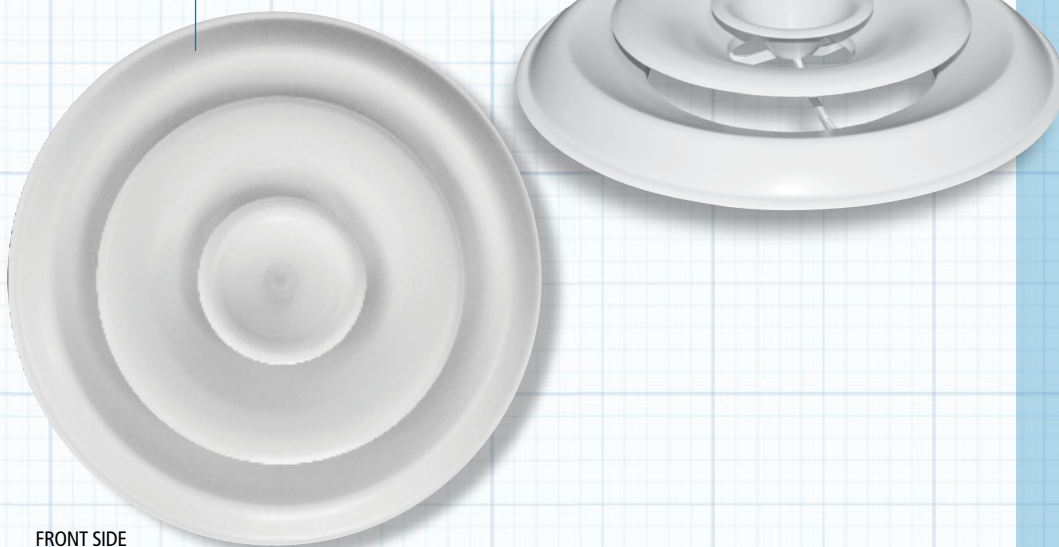
880 Series

The 880 Series Round Commercial Diffusers are step-down ringed diffusers which are used to cover duct openings. Our product is constructed to ensure maximum airflow and the simple design will ensure that this duct diffuser streams air directly into your room. Made of high quality steel with a white powder coat finish each of our step down diffuser rings deflect the air stream 360 degrees.

Model 880

Round Commercial Diffuser

PROFILE VIEW

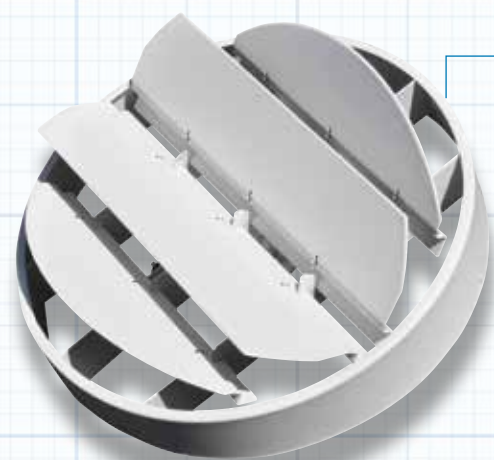


Features

- Steel construction
- 3 Cones
- Uniform 360° airflow pattern
- Removable center core
- Pristine white powder coat finish
- Optional surface mount ring
- Optional opposed blade damper

Model 881

Round Opposed Blade Damper



Product Detail



3 Tier Step-Down



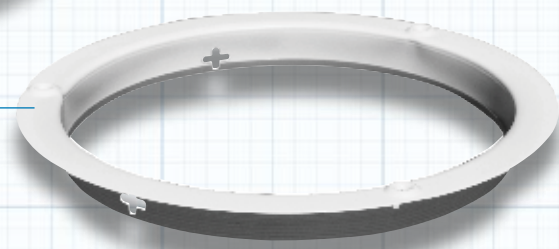
Durable Louvered Design



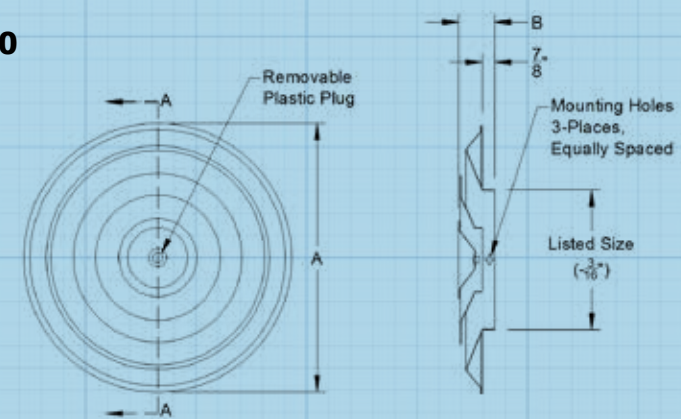
360-degree pattern, horizontal to vertical pattern change

Model 883

Round Surface Mount Ring

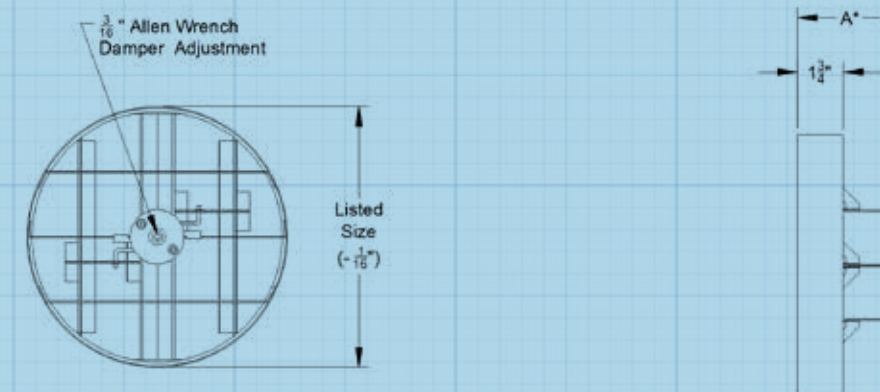


MODEL 880

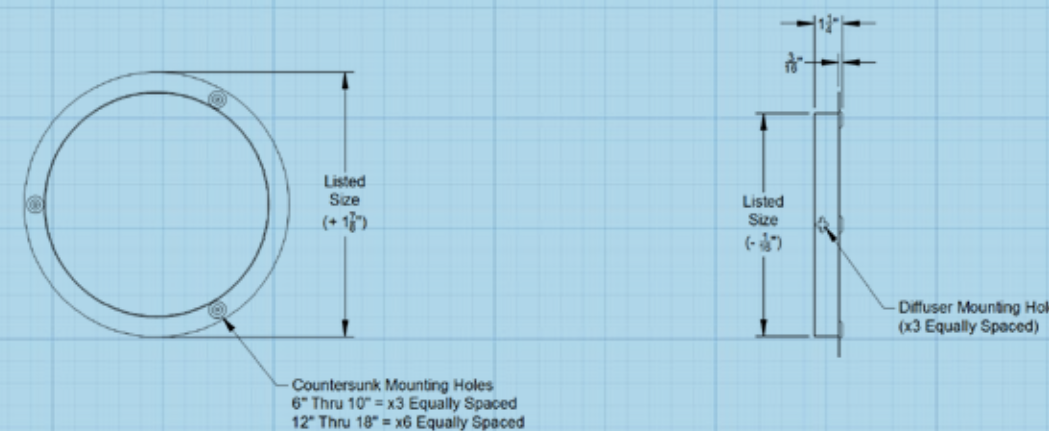


Nominal Size	Dimensions	
	"A"	"B"
6"	11 1/4"	2 1/2"
8"	14 3/4"	2 1/2"
10"	18 1/2"	2 1/2"
12"	22"	3 3/8"
14"	25 1/4"	4"
16"	28 3/4"	4 3/8"
18"	32 1/4"	4 3/4"

MODEL 881



MODEL 883



Model Number Specifications

883 X 10

Round Ceiling Diffuser
Duct Mount
Damper & Mounting Ring Options

- 0 = Round Duct Diffuser
- 1 = Opposed Blade Damper
- 3 = Mounting Mounting Ring

Nominal Duct Diameter

- 06 = 6"Ø
- 08 = 8"Ø
- 10 = 10"Ø
- 12 = 12"Ø
- 14 = 14"Ø
- 16 = 16"Ø
- 18 = 18"Ø

A210 Series - Aluminum

Among the most versatile of all supply registers, the A210 Series Single Deflection register is available in a wide variety of configurations for almost any application. These registers feature an attractive and highly effective open blade design which allows increased airflow when compared to any stamped fin design. The single row of adjustable airfoil designed blades can be oriented horizontally or vertically.

Whether ceiling or sidewall, commercial or residential, these register delivers high capacity airflow, style & solid construction.

Model A210H

Adjustable Horizontal Blades
No Damper



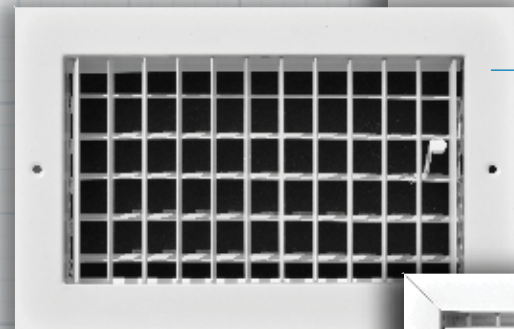
Model A210V

Adjustable Vertical Blades
No Damper



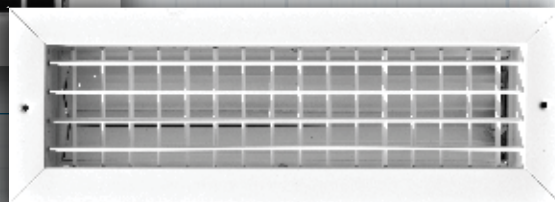
Model A210VM

Adjustable Vertical Blades
SmoothGlide Multi-Shutter Damper



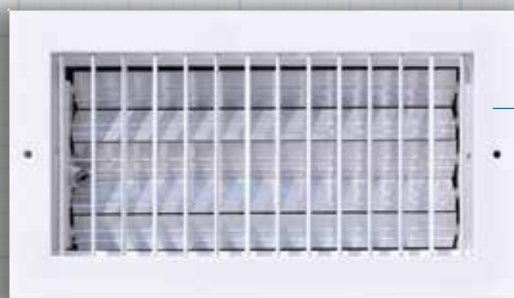
Model A210HO

Adjustable Horizontal Blades
Opposed Blade Damper



Model A210VO

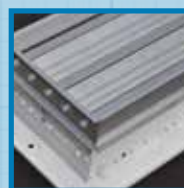
Adjustable Vertical Blades
Opposed Blade Damper



Features

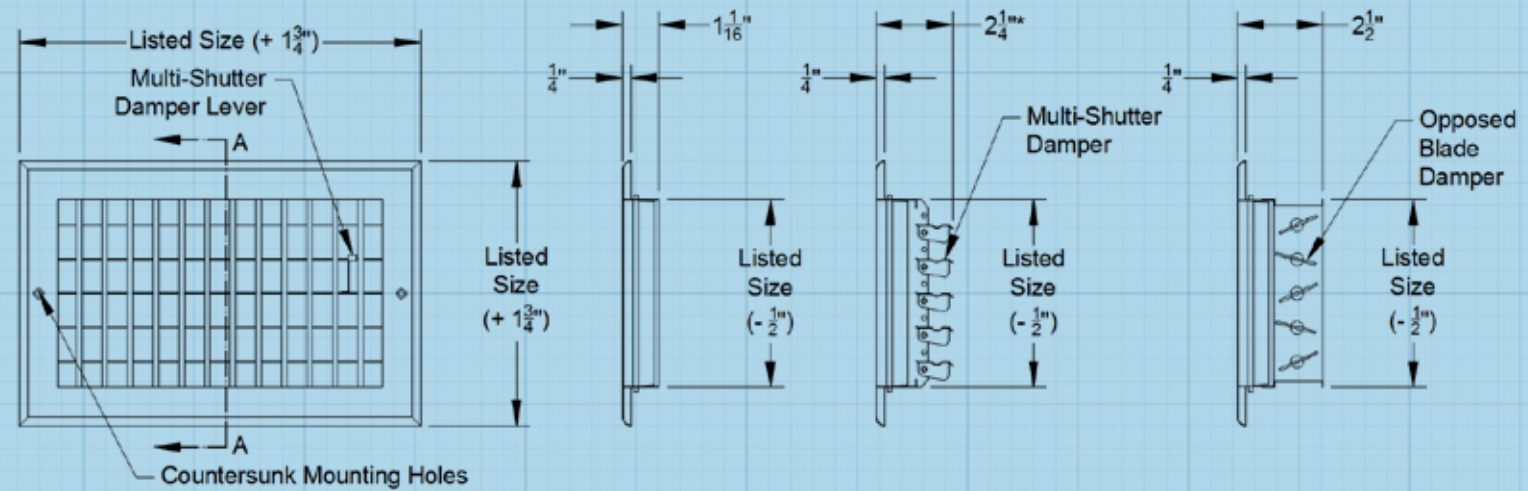
- Aluminum construction
- One piece frame (up to 14 x 10)
- 3/4" blade spacing
- Countersunk screw holes
- Individually adjustable horizontal or vertical airfoil blades
- Pristine white powder coat finish
- Optional SmoothGlide multi-shutter damper
- Optional opposed blade damper

Product Detail



Durable Nylon Bushings

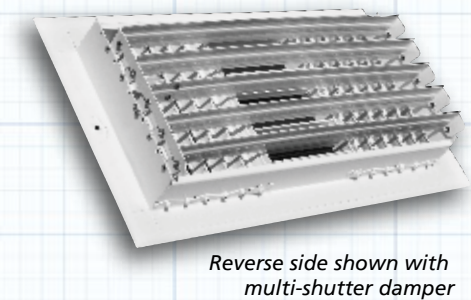
MODEL A210



A210 Series Options

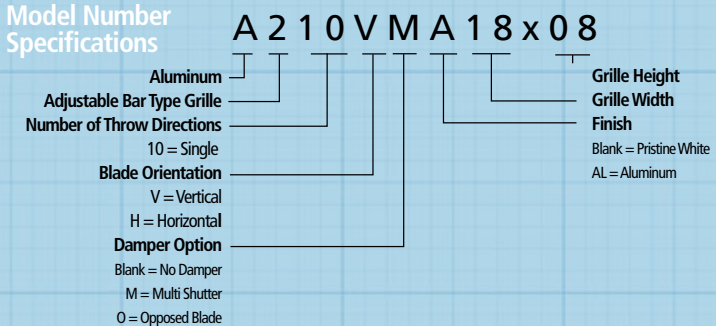
Opposed Blade Damper (OBD)

Top notch craftsmanship includes nylon bushings to ensure the aluminum blades stay in place according to the airflow requirements.



Reverse side shown with multi-shutter damper

Model Number Specifications



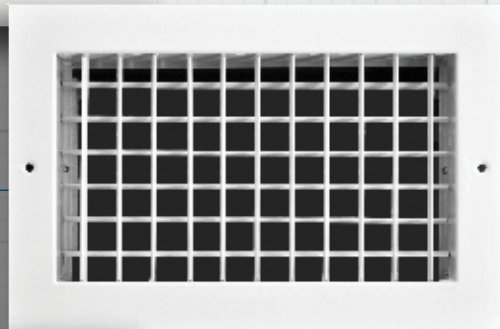
A220 SERIES - Aluminum

TRUaire's A220 Series Double-Deflection registers represent the top-of-the line adjustable bar-type product. These registers feature two perpendicular rows of individually adjustable airfoil blades for maximum airflow control. They can be ordered with the horizontal row in front, (A220H), or with the vertical row in front, (A220V).

Whether commercial or residential, using an opposed blade damper or no damper at all, the A220 Series register delivers high capacity airflow with a sleek aesthetic style and rock solid construction.



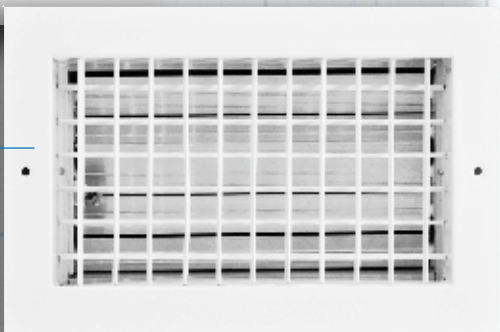
Model A220H
Adjustable
Horizontal Blades
No Damper



Model A220V
Adjustable Vertical Blades
No Damper



Model A220HO
Adjustable
Horizontal Blades in front
Opposed Blade Damper



Model A220VO
Adjustable
Vertical Blades in front
Opposed Blade Damper

NOTE: Also available in steel.
See the 220 Series

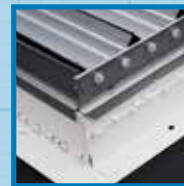
Features

- Aluminum construction
- One piece frame (up to 14 x 10)
- 3/4" blade spacing
- Countersunk screw holes
- Individually adjustable horizontal or vertical airfoil blades
- Pristine white powder coat finish
- Optional opposed blade damper

Product Detail

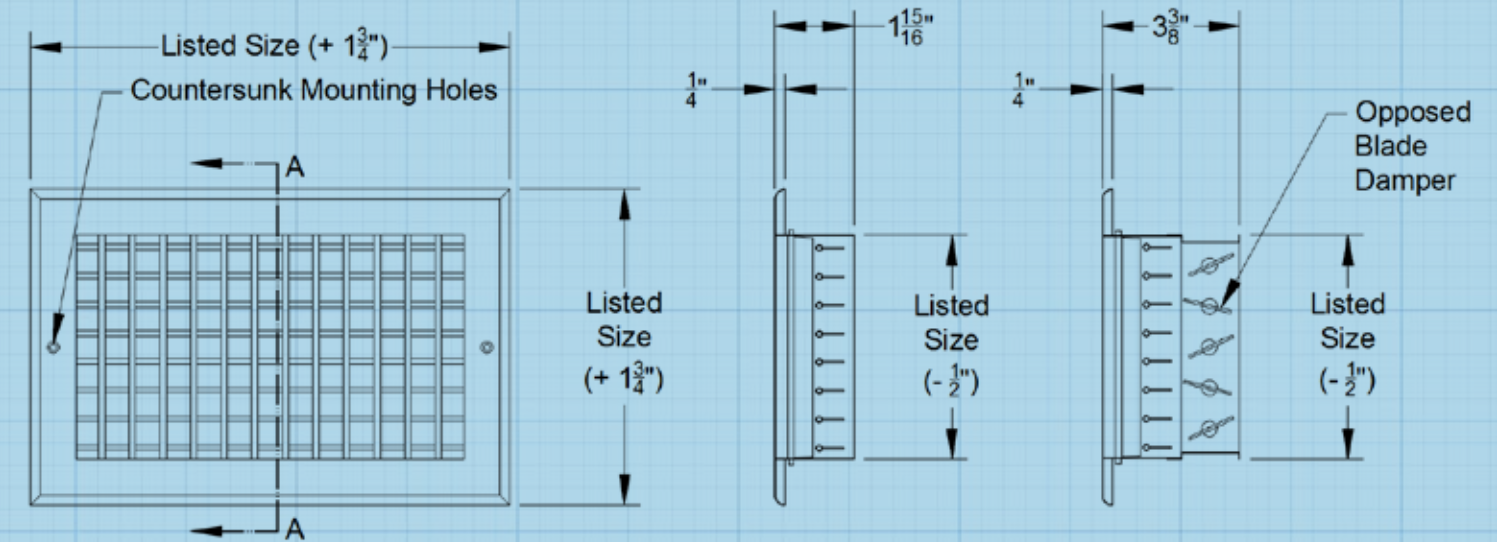


Square Corners



Nylon Bushings add tension to damper blades

MODEL A220



A220 Series Options

Opposed Blade Damper (OBD)

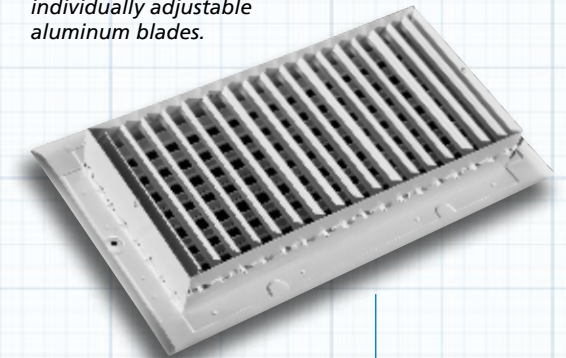
Top notch craftsmanship includes nylon bushings to ensure the aluminum blades stay in place according to the airflow requirements.



Model A220HO
Reverse side shown

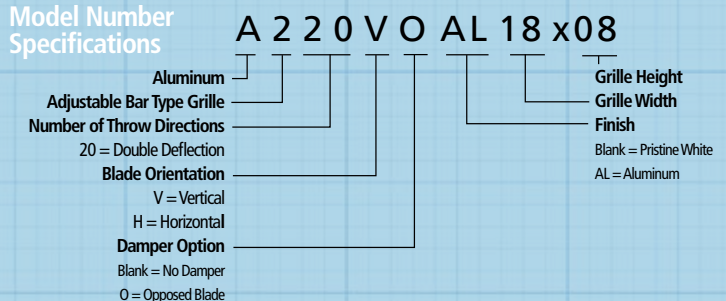
Standard Configuration

Two perpendicular rows of individually adjustable aluminum blades.



Model A220H
Reverse side shown

Model Number Specifications

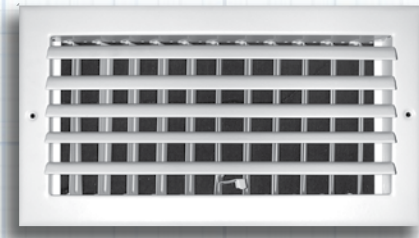


A300 Series - Aluminum

Truair's A300 series diffusers are the best of the best. Individually adjustable curved blades combined with 5 different face patterns provide the ultimate in air control. These sleek diffusers are made of aluminum so they are light-weight and will not rust. You can even add the extra control of our high-quality opposed blade damper.

Model A301HM

Curved Blade - 1 Way



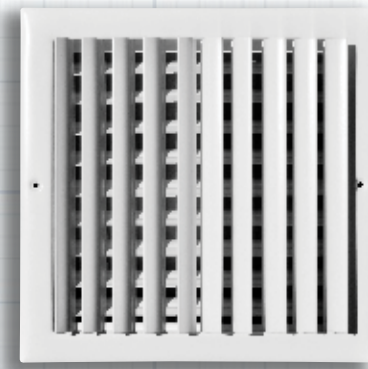
Model A302HM

Curved Blade - 2 Way Horizontal



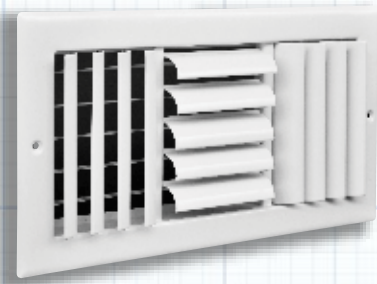
Model A302M

Curved Blade - 2 Way Vertical



Model A303M

Curved Blade - 3 Way



Model A304M

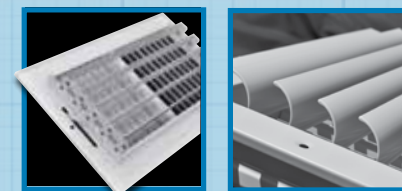
Curved Blade - 4 Way



Features

- Aluminum construction
- One piece frame (up to 14 x 10)
- Countersunk screw holes
- Individually adjustable curved blades
- Optional SmoothGlide multi-shutter damper
- Pristine white powder coat finish
- Optional opposed blade damper

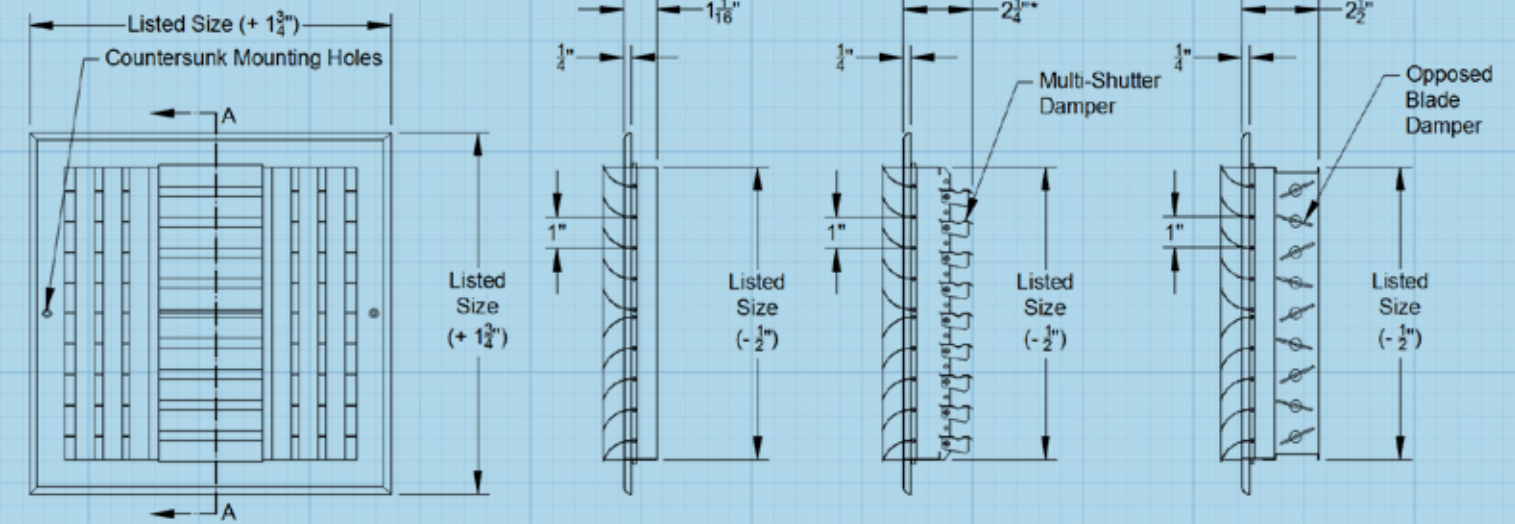
Product Detail



SmoothGlide dampers

Large, adjustable blades

MODEL A300

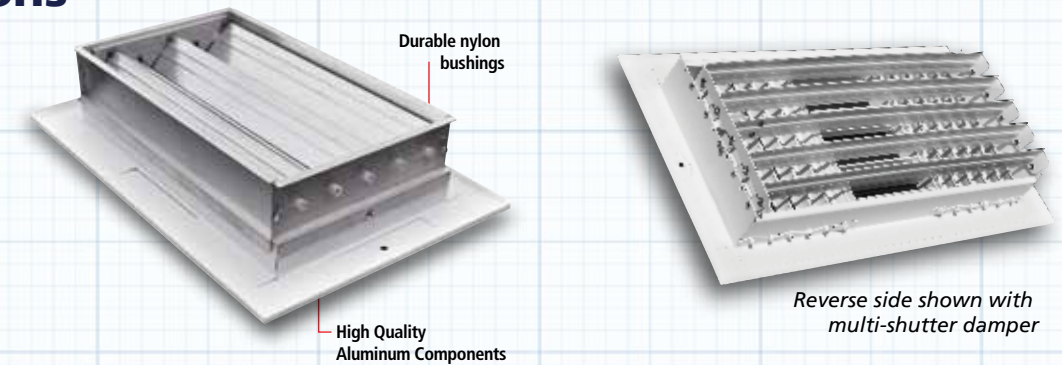


A304 shown; all dimensions are typical.

A300 Series Options

Opposed Blade Damper (OBD)

Top notch craftsmanship includes nylon bushings to ensure the aluminum blades stay in place according to the airflow requirements.



Available Throw Patterns:

1-Way, Down



2-Way Horizontal



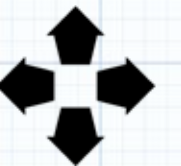
2-Way Vertical



3-Way



4-Way



Model Number Specifications

A 3 0 2 H M G AL 18 x 08

- A** Aluminum
- 3** Curved Blade Type Grille
- 0** Number of Throw Directions
- 2** 1 = 1 Way
- H** 2 = 2 Way
- M** 3 = 3 Way
- G** 4 = 4 Way
- AL** Blade Orientation (1 Way or 2 Way Only)
- 18** Blank = Vertical
- x08** H = Horizontal
- Grille Height**
- Grille Width**
- Finish**
- Blank = Pristine White
- AL** = Aluminum
- Gasket Option**
- Blank = No Gasket
- G** = Gasket
- Damper Option**
- Blank = No Damper
- M** = Multi-shutter
- O** = Opposed Blade Damper

A400 SERIES

TRUaire's A400 series is a stamped aluminum register at heart but with a big difference. Unlike the 100 series stamped steel register, the blades on the face of the A400 series are stamped in a curve. This configuration provides a classy look, and a more even air pattern, all with the cost benefit of stamped steel.

Model A401M

Stamped Curved Blade
1 Way Horizontal



Model A402M

Stamped Curved Blade
2 Way Horizontal



Model A402VM

Stamped Curved Blade
2 Way Vertical



Model A403M

Stamped Curved Blade - 3 Way



Model A404M

Curved Blade - 4 Way



Features

- Aluminum construction
- Countersunk screw holes
- Curved blade face
- SmoothGlide multi-shutter damper
- Pristine powder coat finish

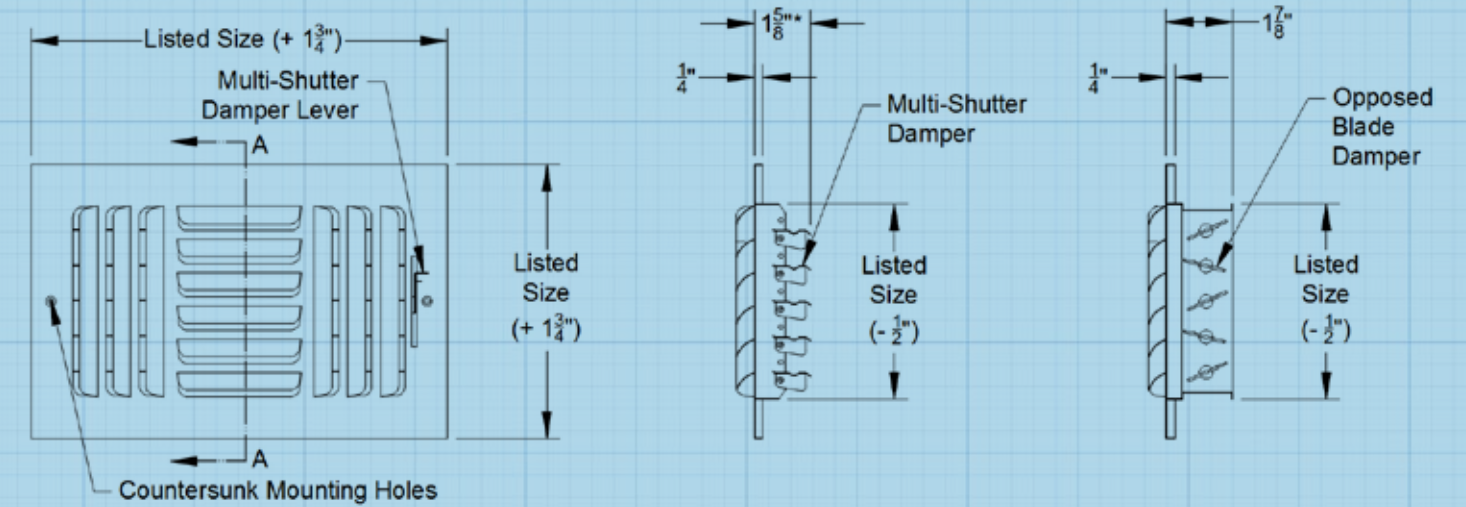
Product Detail



Detail View of Damper Latch

Stamped Curved Blade Detail

MODEL A400

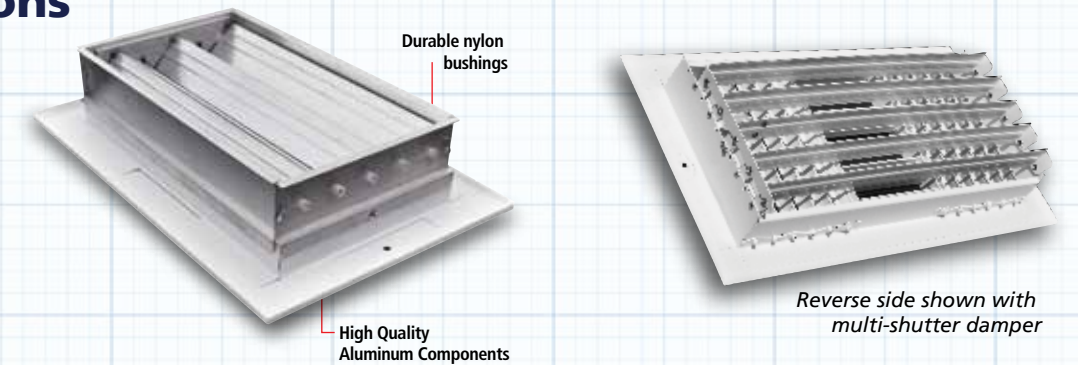


403M Shown; all dimensions are typical for all 400/450/460 series

A400 Series Options

Opposed Blade Damper (OBD)

Top notch craftsmanship includes nylon bushings to ensure the aluminum blades stay in place according to the airflow requirements.



Available Throw Patterns:

1-Way, Down



2-Way Horizontal



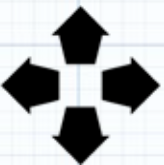
2-Way Vertical



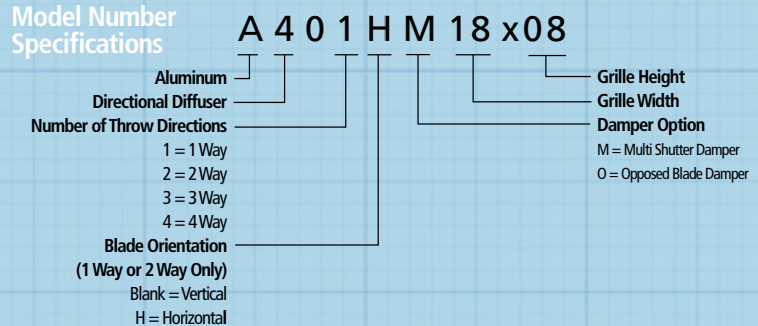
3-Way



4-Way



Model Number Specifications



A500 Series - Aluminum

The A500 Series represents a great blend of form and function. The extruded aluminum blade and frame design is sleek and finished with our pristine white powder-coat process. The mitered corners are clean to the point of barely a notice.

At the same time, the durability of extruded aluminum won't rust and the sturdy frame and blade design come together for a lifetime of use. The A500 Series is available in a variety of airflow configurations and two different damper designs. Altogether then, this diffuser is as flexible as it is attractive.

Model A501M

Ceiling Diffuser - 1 Way



Model A502M

Ceiling Diffuser - 2 Way



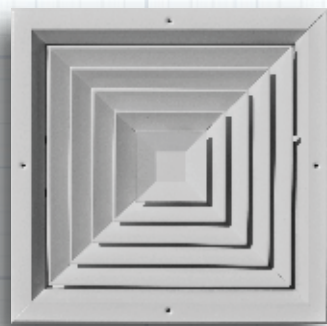
Model A503M

Ceiling Diffuser - 3 Way



Model A504M

Ceiling Diffuser - 4 Way



Model A505M

Ceiling Diffuser - 2 Way Corner



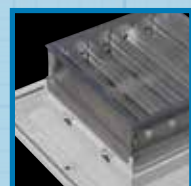
Features

- Extruded aluminum construction
- Mitered corners
- Countersunk screw holes
- 5 air patterns
- SmoothGlide multi-shutter damper
- Pristine white powder coat finish
- Optional opposed blade damper

Product Detail

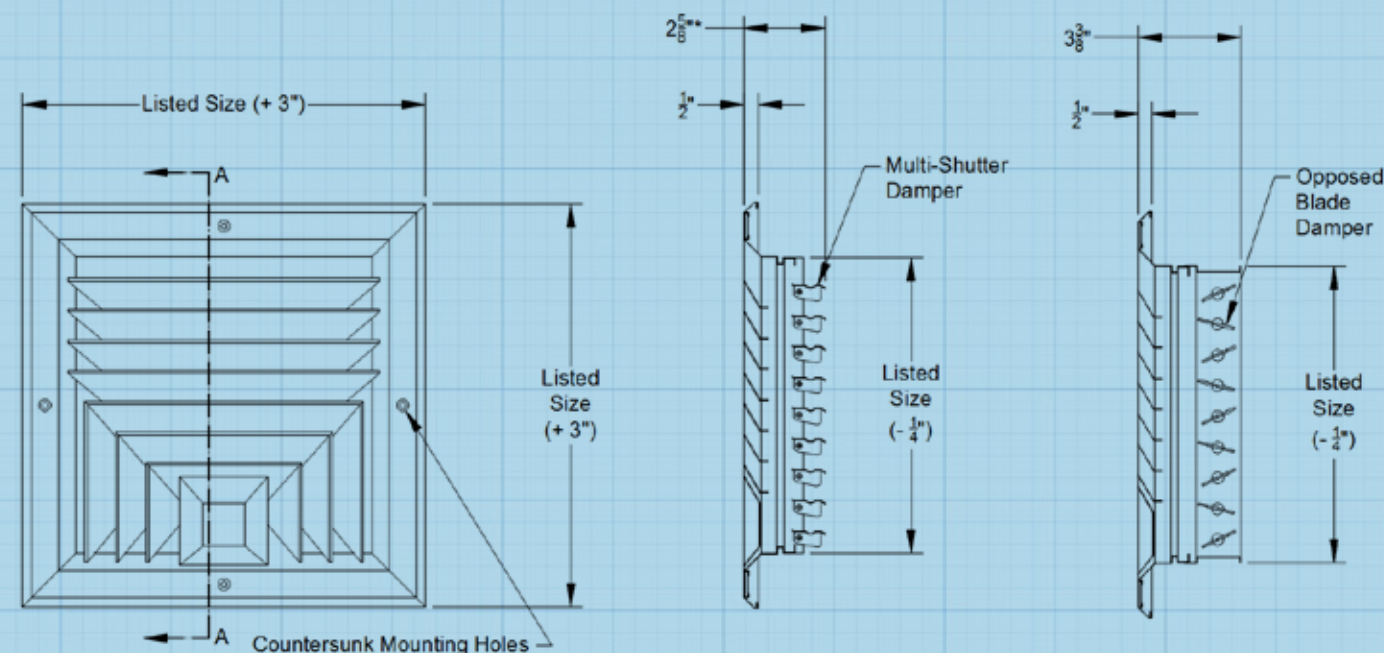


Mitered Frame Corner



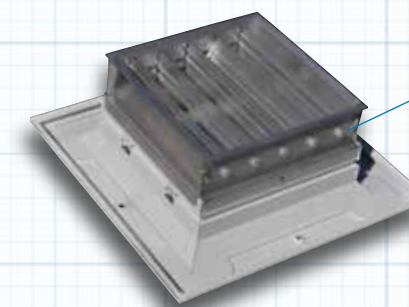
Optional OBD Damper

MODEL A500



A503M shown; all dimensions are typical.

A500 Series Options



Opposed Blade Damper (O)

Our top of the line OBD Damper for the ultimate in air control

Available Throw Patterns:

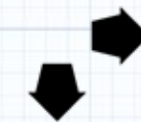
1-Way, Down



2-Way Horizontal



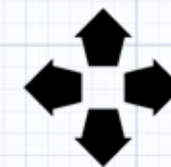
2-Way Corner



3-Way



4-Way



Model Number Specifications

A 5 0 2 M 18 x 08

- Aluminum Directional Diffuser
- Number of Throw Directions:
 - 1 = 1 Way
 - 2 = 2 Way Parallel
 - 3 = 3 Way
 - 4 = 4 Way
 - 5 = 2 Way Corner
- Grille Height
- Grille Width
- Damper Option:
 - M = Multi-Shutter Damper
 - O = Opposed Blade Damper

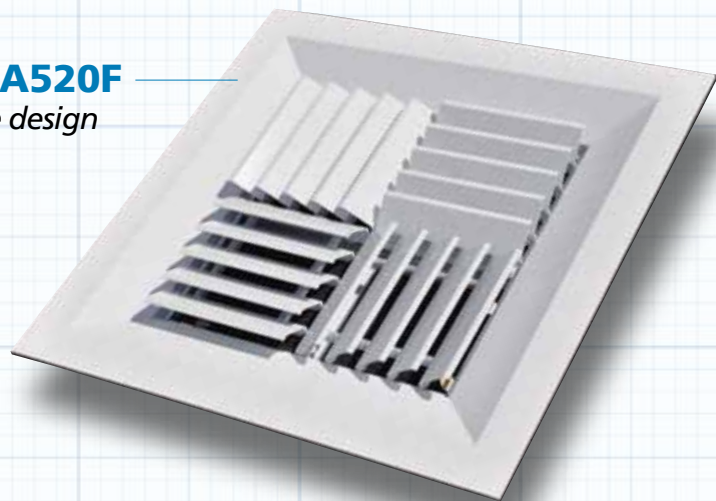
A520 Series

These modular core products are manufactured in a surface mount design, bringing total versatility to any drywall or sheetrock ceiling installation. Made with the highest quality extruded aluminum, the removable "cores" can be arranged in one, two, three, four, and two-way corner throw configurations.

TruAire proudly offers two architecturally different frame styles; featuring either flat-frame or bevel-frame designs and an optional high-quality aluminum opposed blade damper system.

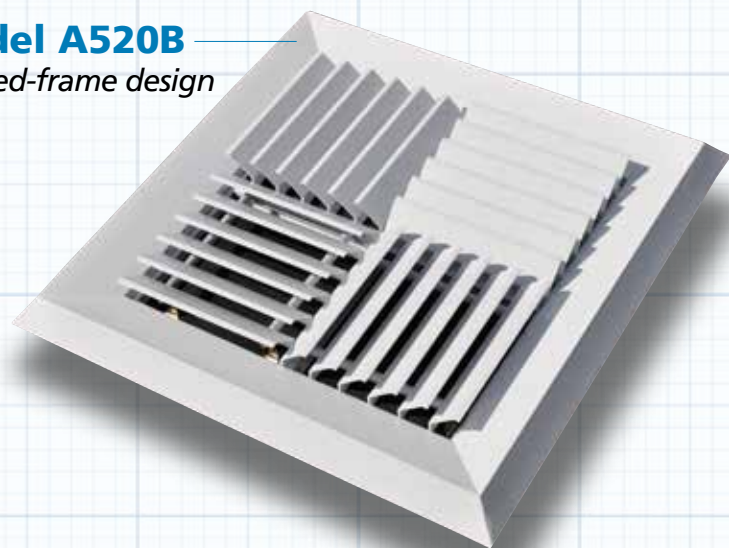
Model A520F

Flat-frame design



Model A520B

Beveled-frame design



Features

- Extruded aluminum construction
- Beveled or flat frame options
- Field configurable throw patterns; one, two, three or four way
- Pristine white powder coat finish
- Optional opposed blade damper

Product Detail

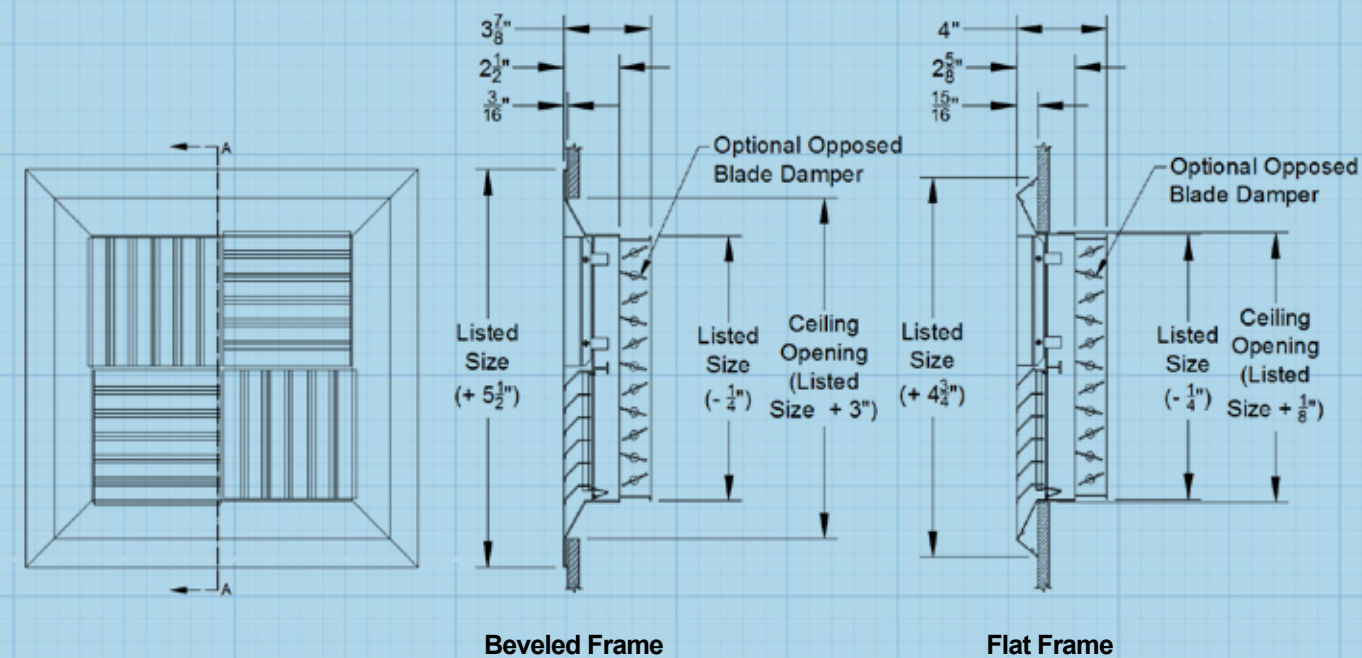


Beveled Frame Design



Flat Frame Design

A520 Series Options



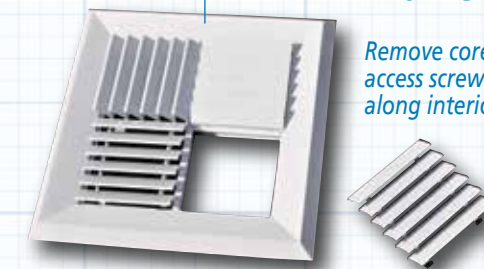
A520 Series Options

Optional Opposed Blade Damper
With quiet, high-quality nylon bushings



Model A520B Beveled Frame Design

Remove cores to access screw holes along interior frame



Field Configurable Throw Patterns:

1-Way



2-Way, Opposite



2-Way Corner



3-Way



4-Way



Model Number Specifications

A 5 2 0 F O 10 x 10

- A: Aluminum Modular Core Diffuser
- 5: Frame Type (F = Flat, B = Beveled)
- 2: Damper Option (Blank = No Damper, O = Opposed Blade Damper)
- 0: Grille Size (10x10)
- 10 x 10: Grille Size

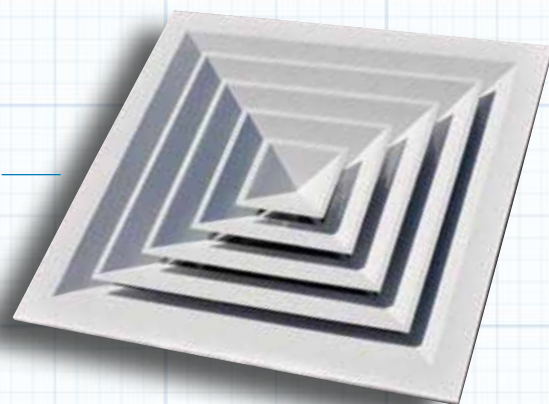
- Grille Size**
- 06X06 = 6" x 6"
 - 08X08 = 8" x 8"
 - 10X10 = 10" x 10"
 - 12X12 = 12" x 12"
 - 14X14 = 14" x 14"
 - 16X16 = 16" x 16"
 - 18X18 = 18" x 18"
 - 20X20 = 20" x 20"
 - 24X24 = 24" x 24"

A540 Series

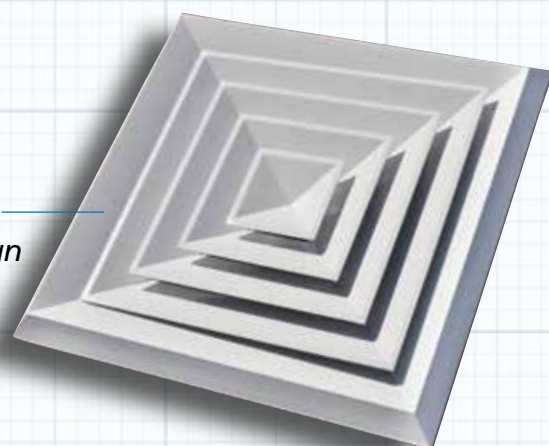
The Directional Diffusers made for surface mount installations represent an attractive alternative to other ceiling diffuser options. These diffusers are manufactured exclusively in highest quality extruded aluminum material, with removable cores and feature a sleek low profile blade design that comes in a Flat-frame or Beveled-frame style.

This is a versatile, attractive series for office installations with drywall/sheetrock ceilings instead of a T-Bar design. Each is available with optional aluminum opposed blade dampers and feature five airflow patterns.

Model A544F
Flat-frame design



Model A544B
Beveled-frame design



Features

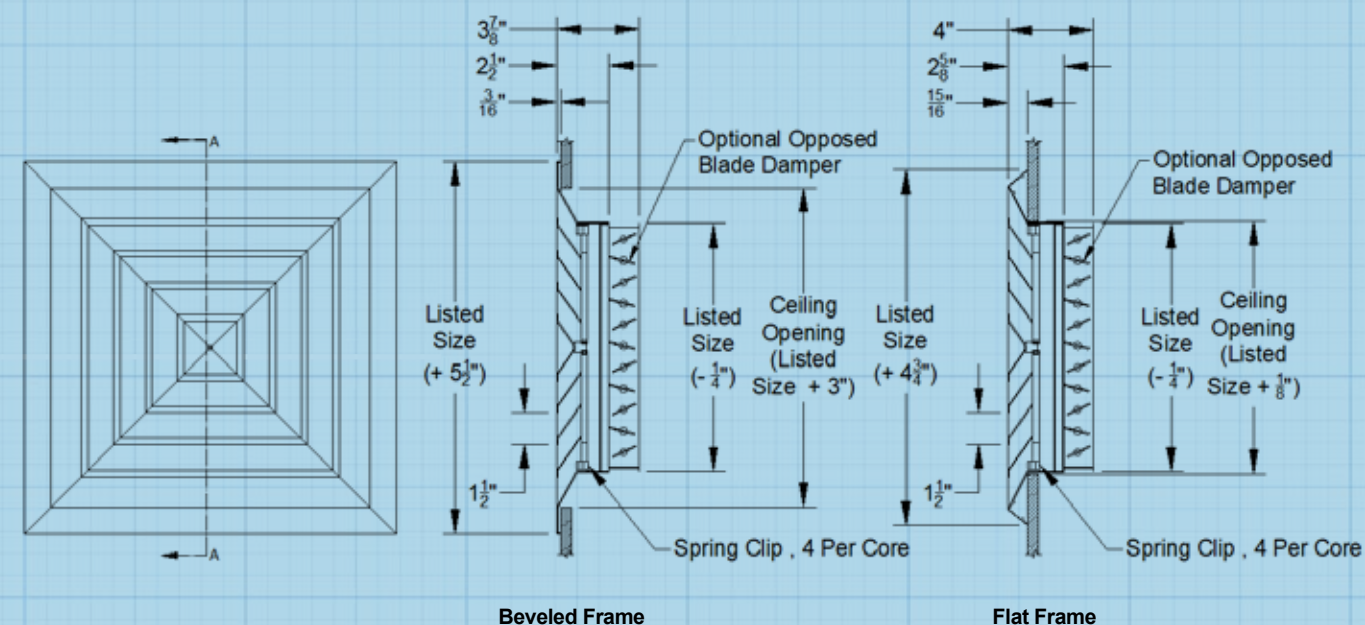
- Extruded aluminum construction
- Beveled or flat frame options
- 5 air throw patterns
- Removable core
- Pristine white powder coat finish
- Optional opposed blade damper

Product Detail



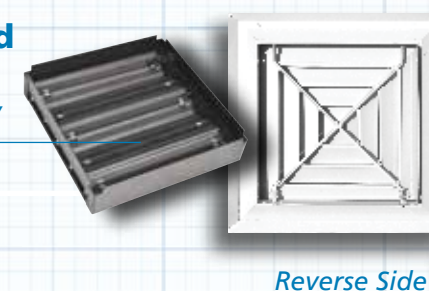
Beveled Frame Design Flat Frame Design

MODEL A540



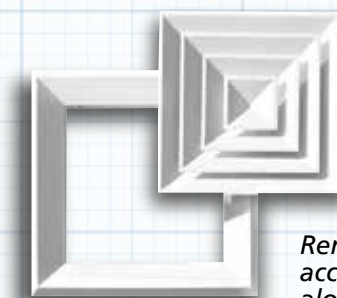
A540 Series Options

Optional Opposed Blade Damper
With quiet, high-quality nylon bushings



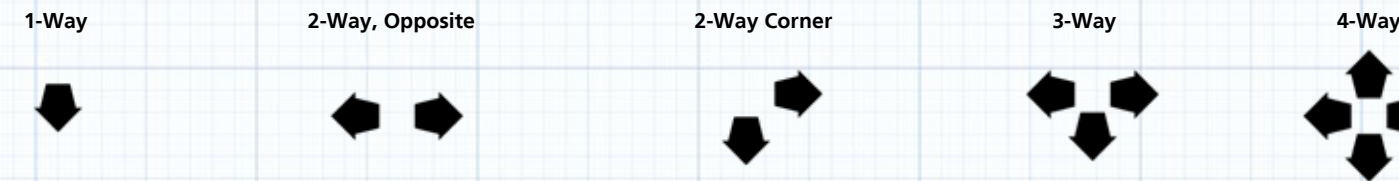
Reverse Side

Model A544B Beveled Frame
(Shown with core removed)



Remove cores to access screw holes along interior frame

Available Throw Patterns:



Model Number Specifications

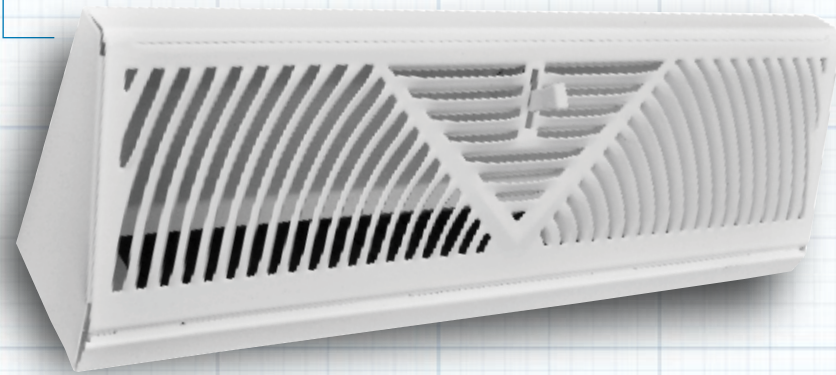
A	5	4	4	F	O	10	x10
Aluminum Modular Core Diffuser	Throw Directions	Frame Type	Damper Option	Grille Size			
	1 = 1 Way	F = Flat	Blank = No Damper	06X06 = 6" x 6"			
	2 = 2 Way Parallel	B = Beveled	O = Opposed Blade Damper	09X09 = 9" x 9"			
	3 = 3 Way			12X12 = 12" x 12"			
	4 = 4 Way			15X15 = 15" x 15"			
	5 = 2 Way Corner			18X18 = 18" x 18"			
				21X21 = 21" x 21" (4Way Only)			
				24X24 = 24" x 24" (4Way Only)			

115 / 118 / 120 Series

TRUaire proudly offers a sunburst blade pattern baseboard model manufactured with the same high-quality features including SmoothGlide dampers and powder-coat finishes. This model comes in three different lengths.

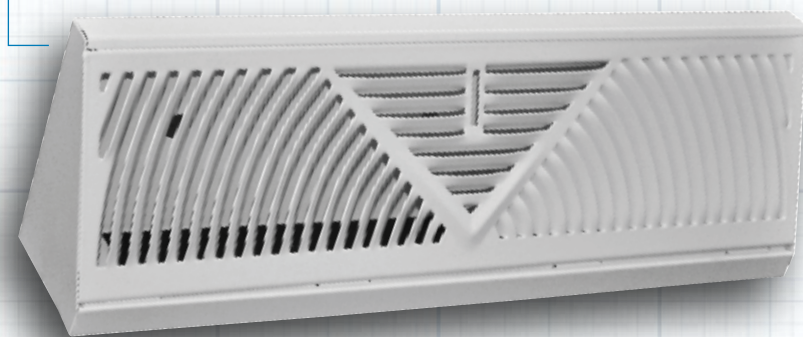
SUPPLY

15" Shown



RETURN

15" Shown



Features

- Steel construction
- Available in sunburst blade pattern
- Supply register furnished with SmoothGlide dampers
- Available in either non-scuff textured brown or pristine white powder coat finish

Product Detail

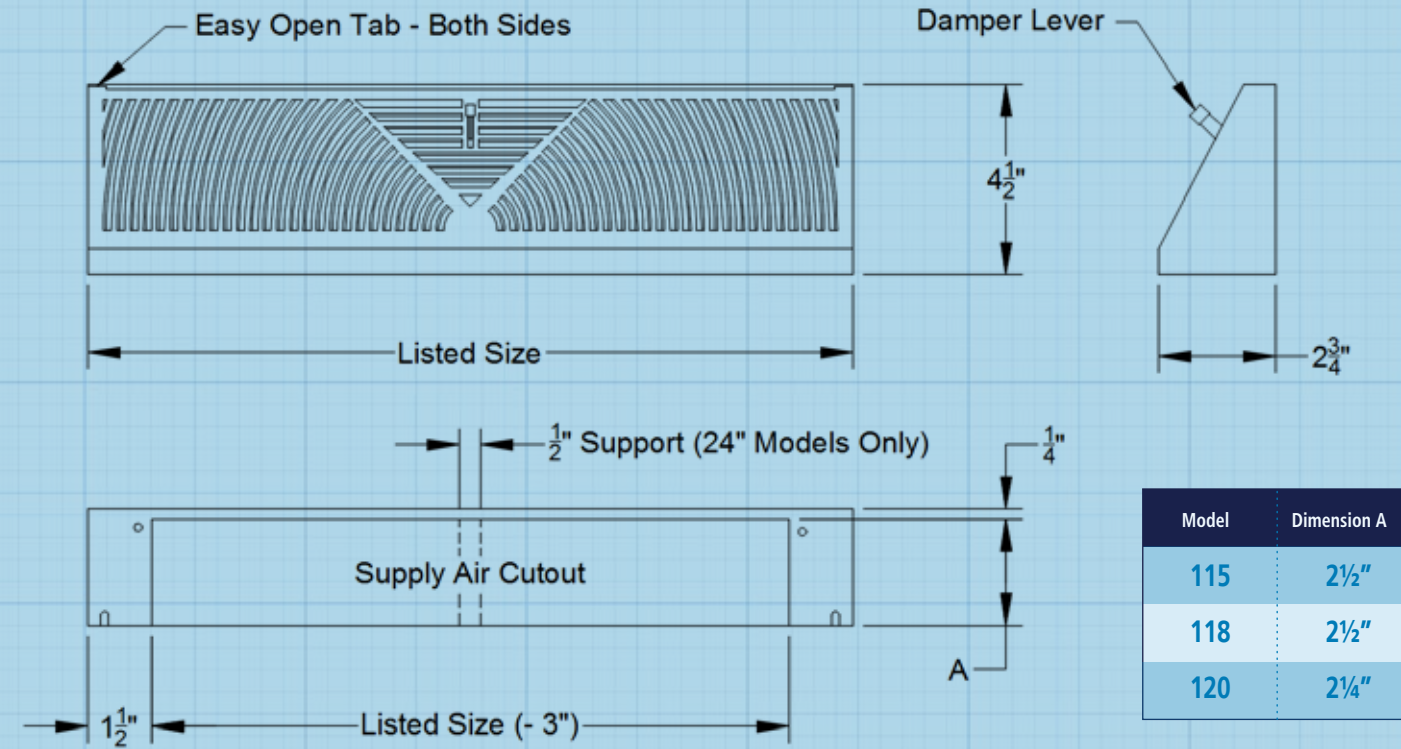


Detail View of Sunburst Fin Design



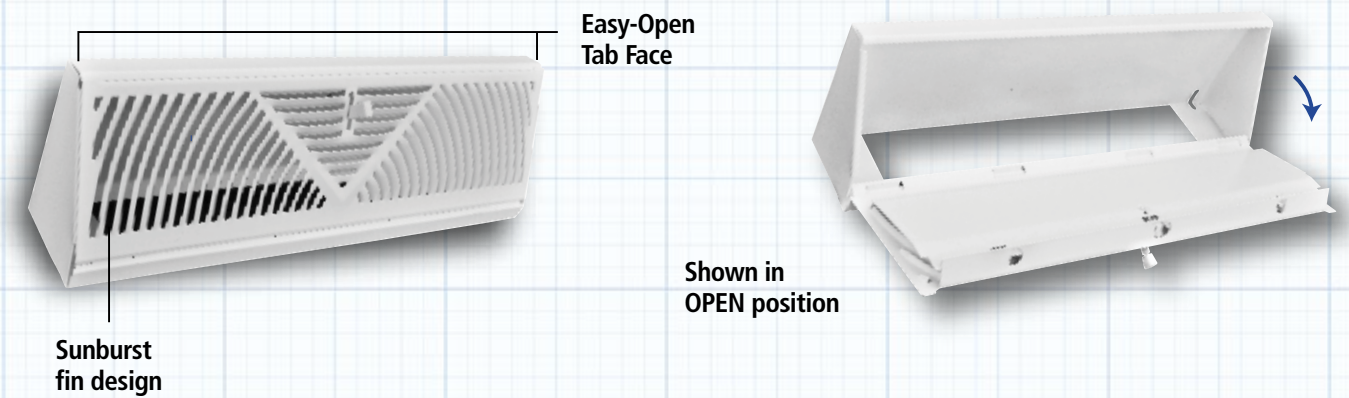
Easy-Open Tab Face

MODEL 115/118/120

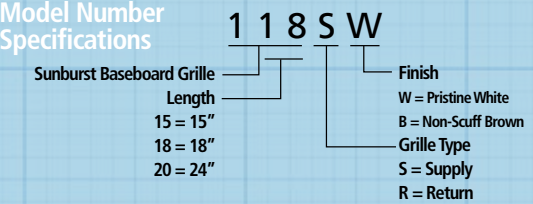


Model 115SW Supply

15" Shown - Also available in 18" & 24"



Model Number Specifications



PLEASE CONTACT US FOR ANY SIZES NOT LISTED

Designer Baseboard Series

Each of our decorative baseboard diffusers allow the ability to update your home's look while also improving the heating or cooling. Choose from plated steel, resin composite or solid oak designs. These grilles are easy to install along the baseboard due to the removable faceplate and cleaning them is a snap.

Features

- Steel construction (excluding models SWP and SBP)
- Models SWP and SBP are made from resin composite
- Sunburst blade pattern
- Easy opening tab face
- SmoothGlide damper (excluding SWP and SBP)

SUPPLY

RETURN

Oil Rubbed Bronze Finish



Oil Rubbed Bronze Finish



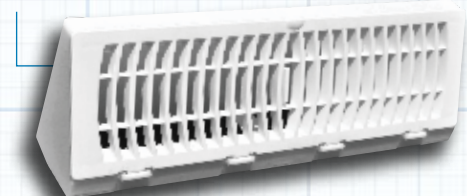
Satin Nickel Finish



Satin Nickel Finish



Resin Composite Baseboard White Finish



Resin Composite Baseboard Brown Finish



Finishes:

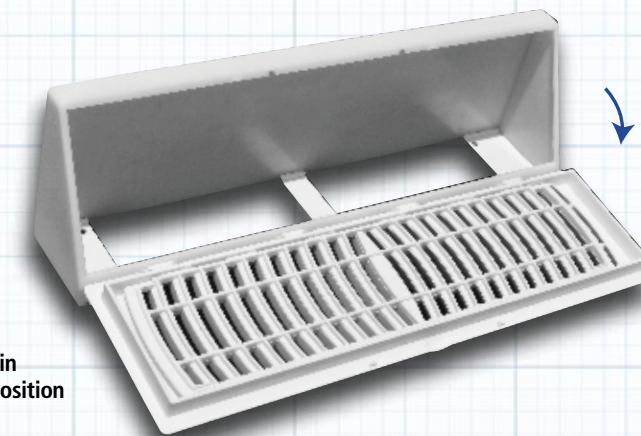
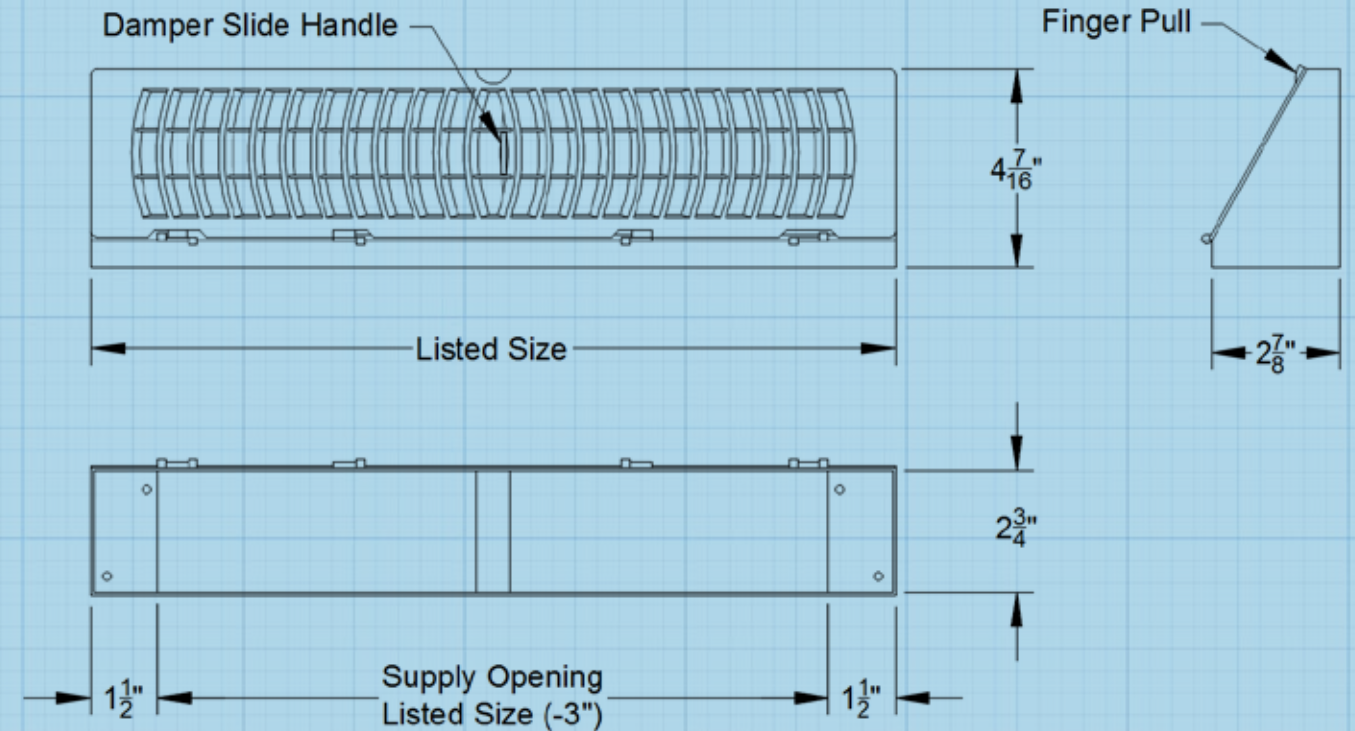


Product Detail



Resin Composite available in 2 finishes
Easy-Open Tab Face

MODEL 115_P/118_P



Shown in OPEN position

Model Number Specifications

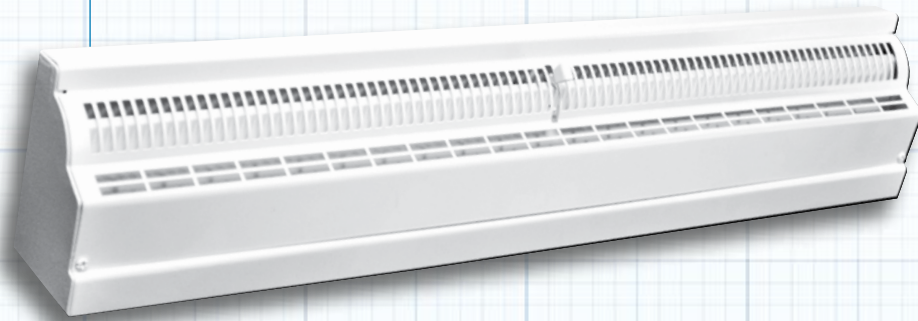
- 1 1 8 S R B**
- Sunburst Baseboard Grille
 - Length
 - 15 = 15"
 - 18 = 18"
 - 20 = 24"
 - Grille Type
 - S = Supply
 - R = Return
 - Finish (Only Available in 15" and 18" Models)
 - RB = Oil Rubbed Bronze
 - SN = Satin Nickel
 - W = Pristine White
 - WP = White Resin Composite
 - B = Brown
 - BP = Brown Resin Composite

121S Series

TRUaire offers a deluxe baseboard diffuser manufactured with the same high-quality features including SmoothGlide dampers and powder coat finishes. This model comes in either a 24" length or 48" length.

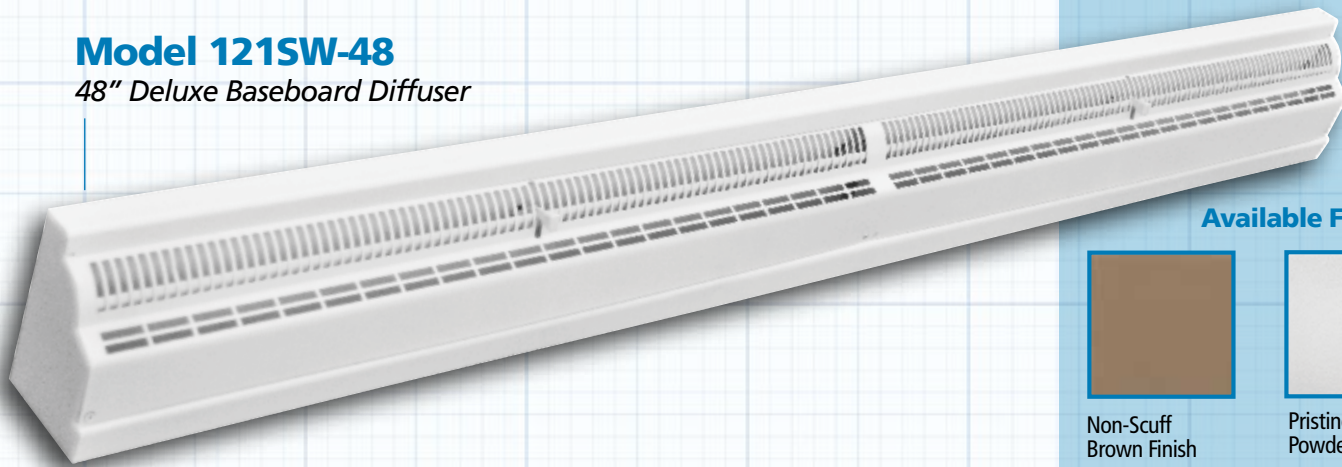
Model 121SW-24

24" Deluxe Baseboard Diffuser



Model 121SW-48

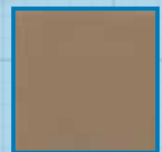
48" Deluxe Baseboard Diffuser



Features

- Steel construction
- Available in 24" and 48" lengths
- Supply register furnished with dampers
- Available in either non-scuff textured brown or pristine white powder coat finish

Available Finishes

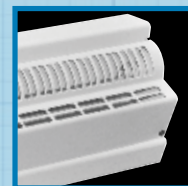


Non-Scuff Brown Finish



Pristine White Powder Coat Finish

Product Detail

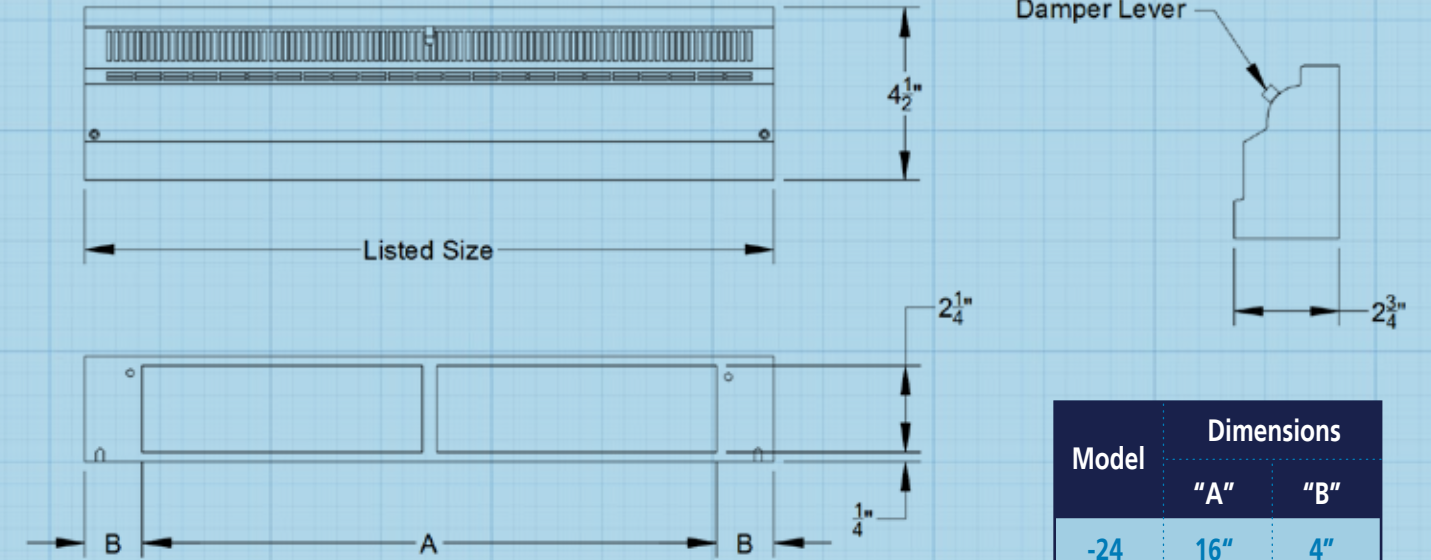


Slotted Vent Design



Detail View of Damper Latch

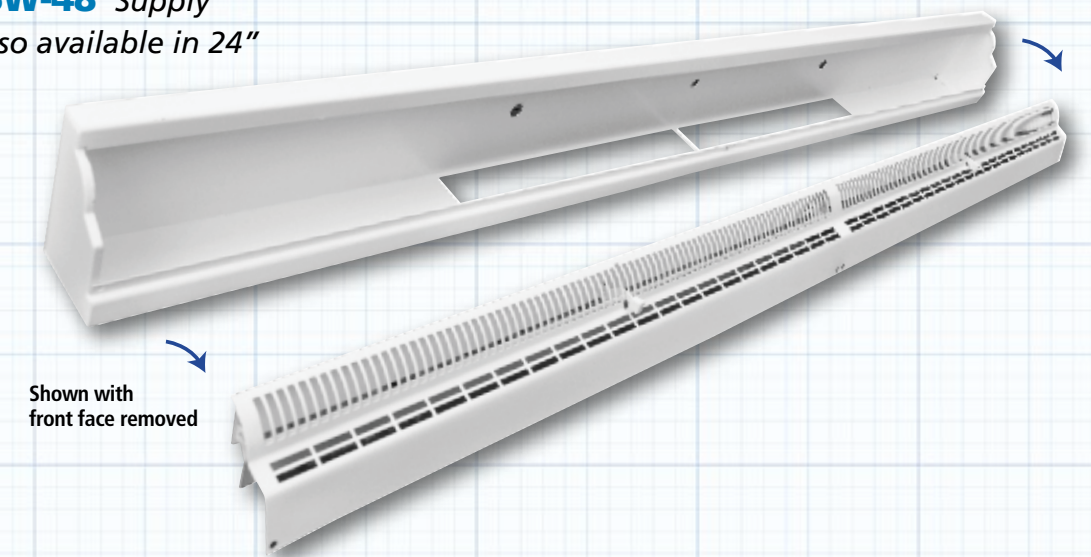
MODEL 121S



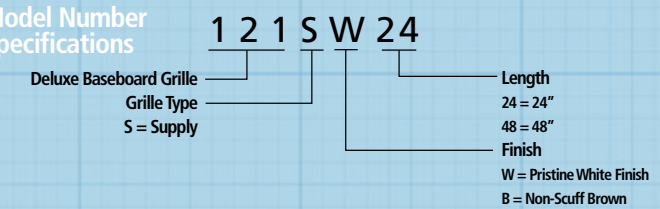
Model	Dimensions	
	"A"	"B"
-24	16"	4"
-48	24"	12"

Model 121SW-48 Supply

48" Shown - Also available in 24"



Model Number Specifications

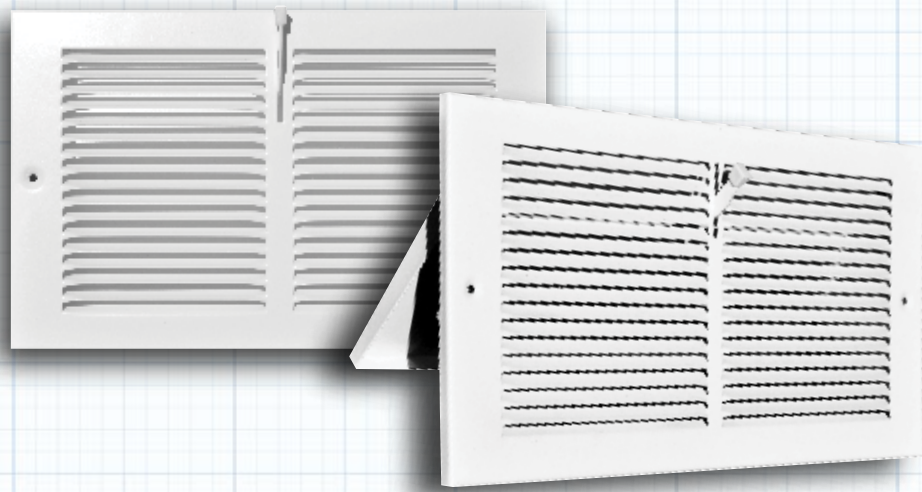


122 / 123 Series

TRUaire proudly offers a complete line of baseboard products, manufactured with the same high-quality features including SmoothGlide dampers and pristine powder-coating. Most of these models are available in 1/2" or 1/3" blade spacing.

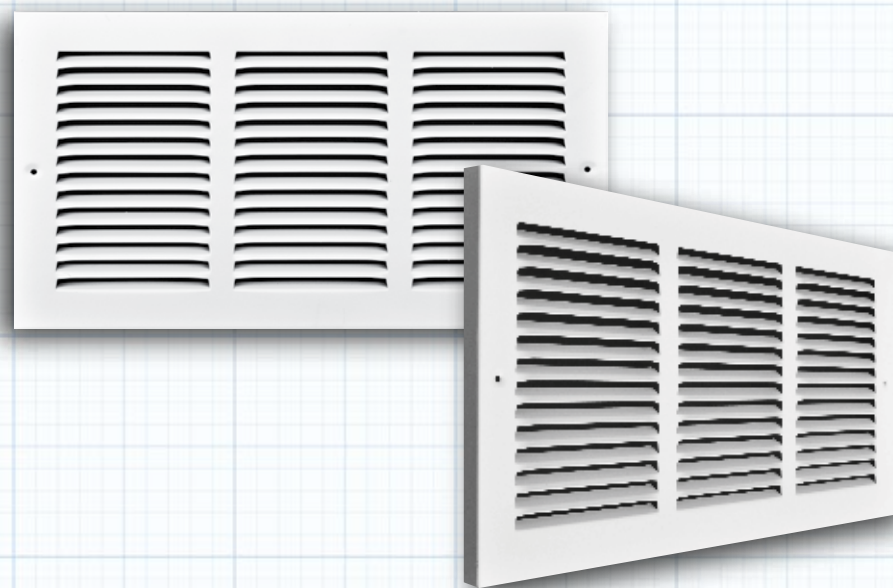
Model 123SD-1

One Way - 1/3" Spaced Blade - 1/4" Turnback



Model 122RW

One Way - 1/2" Spaced Blade - 3/4" Turnback



Features

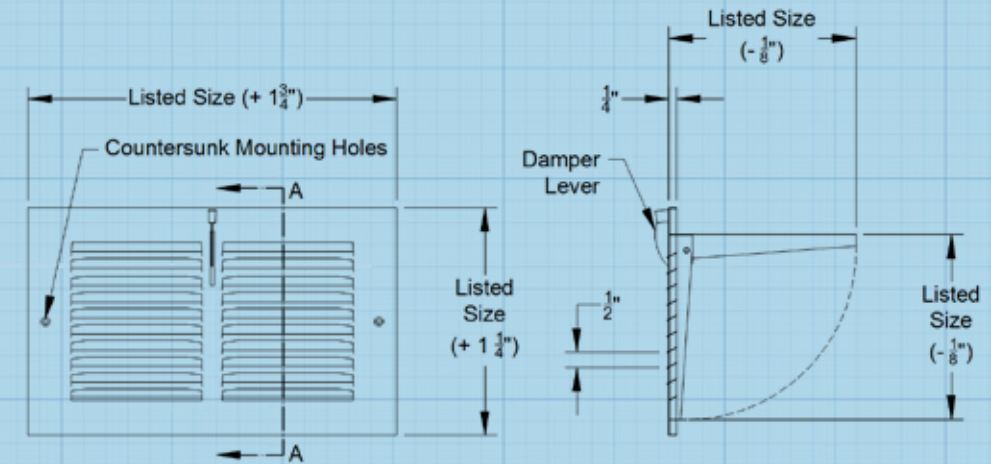
- Steel construction
- Available in 1/2" and 1/3" blade spacing
- Countersunk screw holes
- Supply register furnished with SmoothGlide damper
- Pristine white powder coat finish

Product Detail

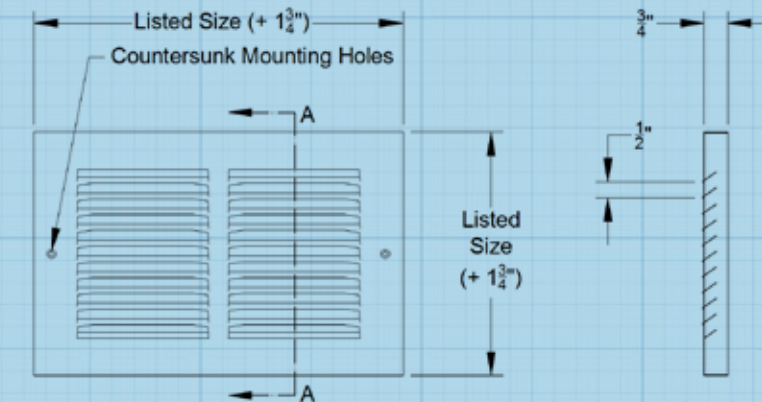


Center Damper Lever

MODEL 122SD



MODEL 122SR



3/4" turnback

1/3" inch blades

Model Number Specifications

1 2 2 S D 2 1 0 x 0 4

- Stamped Baseboard Grille
- Blade Spacing
2 = 1/2"
3 = 1/3"
- Supply with Damper
- Grille Height
- Grille Width
- Turnback Depth
1 = 1/4"
2 = 3/4" (Not available on 122SD)

SUPPLY

Model Number Specifications

1 2 2 R W 1 0 x 0 4

- Stamped Baseboard Grille
- Blade Spacing
2 = 1/2"
3 = 1/3"
- Grille Type
R = Return
- Grille Height
- Grille Width
- Finish
Pristine White Finish

RETURN

123M/124M/125T Series

TRUaire proudly offers a complete line of baseboard products, manufactured with the same high-quality features including SmoothGlide dampers and pristine powder-coating. Most of these models are available in a variety of fin designs, fin spacing, and in either white or brown finishes.

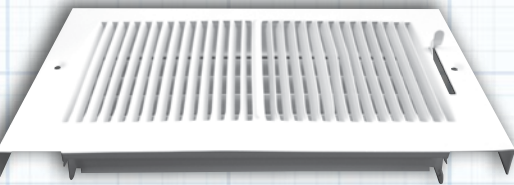
Model 123M

One Way - 1/3" Spaced Blade - 3/4" Turnback



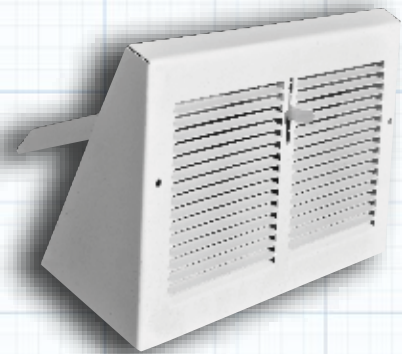
Model 124M

Sidewall Supply - Bottom Open - 3/4" Turnback



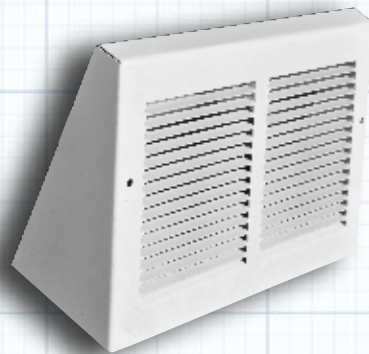
Model 125TS

Single Damper - Supply
1/3" Blade Spacing



Model 125TR

No Damper - Return
1/3" Blade Spacing



Features

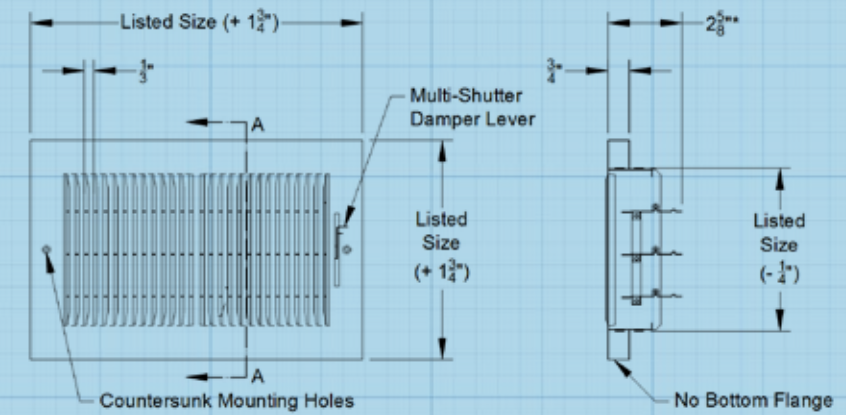
- Steel construction
- Available in 1/3" blade spacing
- Countersunk screw holes
- Supply register furnished with SmoothGlide dampers
- Pristine white powder coat finish

Product Detail

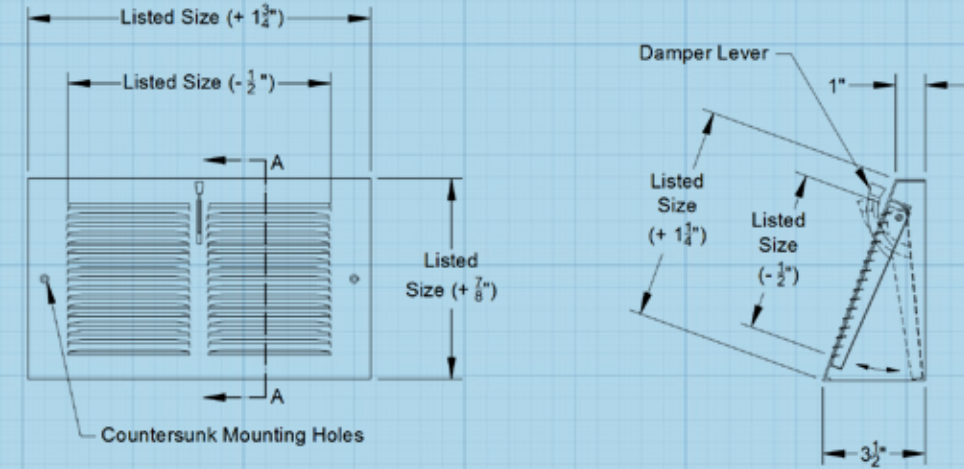


SmoothGlide Damper Linkage and Rivets 1/3" Blade Spacing

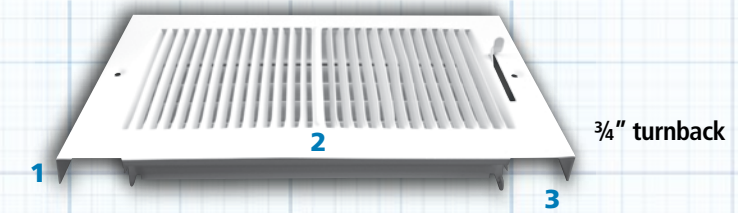
Model 124M



Model 125T

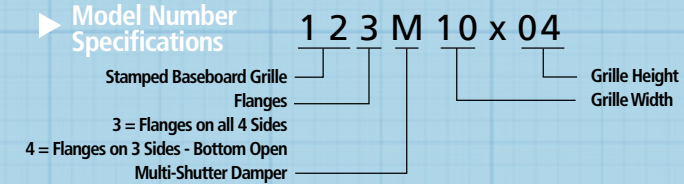


Model 124M

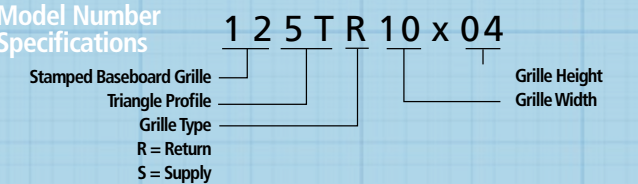


Three-sided for specific floor installations - Without a fourth turnback side on bottom

Model Number Specifications



Model Number Specifications



150M Series

The 150M floor register series represents a wide range of variety, creative design and bold innovation. Even the most basic model brings with it unparalleled standards of excellence that is the hallmark of the TRUaire brand. This wide variety of designs includes the basic register model, the deluxe register model and the over-sized mobile home model. Each is available in our high quality non-scuff textured brown or white powder-coat finish.

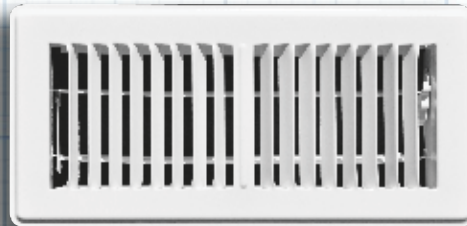
Model 150MB

Two Way - Brown Finish



Model 150MW

Two Way - White Finish



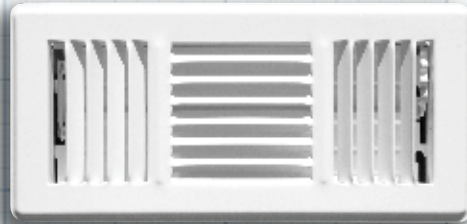
Model 153MB

Three Way - Brown Finish



Model 153MW

Three Way - White Finish



Model 155MM Mobile Home



Model 155MW Mobile Home



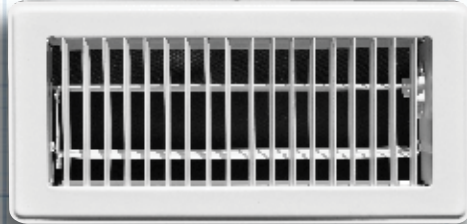
Model 157MB

Deluxe - Brown Finish



Model 157MW

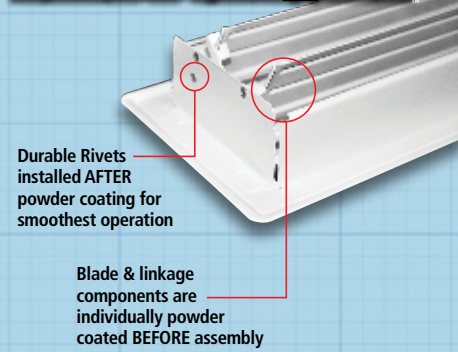
Deluxe - White Finish



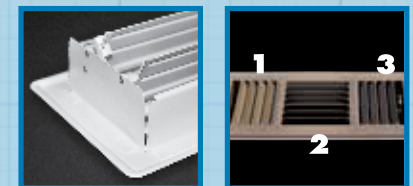
Features

- Heavy steel construction
- Countersunk screw holes on Model 155M
- One piece frame
- SmoothGlide multi-shutter damper
- Foot operated wheel control
- Available in either non-scuff textured brown or pristine white powder coat finish

TRUaire SmoothGlide

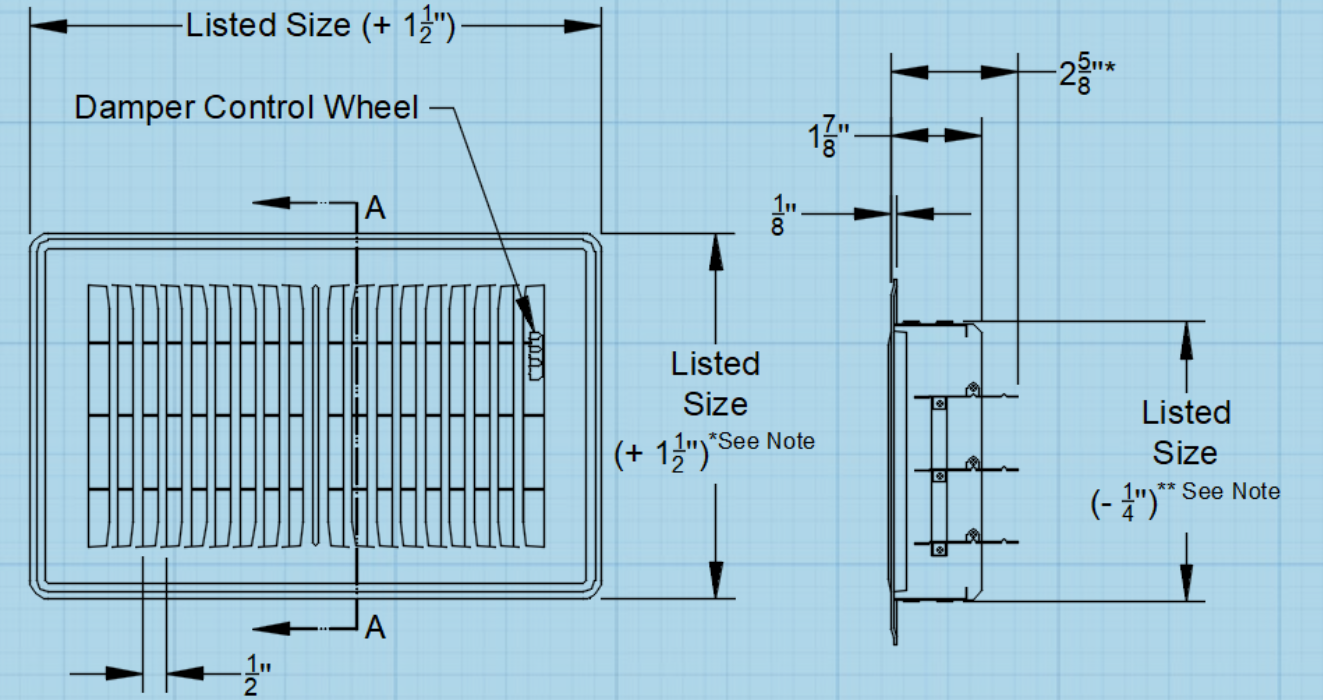


Product Detail

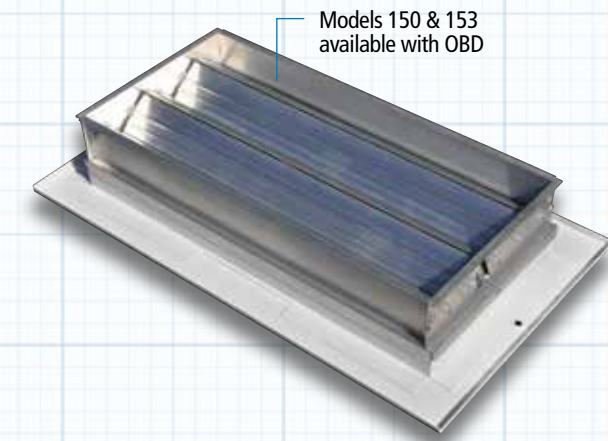


SmoothGlide Damper Linkage and Rivets Revolutionary, New Three-Way Floor Register

MODEL 150M



150 Series Options



Model Number Specifications

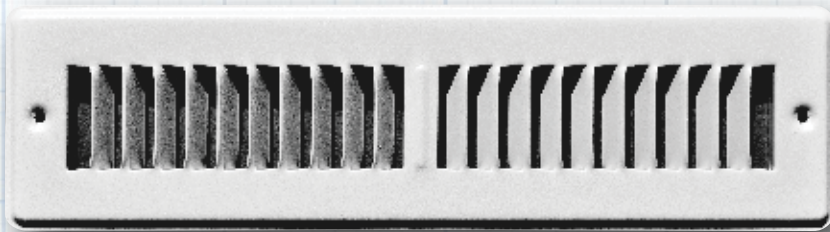
1 5 0 M W 0 4 x 1 0

- 1 = Floor Supply Air Register
- 5 = Number of Throw Directions
- 0 = Stamped 2-Way
- M = Stamped 3-Way
- W = Stamped 2-Way w/Mounting Holes
- 0 = Multi-Shutter Damper
- 4 = Grille Width
- x = Grille Height
- 10 = Finish
- B = Non-Scuff Brown
- W = Pristine White
- WT = White Textured

150TS / 173TS Series

Each model in the toe space grille lineup offers an understated yet dependable and simple vent underneath your cabinet. Available in brown or white, this is a grille only, no damper product.

Model 150TSW
Grille - White Finish



Model 150TSB
Grille - Brown Finish



Model 173TSW
Grille - White Finish



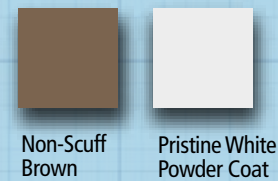
Model 173TSB
Grille - Brown Finish



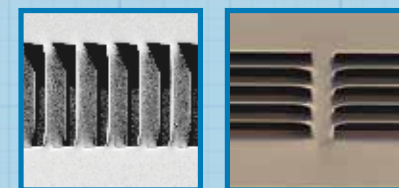
Features

- Steel construction
- Countersunk screw holes
- Available in non-scuff brown or pristine white powder coat

Finishes



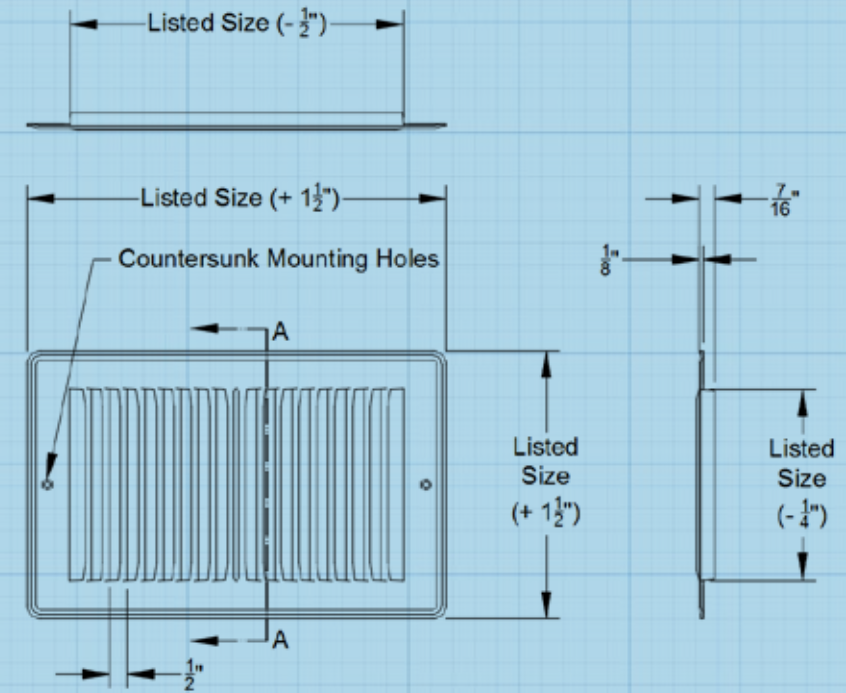
Product Detail



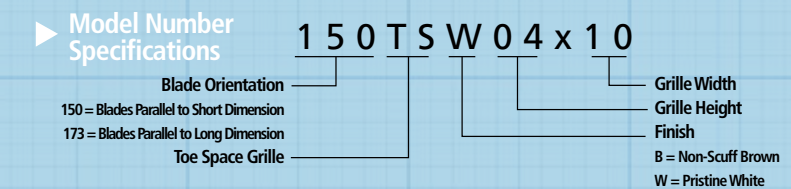
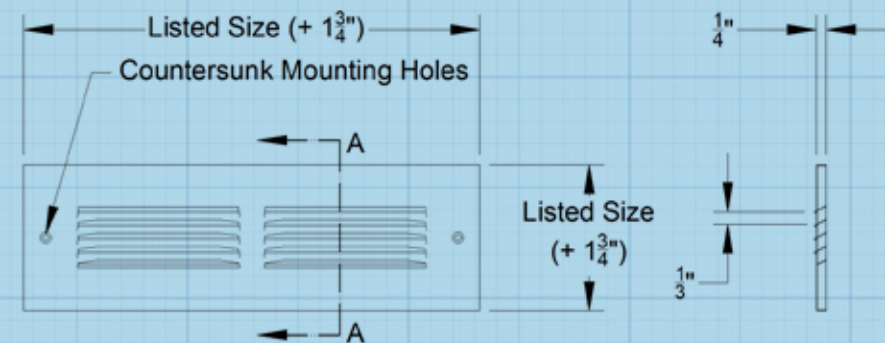
1/2" Blade Spacing on 150TS Models

1/3" Blade Spacing on 173TS Models

MODEL 150TS



MODEL 173TS

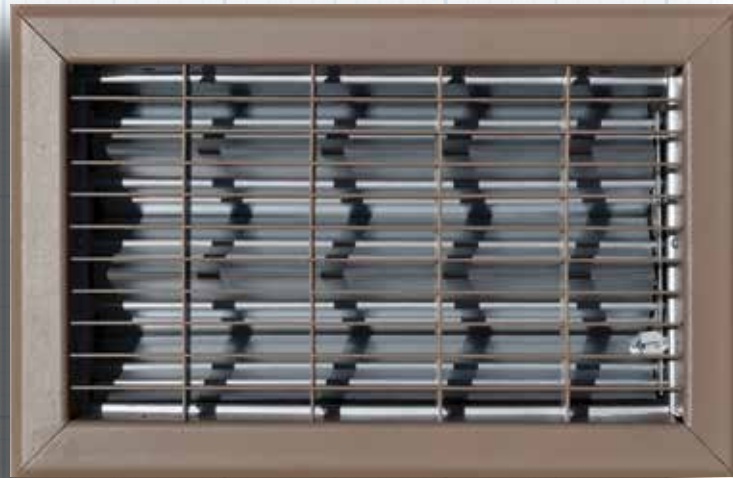


154 Series

These two different floor application products round out the TRUaire floor grille offering, in two very different ways. The 154 Series is perfect when the application calls for extra strength and rigidity in the floor grille. Generally used as a return air product, several sizes are available with an aluminum opposed blade damper.

Model 154-O

Supply register with OBD damper



Model 154R

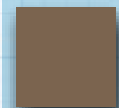
Return grille



Features

- Steel construction
- Aluminum opposed blade damper
- Non-scuff brown powder coat finish
- Average over 75% open free are

Finishes



Non-Scuff Brown

Product Detail

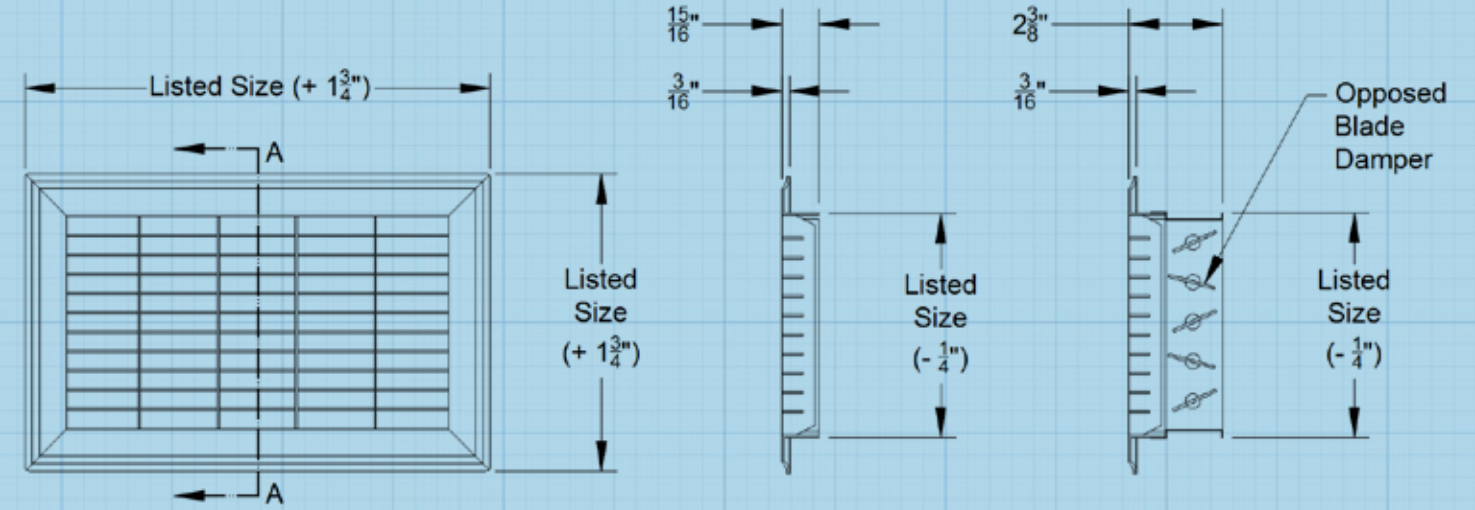


Reinforced for extra strength & durability



Detail view of durable bushings on OBD

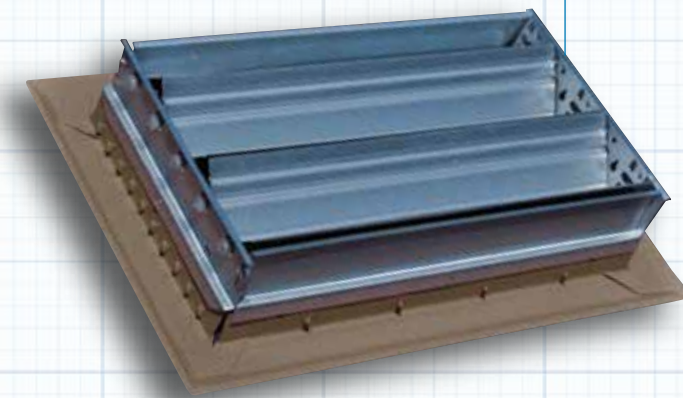
MODEL 154



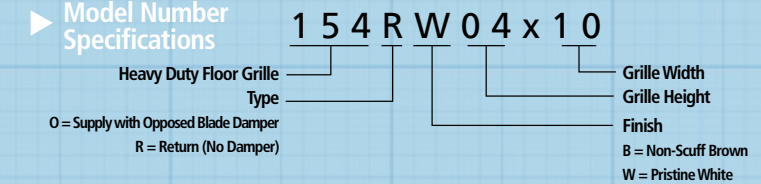
154 Series Options

Model 154-O

Heavy Duty with OBD Option (Reverse side shown)



Model Number Specifications



160 Designer Series

Inspired by fine interiors the world over, TRUaire's Designer Series collection of registers are designed to fit over any existing or new floor opening. Each register is handcrafted using quality materials and remarkable crafts-manship suited for an array of fine architectural styles while complimenting any home's interior.

Model 163

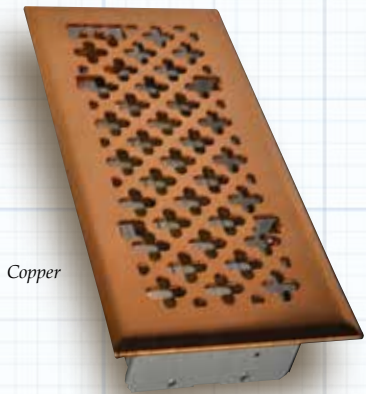
Retro Couture Design

Model 164

Ornamental Scroll Design

Model 165

Cosmopolitan Design



Copper



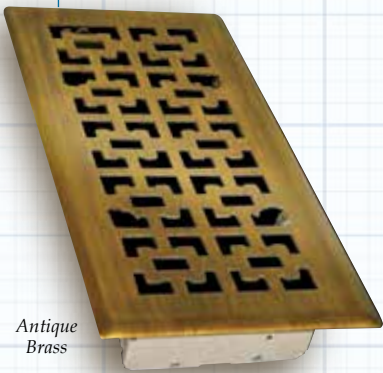
Polished Brass



Oil Rubbed Bronze

Model 166

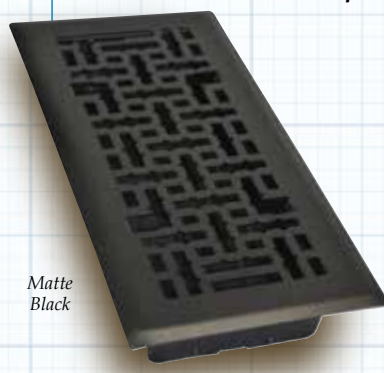
Vintage Victorian Design



Antique Brass

Model 167

Modern Contempo Design



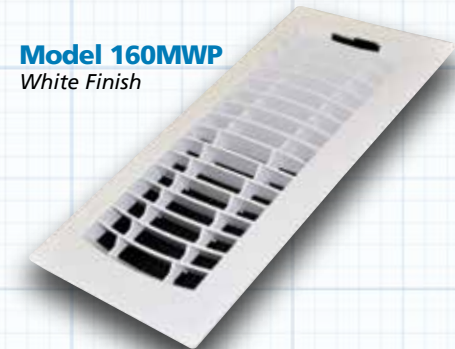
Matte Black

Model 160

Resin Composite Collection

Model 160MWP

White Finish



Model 160MBP

Brown Finish

Features

- Steel construction (excluding Model 160)
- Model 160 is made of resin composite
- SmoothGlide multi-shutter damper
- Five decorative designs
- Six designer finishes



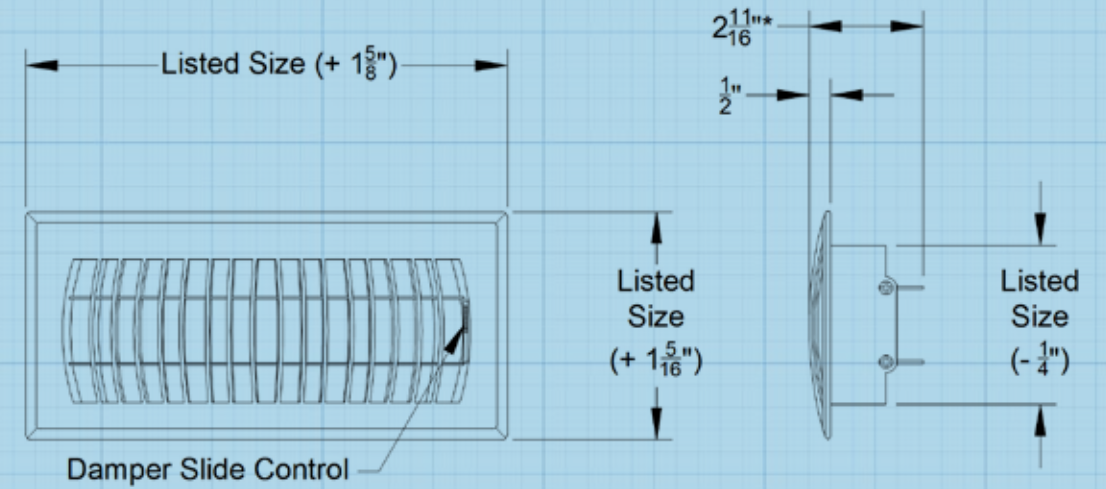
Product Detail



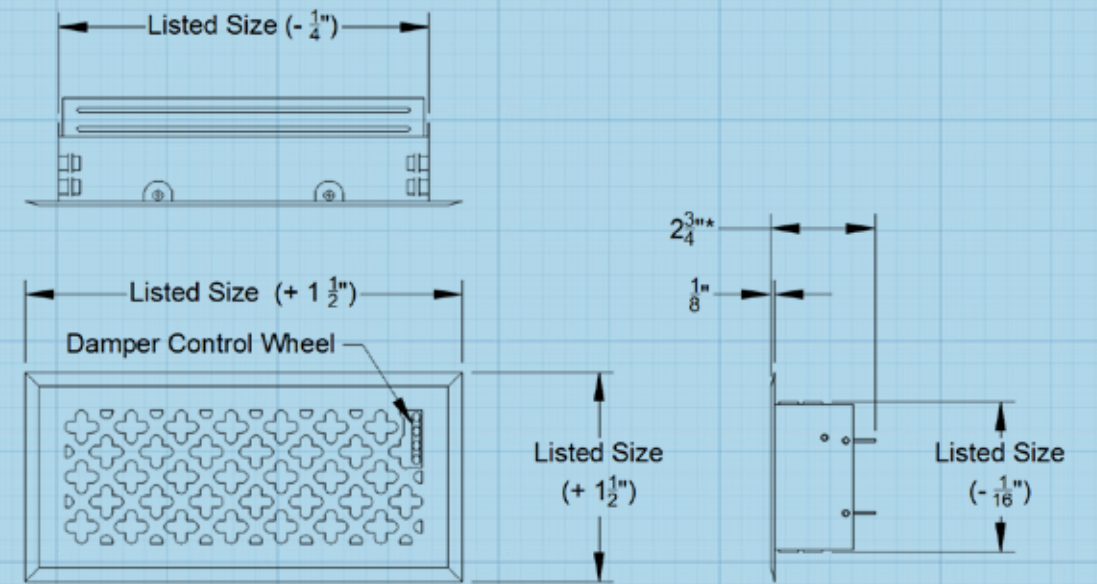
Durable, Laser-Cut Decorative

SmoothGlide Multi-Shutter Damper

MODEL 160



MODEL 163/164/165/166/167



Model 163 shown; all dimensions are typical for steel models.

Model Number Specifications

1 6 3 R A B 0 4 x 1 0

- Designer's Series
- Grille Face
- 0-M = Resin Composite
- 3-R = Retro Couture
- 4-O = Ornamental Scroll
- 5-C = Cosmopolitan
- 6-V = Vintage Victorian
- 7-M = Modern Contemporary

- Grille Width
- Grille Height
- Finish
- OB = Oil Rubbed Bronze
- AB = Antique Brass CP = Copper
- PB = Polished Brass SN = Satin Nickel
- MB = Matte Black
- BP = Brown (Model 160M Only)
- WP = White (Model 160M Only)
- LW = Light Wood Grain (Model 160 Only)
- MW = Medium Wood Grain (Model 160 Only)
- DW = Dark Wood Grain (Model 160 Only)

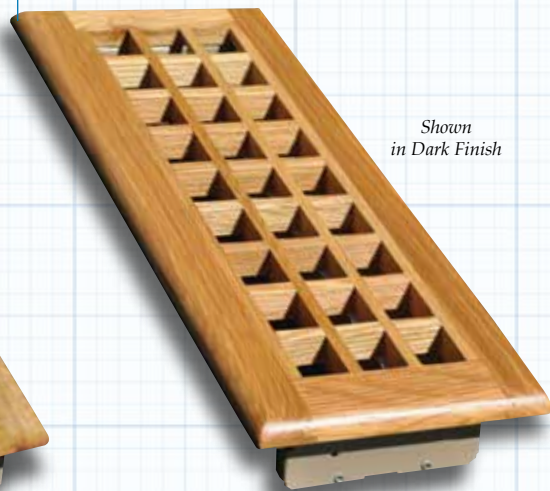
168 Solid Oak Series

Inspired by fine interiors the world over, TRUaire's Designer Series collection of registers and grilles are designed to fit over any existing or new floor opening. Each register is handcrafted using quality materials and remarkable craftsmanship suited for an array of fine architectural styles while complimenting any home's interior.

Model 168-FL
Solid Oak Floor



Model 168-SQ
Solid Oak Square Floor



Model 168-FM
Solid Oak Flush Mount



Model 168-SW
Solid Oak Sidewall



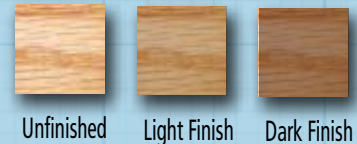
Model 168-BB
Solid Oak Baseboard



Features

- Solid red oak face
- Choose from three designer finishes
- SmoothGlide multi-shutter damper

Solid Oak Finishes Available:



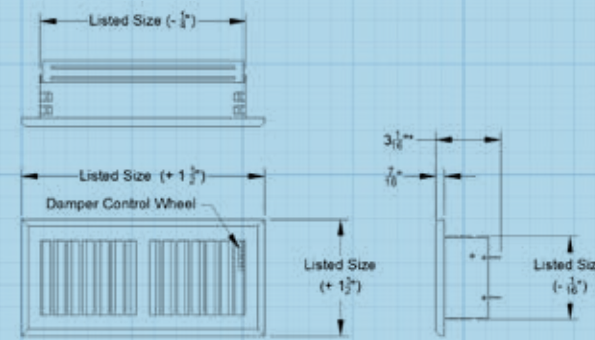
Product Detail



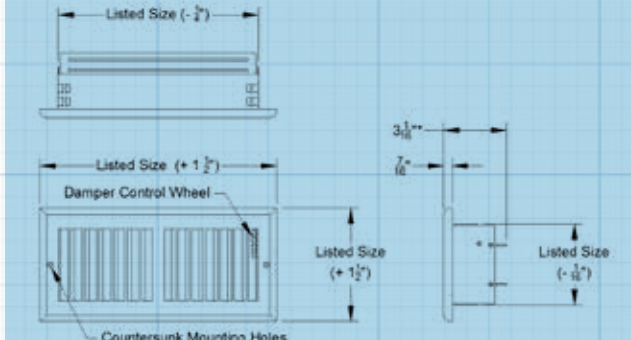
Hand Assembled Oak Components

Made from solid oak wood and hand-stained

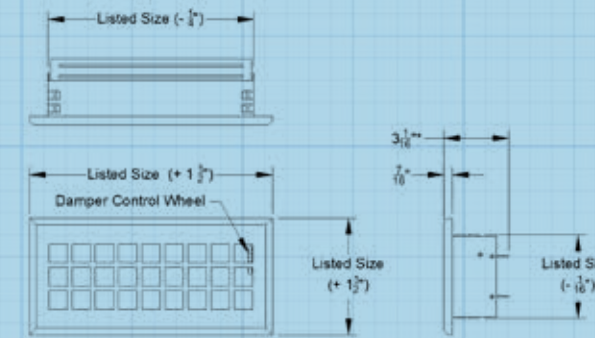
MODEL 168FL



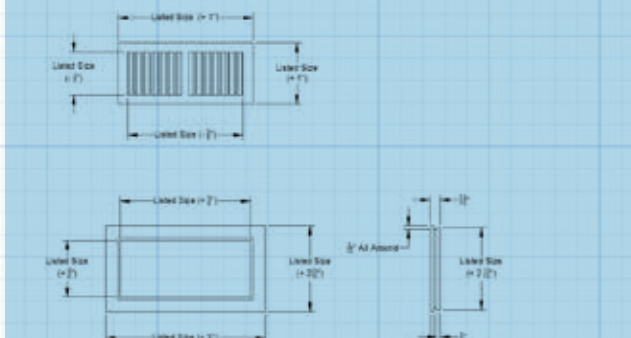
MODEL 168SW



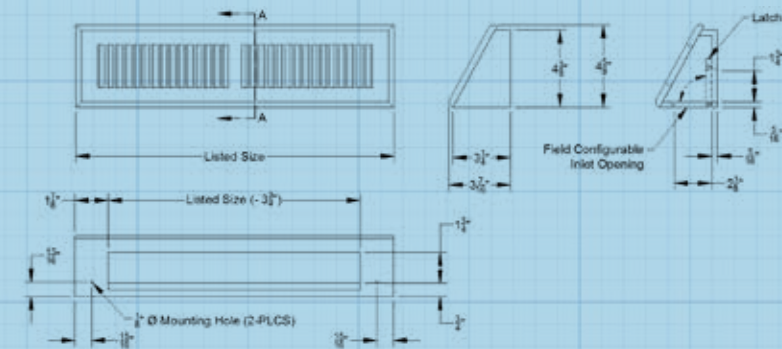
MODEL 168-FMSQ



MODEL 168FM



MODEL 168BB



Model Number Specifications

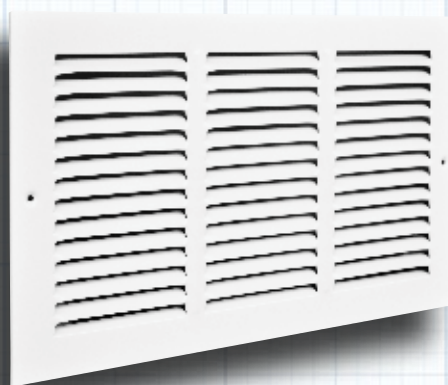
168SQD04x10

168 = Solid Oak Register or Grille
 SQ = Square Floor
 D = Flush Louver Floor
 SW = Louver Sidewall

4 = Grille Width
 10 = Grille Height
 Finish: U = Unfinished, L = Light Finish, D = Dark Finish

170 Series

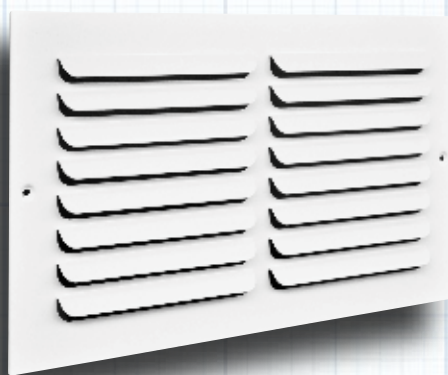
Stamped steel return grilles represent the most economical way to provide return air. These high quality stamped steel models are not only available in a wide variety of sizes, but blade design, and blade spacing as well. Although most commonly found in a pristine white powder-coat finish, the model 170 is also available in a brown finish.



Model 170
Stamped Return Grille
1/2" Blade Spacing



Model 173
Stamped Return Grille
1/3" Blade Spacing

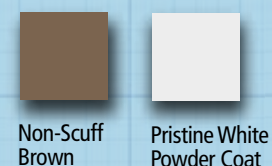


Model 174
Stamped Return Grille
Fixed Curved Blade

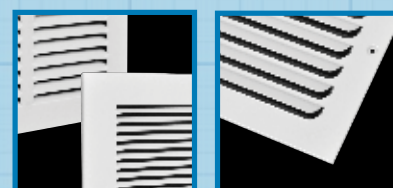
Features

- Stamped steel construction
- Stamped aluminum construction (Model 170 Only)
- Available in 1/2" and 1/3" blade spacing
- Countersunk screw holes
- Pristine white powder coat finish
- Optional non-scuff textured brown finish on 170 models

Finishes

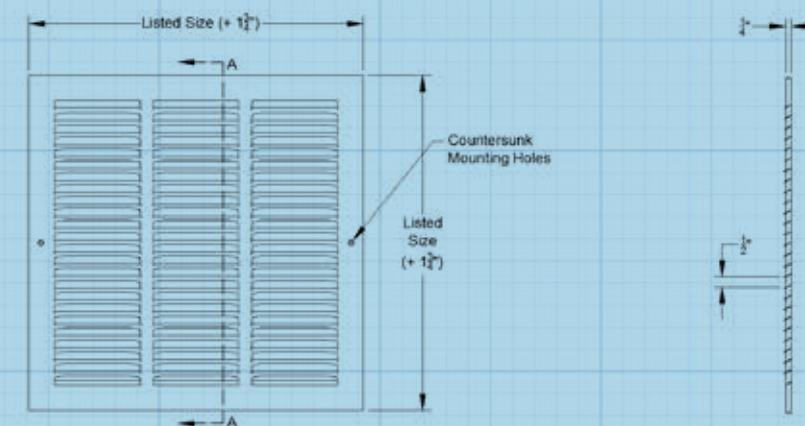


Product Detail

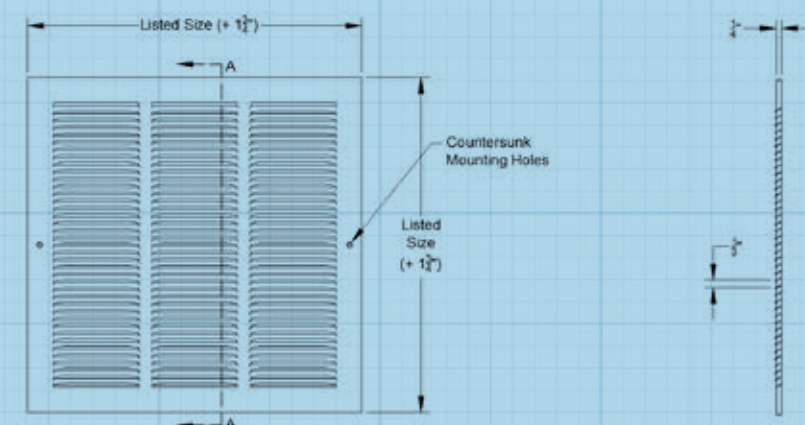


Available in either 1/2" or 1/3" Blade Spacing
Unique curved blade design on Model 174

MODEL 170



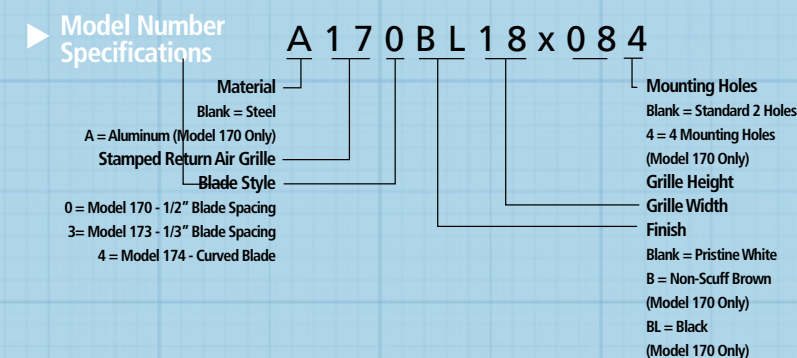
MODEL 173



170 Series Options

Whether large or small, we have the right grille for the job. Screw-hole placement varies according to typical industry standards.

NOTE: On Models 170 08x04, 10x10, 12x12, 14x10 and 14x14 we offer a 2-hole or 4-hole configuration. To specify 4-hole when ordering use: 170 14x14-4

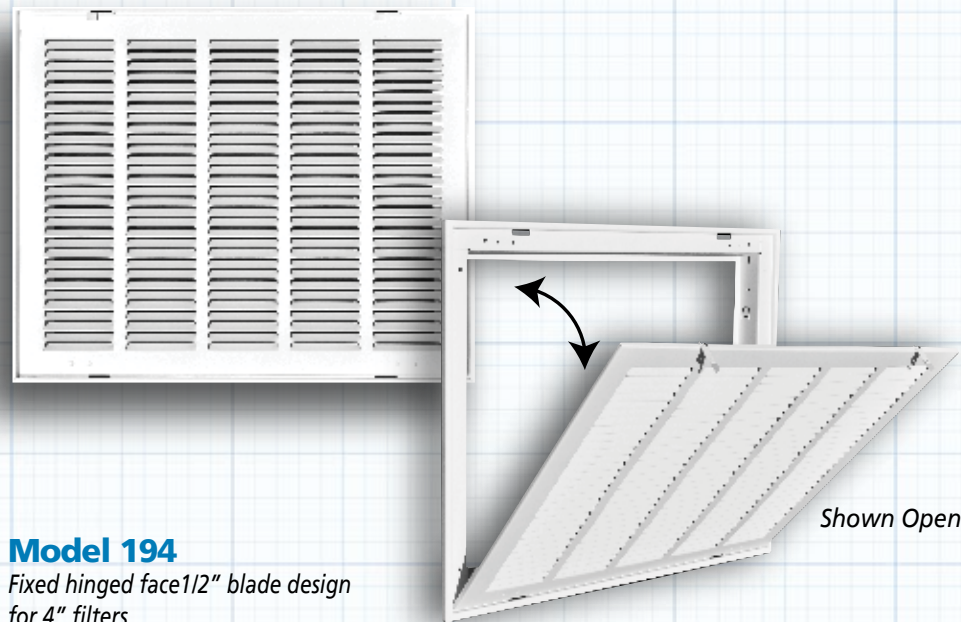


190/194 Series

Different home heating and air-conditioning designs utilize a variety of filter placement strategies. Most new homes in the "sunbelt states" choose to use a filter grille design.

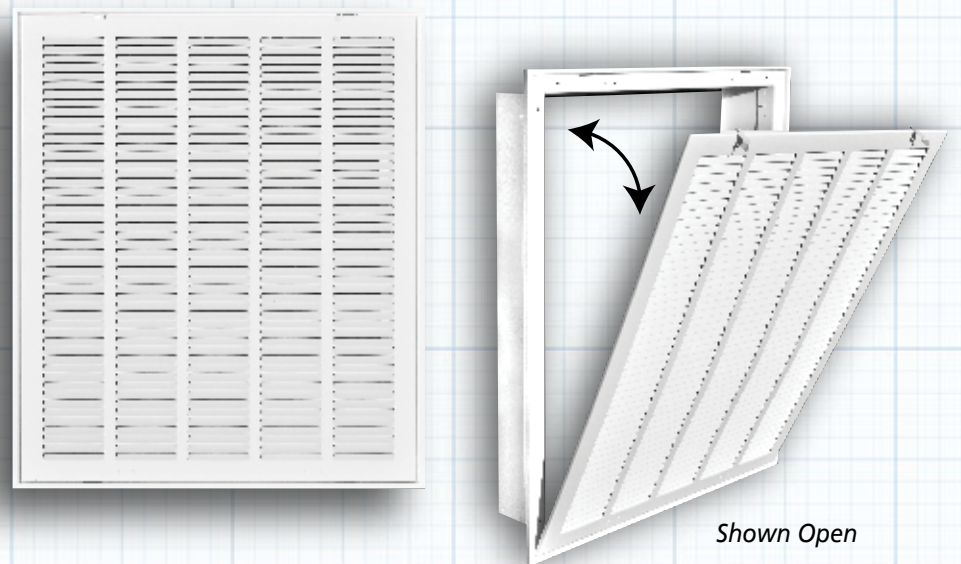
As with everything that TRUaire makes, we offer a wide variety of designs to fit virtually every residential application; different fin spacing, different filter thicknesses, and different door designs. One look at the Comparison Chart, and it becomes clear that no one offers the variety that we do.

Model 190 Fixed face 1/2" blade design



Shown Open

Model 194 Fixed hinged face 1/2" blade design for 4" filters



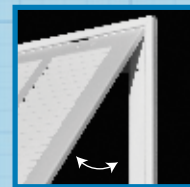
Shown Open

Features

- Steel construction
- 1/2" blade spacing
- Fixed hinge face
- 190 Series accepts 1" filters
- 194 Series accepts 4" deep filters
- SmoothGlide finger latches
- Pristine white powder coat finish

NOTE: Filters are not included with return air filter grilles.

Product Detail

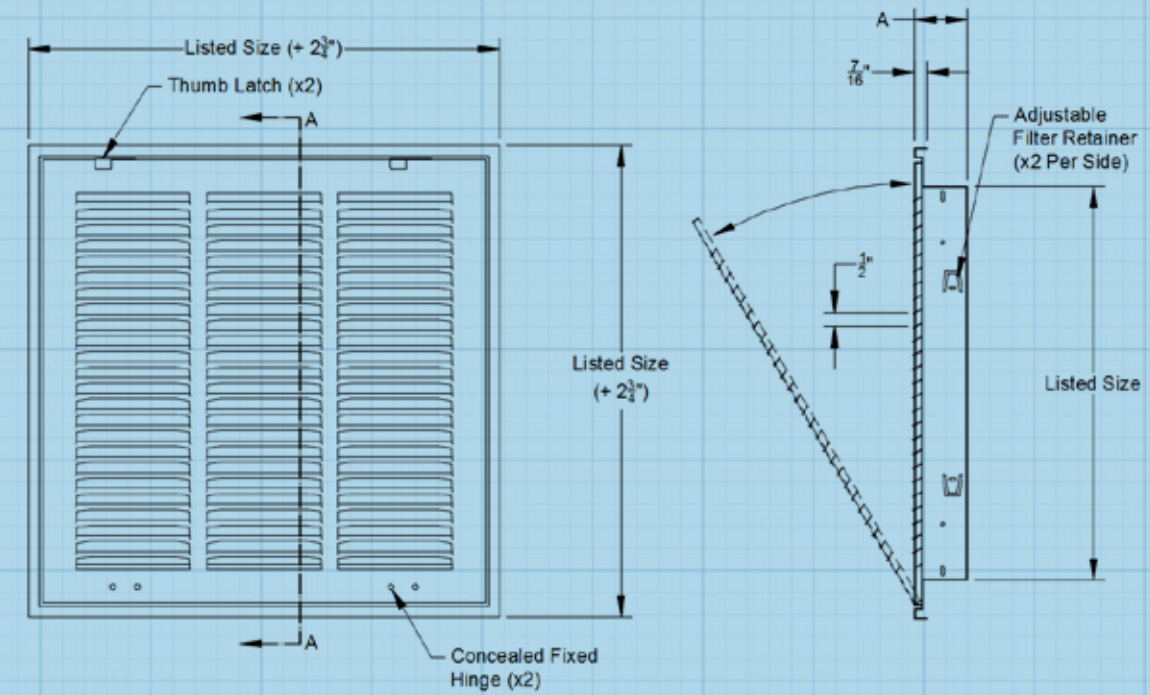


Fixed face design suggested for sidewall applications



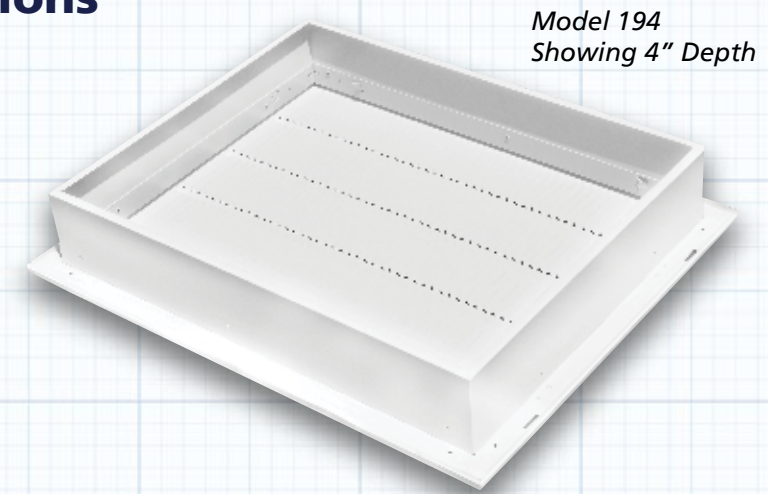
SmoothGlide latch for increased durability and ease of use

MODEL 190



Filter Depth	Dimension A
1"	1 7/8"
4"	4 3/4"

190 Series Options



Model 194 Showing 4" Depth

Model Number Specifications

19018x08

Stamped Return Air Grille
Blade Style & Filter Depth
0 = 1/2" Blade Spacing • 1" Deep
4 = 1/2" Blade Spacing • 4" Deep

Grille Height
Grille Width
Face Options
Blank = Fixed Hinge Face
RF = Hinged Removable Face

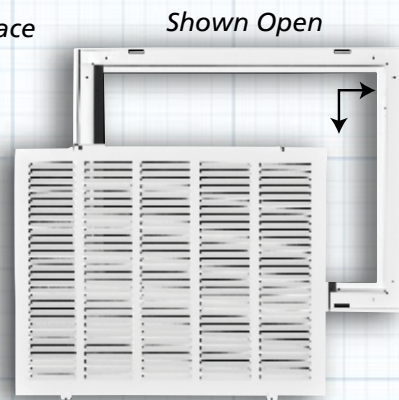
190RF/192RF/193RF Series

Different home heating and air-conditioning designs utilize a variety of filter placement strategies. Most new homes in the "sunbelt states" choose to use a filter grille design.

As with everything that TRUaire makes, we offer a wide variety of designs to fit virtually every residential application; different fin spacing, different filter thicknesses, and different door designs. One look at the Comparison Chart, and it becomes clear that no one offers the variety that we do.

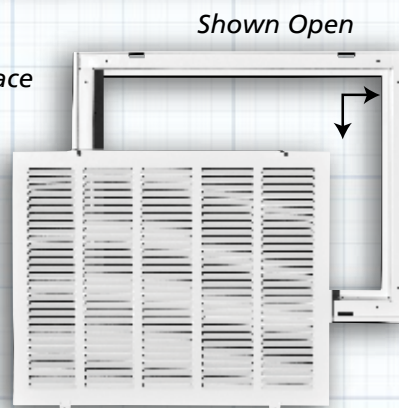
Model 190RF

Sidewall Filter Grille • Removable face
1/2" blade design



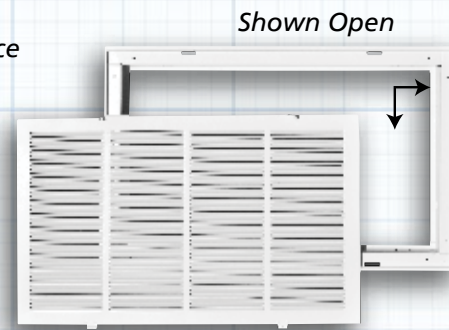
Model 192RF

Sidewall Filter Grille • Removable face
1/2" blade design for 2" filters



Model 193RF

Sidewall Filter Grille • Removable face
1/3" blade design for 1" filters

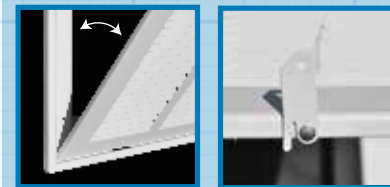


Features

- Steel construction
- Available in 1/2" and 1/3" blade spacing
- Removable face
- 190 and 193 Series accepts 1" filters
- 192 Series accepts 2" deep filters
- SmoothGlide finger latches
- Pristine white powder coat finish

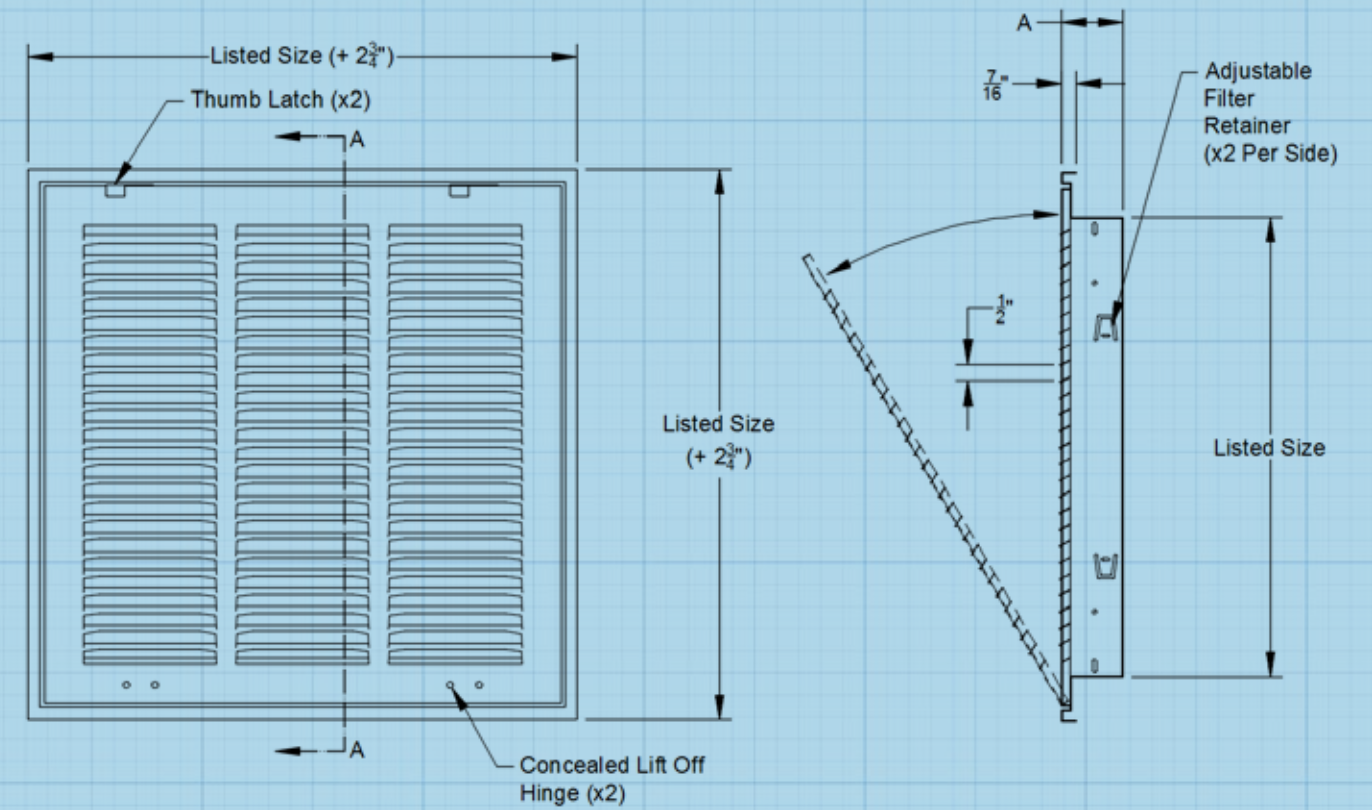
NOTE: Filters are not included with return air filter grilles.

Product Detail



Removable face design suggested for sidewall applications
SmoothGlide latch for increased durability and ease of use

MODEL 190RF



NOTE: Model 190RF shown. All dimensions are typical for 190RF, 192RF and 193RF.

Filter Depth	Dimension A
1"	1 7/8"
2"	2 7/8"

Model Number Specifications

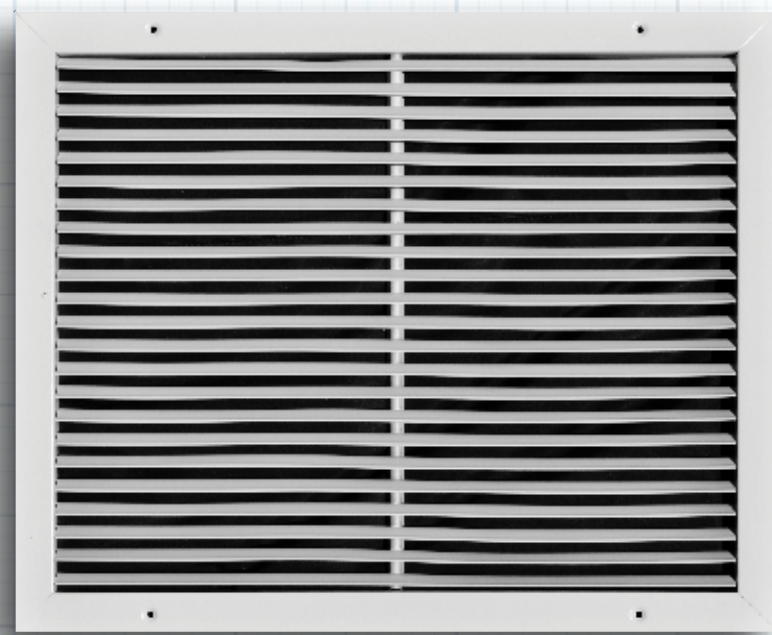
190RF18x08
 Stamped Return Air Grille
 Blade Style & Filter Depth
 0 = 190 Series 1/2" Blade Spacing • 1" Deep
 2 = 192 Series 1/2" Blade Spacing • 2" Deep
 3 = 193 Series 1/3" Blade Spacing • 1" Deep
 Grille Height
 Grille Width
 Removable Face

270 Series

When choosing return air grilles, whether filter grille or straight return air, the most economical choice is stamped steel every time. But for a few dollars more, the Fixed Bar models provide the luxury of ruggedness and appearance.

Each heavy gauge bar is individually set at 75 degrees from the face, and spaced 3/4" apart. There's nothing "flimsy" about this grille. It is rock-solid, individually welded, and looks fantastic!

Model 270 Fixed Bar Return Air Grille



Features

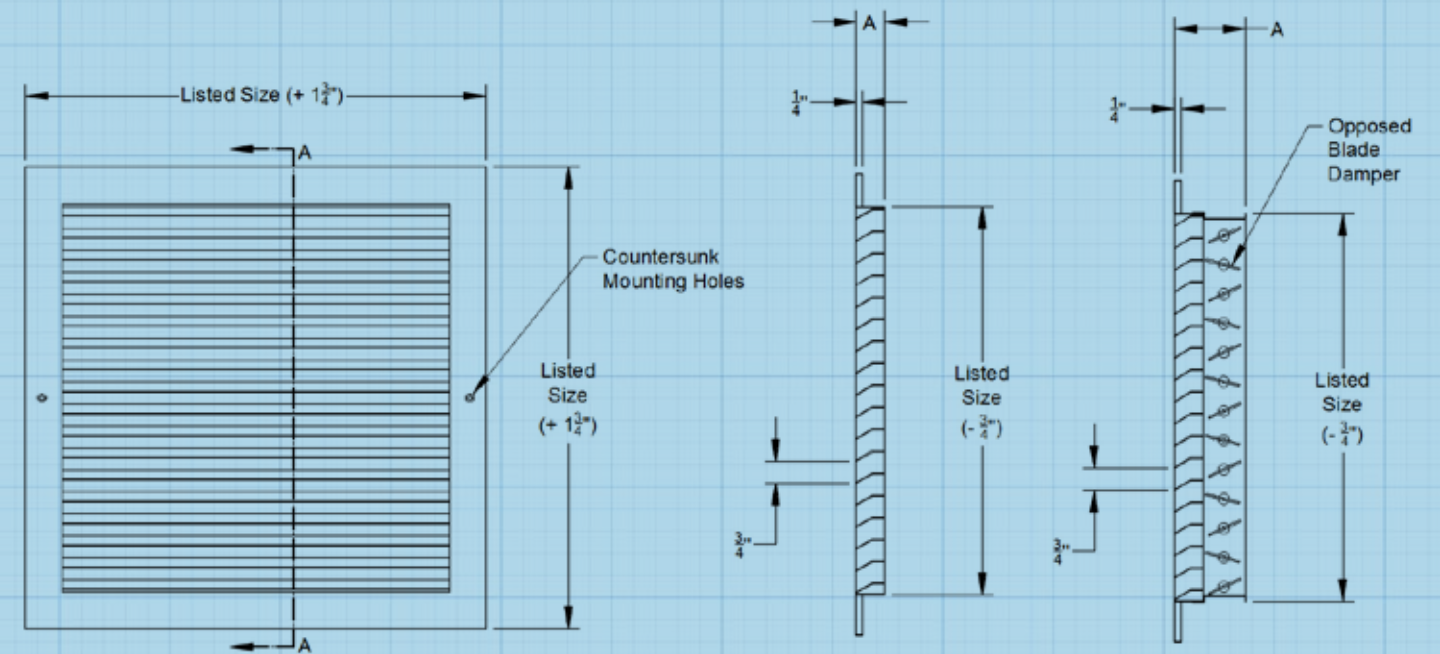
- Steel construction
- 3/4" blade spacing
- 75° blade pitch from grille face
- Countersunk screw holes on 270 Series filter grilles
- Fixed hinge face on all return air filter grilles
- Pristine white powder coat finish
- Optional Opposed Blade Damper

Product Detail



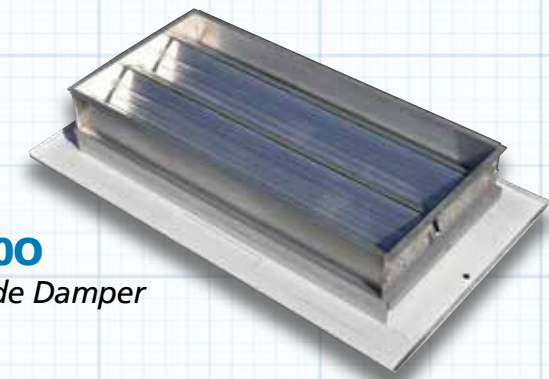
Blades at 75 degrees from face

MODEL 270



Model	Dimensions A	
	Grille Only	W/ OBD
270	13/16"	2 1/4"
A270	1"	2 7/16"

270 Series options



Model 2700 Opposed Blade Damper

Model Number Specifications

2 7 0 0 1 8 x 0 8

Fixed Bar Return Air Grille — 2
Damper Option — 7
Blank = No Damper — 0
Opposed Blade Damper — 0

Grille Height — 18
Grille Width — 08

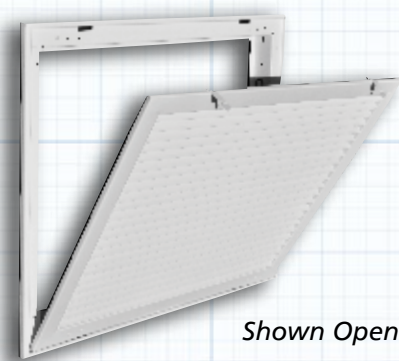
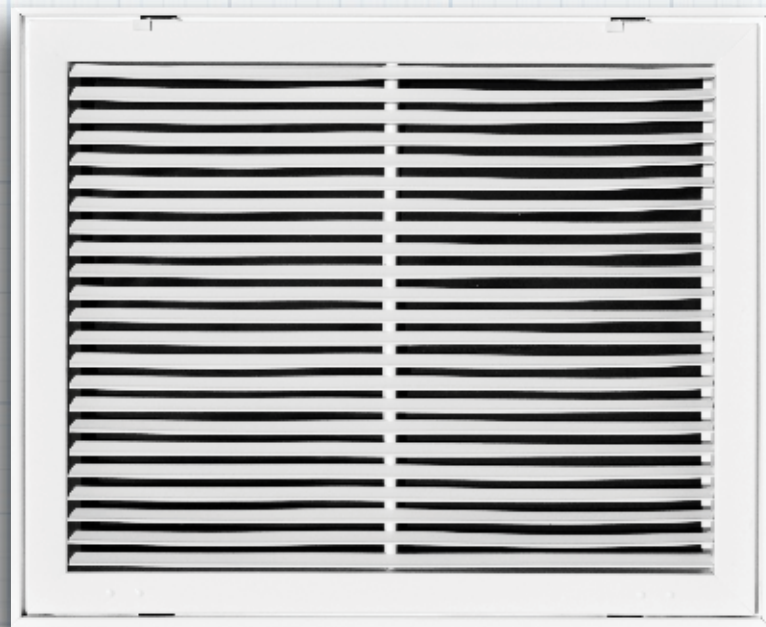
290/292/294 Series

When choosing return air grilles, whether filter grille or straight return air, the most economical choice is stamped steel every time. But for a few dollars more, the Fixed Bar models provide the luxury of ruggedness and appearance.

Each heavy gauge bar is individually set at 75 degrees from the face, and spaced 3/4" apart. There's nothing "flimsy" about this grille. It is rock-solid, individually welded, and looks fantastic!

Model 290

Fixed Bar Return Air Filter Grille



Shown Open

Features

- Steel construction
- 3/4" blade spacing
- 75° blade pitch from grille face
- 290 Series accepts 1" deep filters
- 292 Series accepts 2" deep filters
- 294 Series accepts 4" deep filters
- Fixed hinge face
- Pristine white powder coat finish

NOTE: Filters are not included with return air filter grilles.

Product Detail

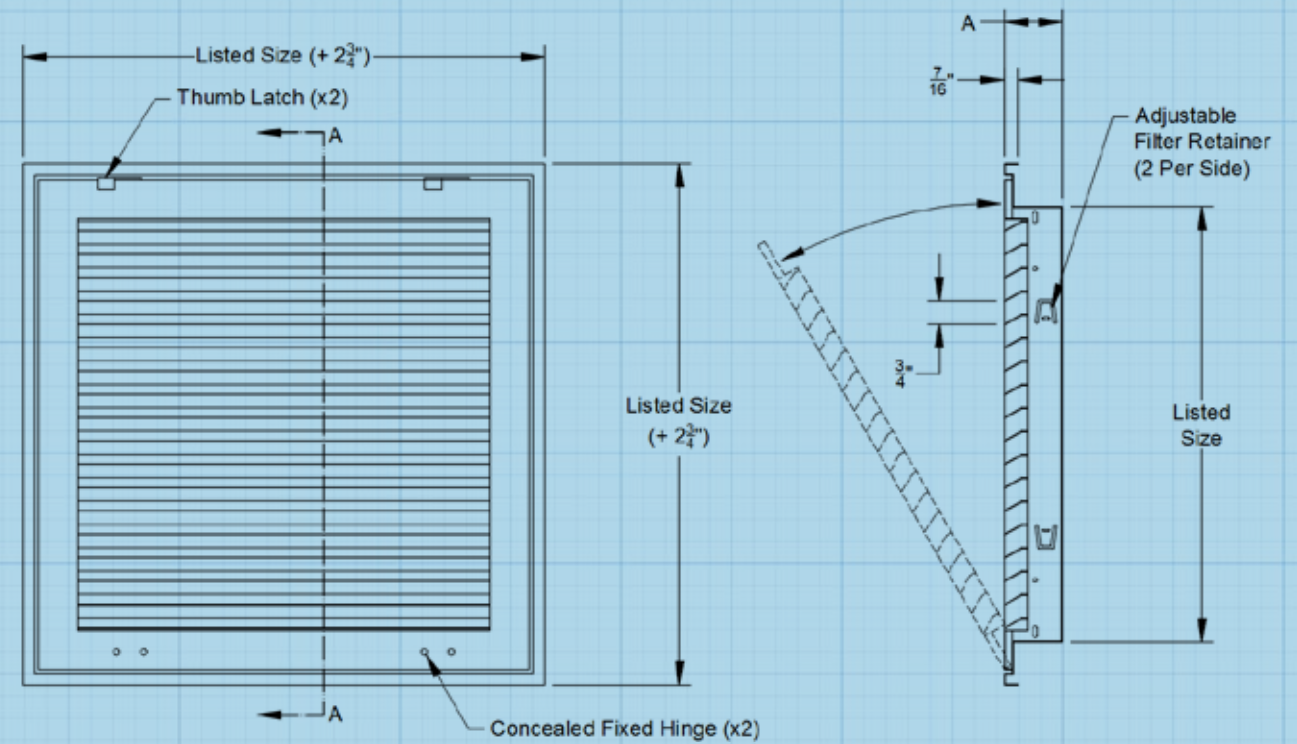


Blades at 75 degrees from face



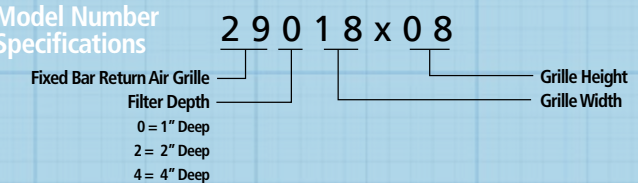
SmoothGlide Latch for increased durability and ease of use

MODEL 290



Filter Depth	Dim "A"
1"	1 7/8"
2"	2 1/16"
4"	4 3/4"

Model Number Specifications



A170 Series

Stamped aluminum return grilles represent the most economical way to provide return air. These high quality stamped aluminum models are not only available in a wide variety of sizes, but blade design, and blade spacing as well. Although most commonly found in a pristine white powder-coat finish, the model A170 is also available in a brown finish.

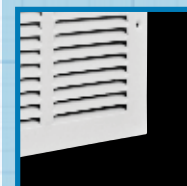
Model A170
Stamped Return Grille
1/2" Blade Spacing



Features

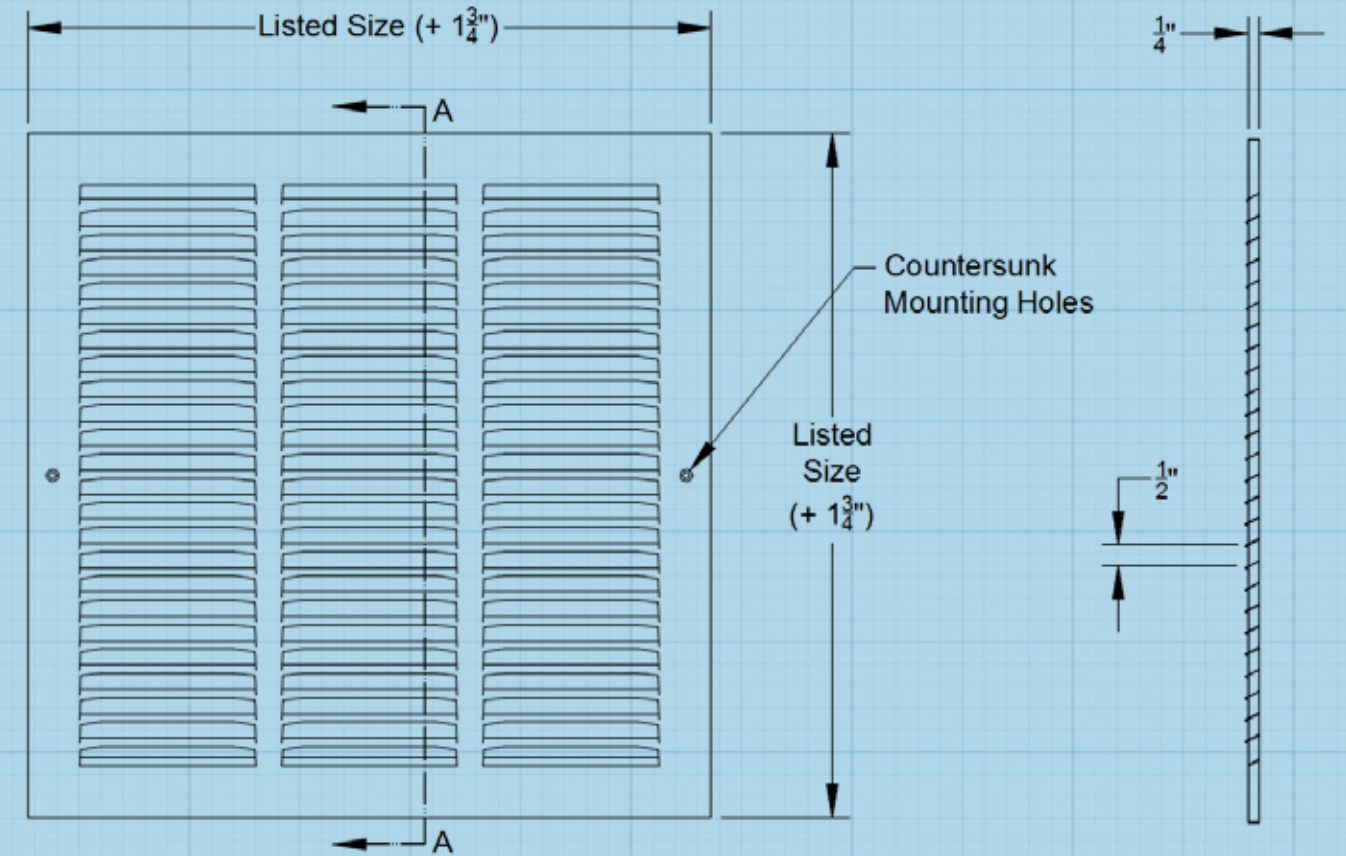
- Stamped aluminum construction
- Available in 1/2" blade spacing
- Countersunk screw holes
- Pristine white powder coat finish
- Optional non-scuff textured brown finish on A170 models

Product Detail

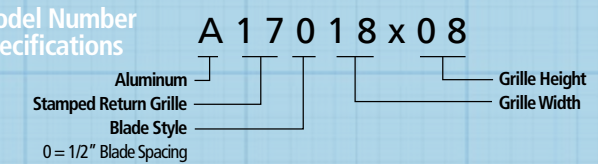


Available in 1/2" Blade Spacing

MODEL A170



Model Number Specifications

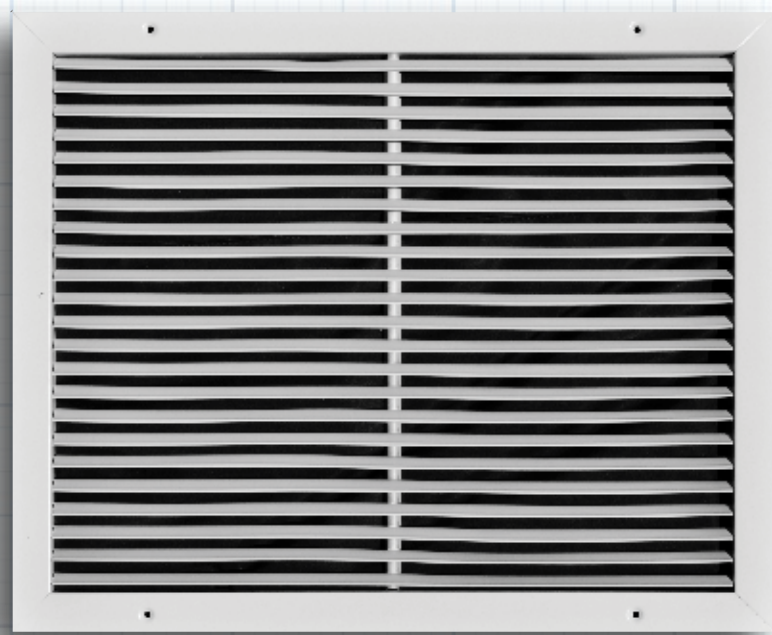


A270 Series

The top-of-the-line Return Air Grille is bar-type. And the best bar-type Return Air Grille is made of aluminum. Lightweight, rust resistant, and durable; Truair's A270 Return Air Grille is the best of the best for residential return air applications.

Each aluminum fixed blade is set at 60 degrees from face and 3/4" apart. Finished in our pristine white powder-coat, this is a tough act to follow!

Model A270
Fixed Bar Return Air Grille



Features

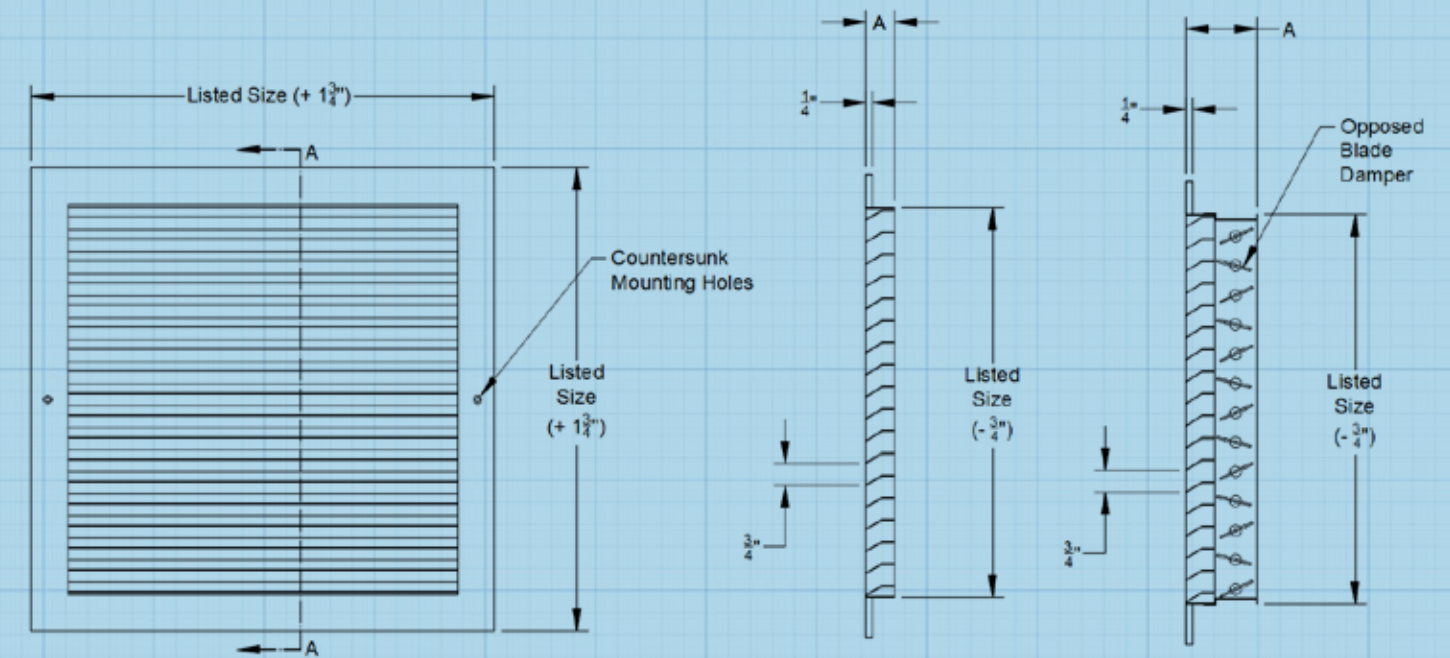
- Extruded aluminum construction
- 3/4" blade spacing
- 60° blade pitch from grille face
- Countersunk screw holes
- Pristine white powder coat finish
- Optional 45° blade pitch
- Optional opposed blade damper

Product Detail



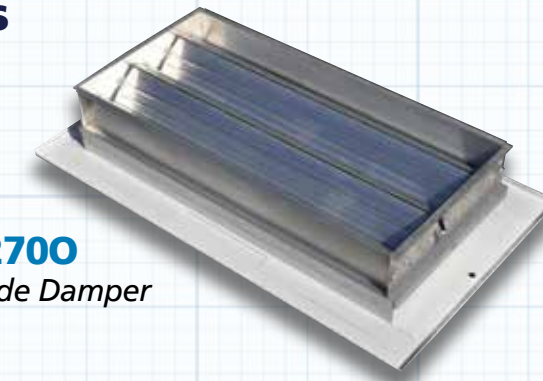
Blades at 60 degrees from face

MODEL A270

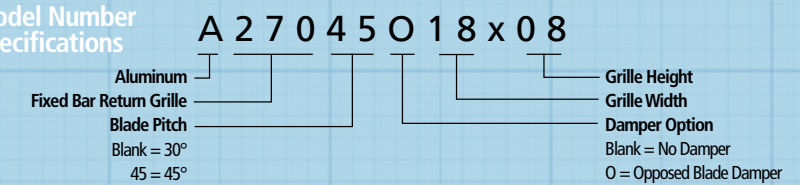


A270 Series options

Model A2700
Opposed Blade Damper



Model Number Specifications



A290 Series

The top-of-the-line Return Air Grille is bar-type. And the best bar-type Return Air Grille is made of aluminum. Lightweight, rust resistant, and durable; Truair's A290 Return Air Filter Grille is the best of the best for residential return air applications.

Each aluminum fixed blade is set at 60 degrees from face and 3/4" apart. Finished in our pristine white powder-coat, this is a tough act to follow!

Model A290

Aluminum Fixed Bar Return Air Filter Grille



Easy-to-open slide latch

Features

- Extruded aluminum construction
- 3/4" blade spacing
- 60° blade pitch from grille face
- Accepts 1" deep filters
- Fixed hinge or removable face
- Pristine white powder coat finish
- Optional 45° blade pitch

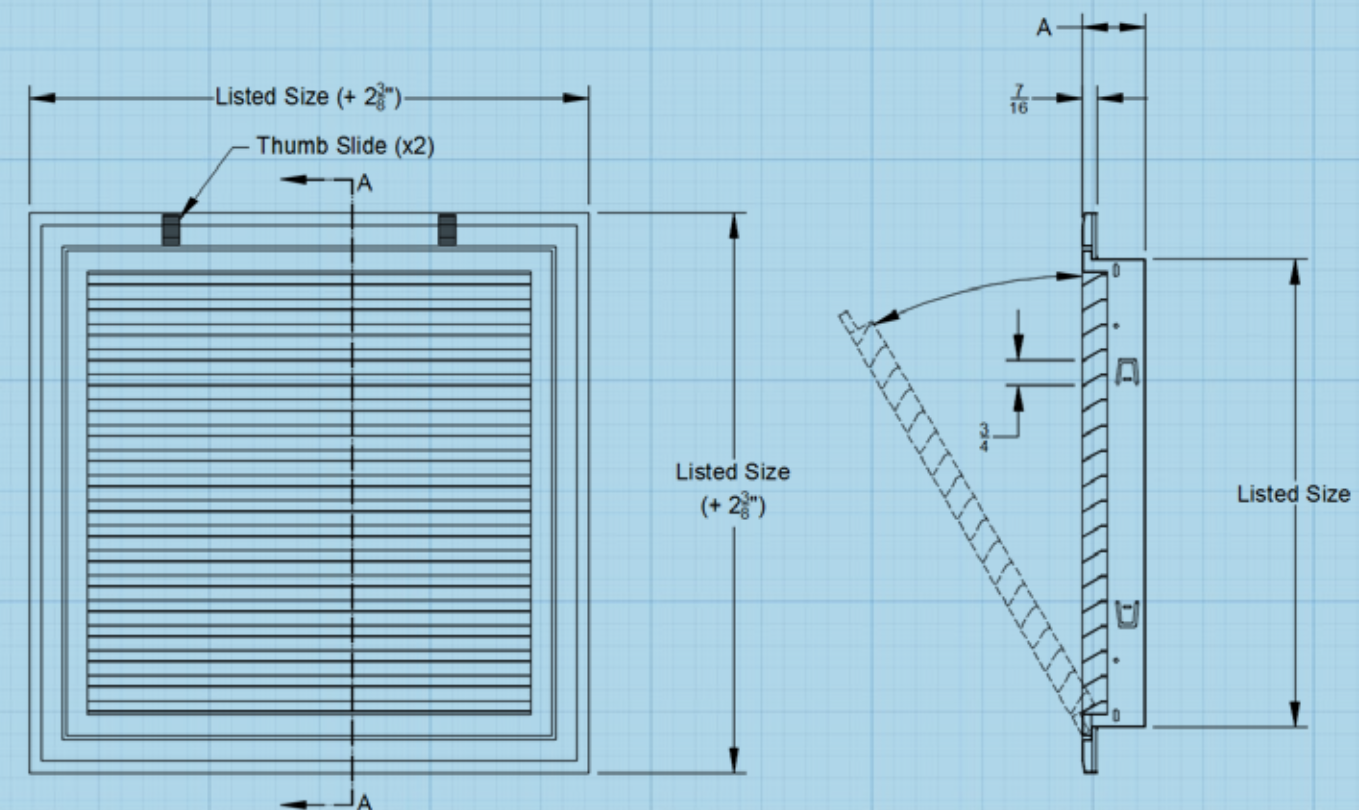
NOTE: Filters are not included with return air filter grilles.

Product Detail



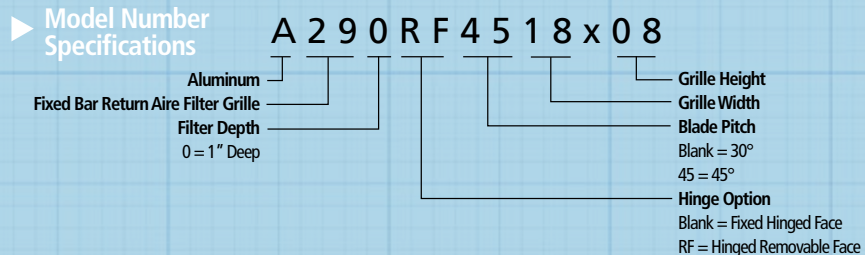
Blades at 60 degrees from face Detail view of slide latch

MODEL A290



Filter Depth	Dim "A"
1"	1 7/8"
2"	2 1/16"

Model Number Specifications

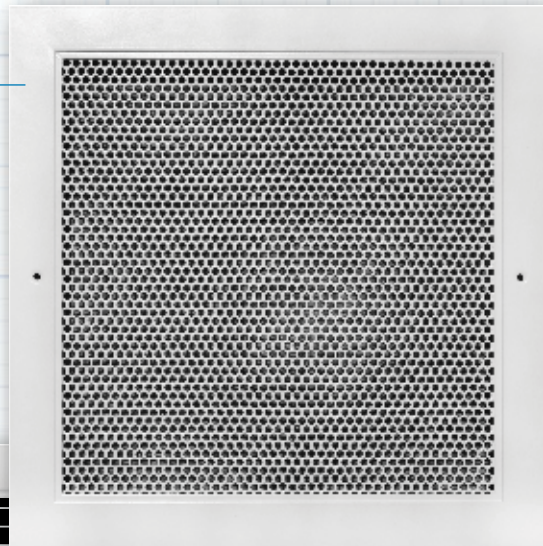


A900 Series

Truairé's A900 Series surface mounted grilles feature a clean, crisp architectural appearance and are manufactured to provide strength and durability. The A900 Series comes in either a 1/2" x 1/2" x 1/2" egg crate face or a 51% free area perforated face with aluminum extruded frame that has countersunk mounting holes. The egg crate can be specified in acrylic or aluminum which are constructed with thin, interlocking strips assembled into a square grid pattern.

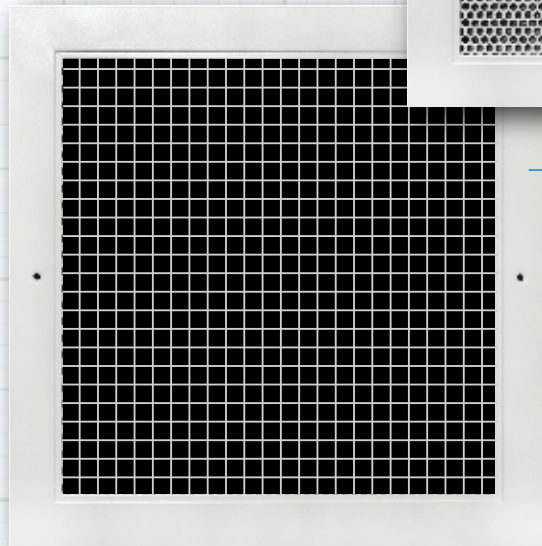
Model A920

Perforated Face Surface Mount Grille



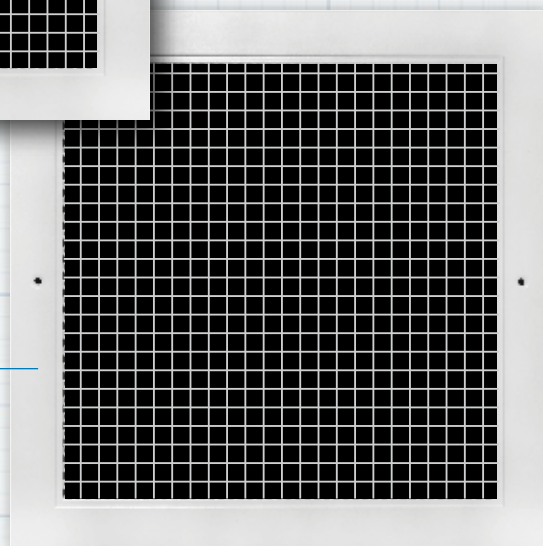
Model A960

Acrylic Egg Crate Surface Mount Grille



Model A970

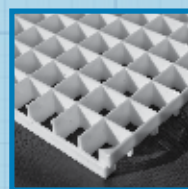
Aluminum Egg Crate Surface Mount Grille



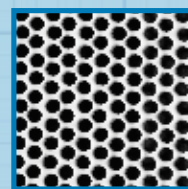
Features

- Extruded aluminum frame construction
- Available in either perforated or egg crate face
- 51% free area perforated
- Acrylic or aluminum 1/2" x 1/2" x 1/2" egg crate
- Countersunk screw holes
- Pristine white powder coat finish

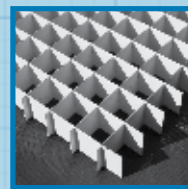
Product Detail



Acrylic Egg Crate

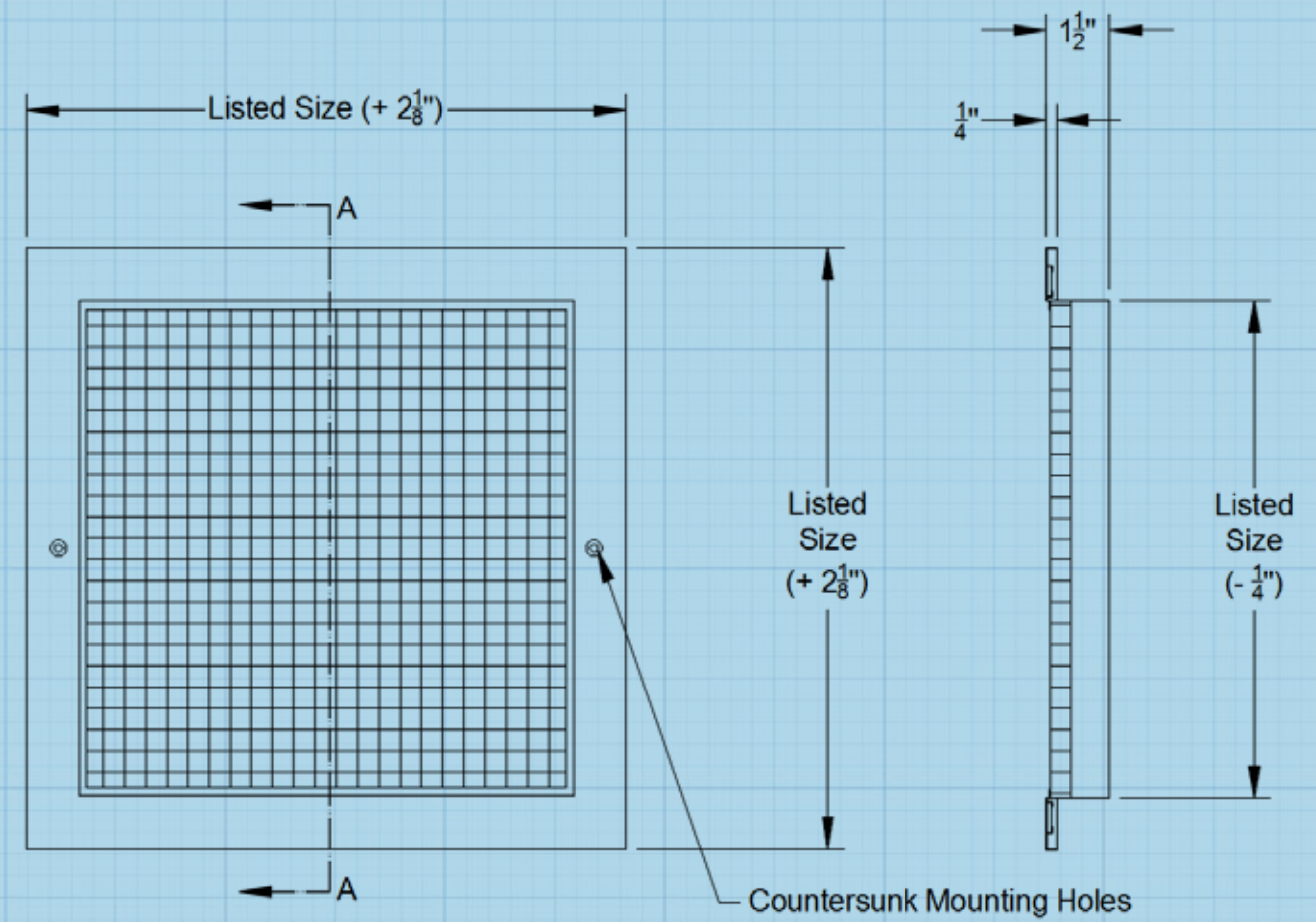


Steel Perforated Face
51% Open Area



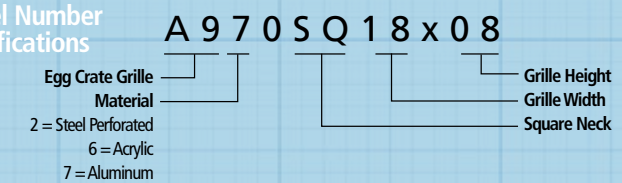
Aluminum Egg Crate

MODEL A920



Egg crate face shown; all dimensions are typical for the A920

Model Number Specifications



1010 / 1020MAS Series

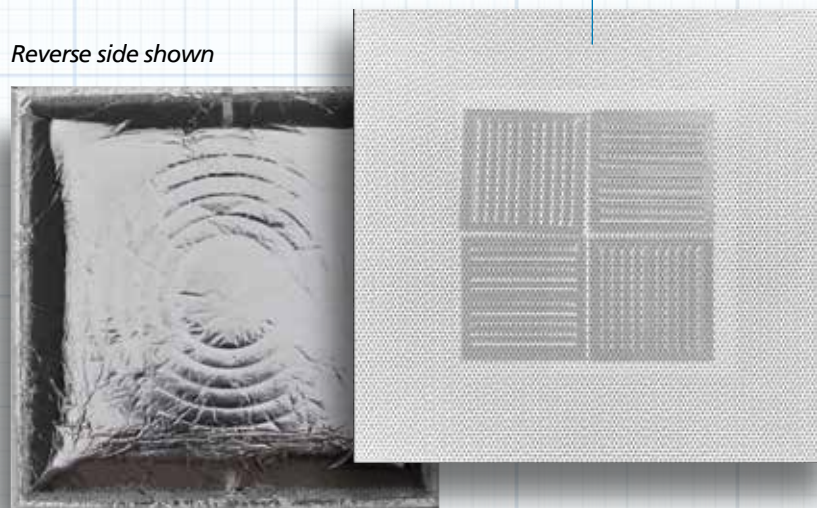
The 1000 Series T-Bar models are designed with budget in mind. These diffusers come with an attractive perforated steel face finished in pristine white powder-coat. The supply model (MAS) includes an air deflector for enhanced air distribution.

These diffusers can be ordered with the universal R6 molded fiberglass back, with a heavy duty steel back and fixed collar or a combination of both the formed steel back, collar, and R6 insulation.

Model 1010MAS / MAR

With universal R6 fiberglass back

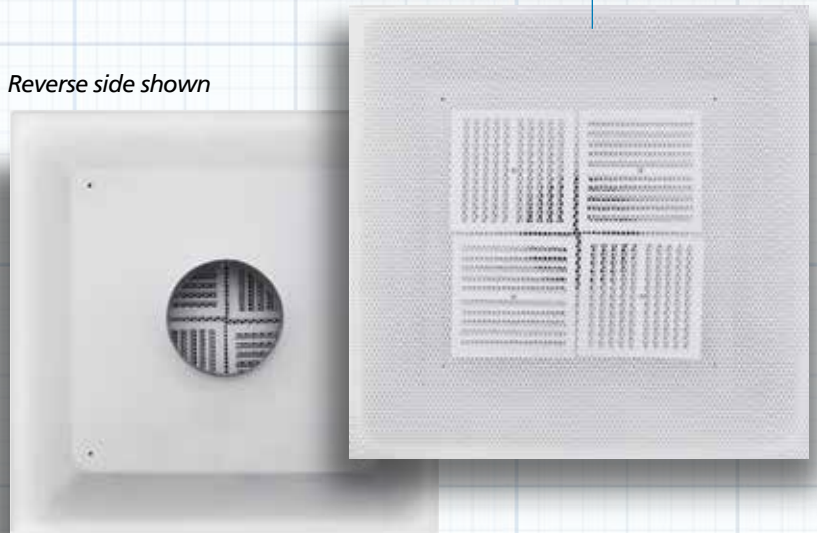
Reverse side shown



Model 1020MAS / MAR

With steel back and fixed collar

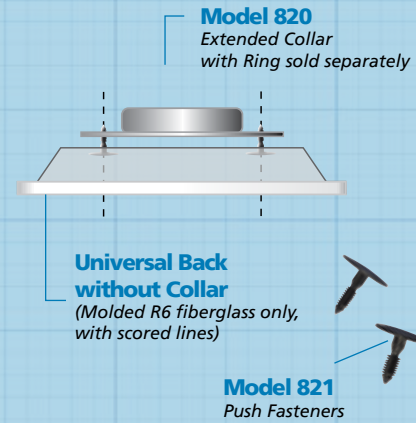
Reverse side shown



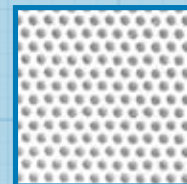
Features

- Steel construction
- 51% open free area perforated face
- Seismic support tabs
- (4) Air deflectors on MAS Models
- Molded R6 insulated back on 1010 Models
- Universal cut-in collars on 1010 Models
- TRUaire Super Collar on 1020 Models
- Pristine white powder coat finish
- Optional molded R6 insulated back available on 1020 Models
- Optional butterfly damper
- Optional radial damper

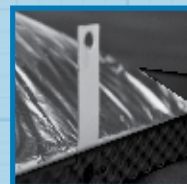
1010 MAS/MAR Collar Mounting



Product Detail

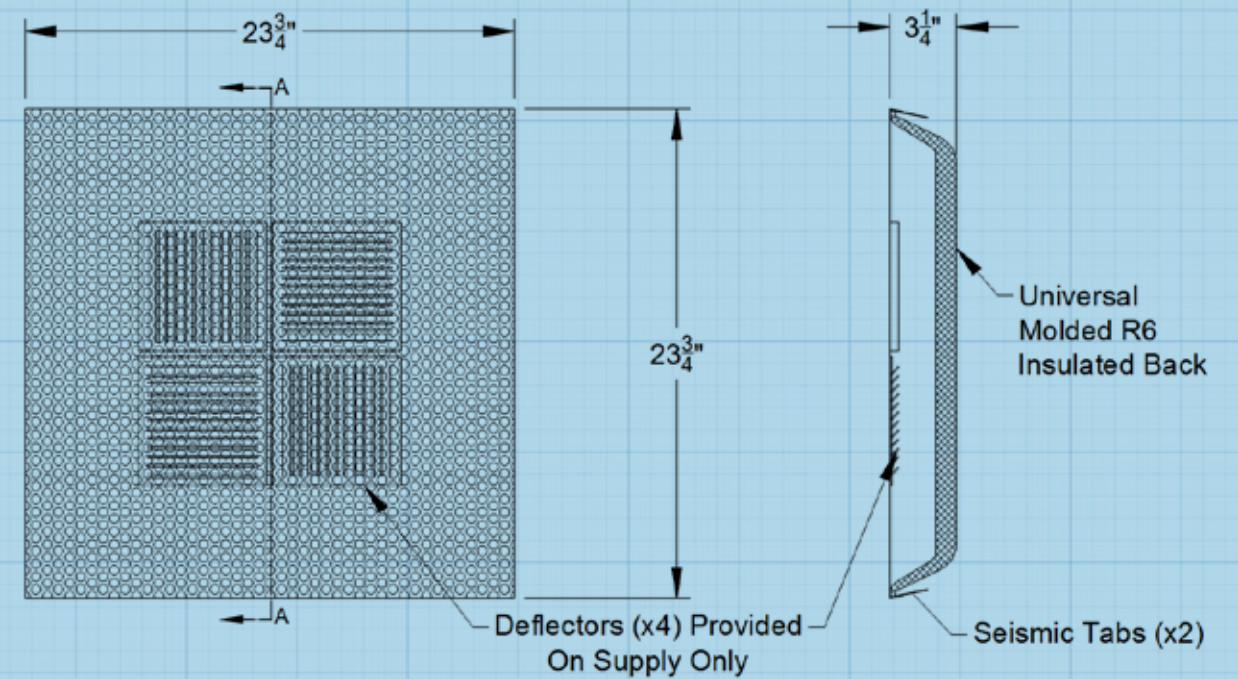


Steel Perforated Face
51% Open Area



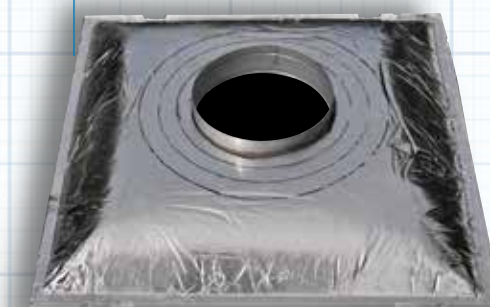
Seismic Support Tabs

MODEL 1010

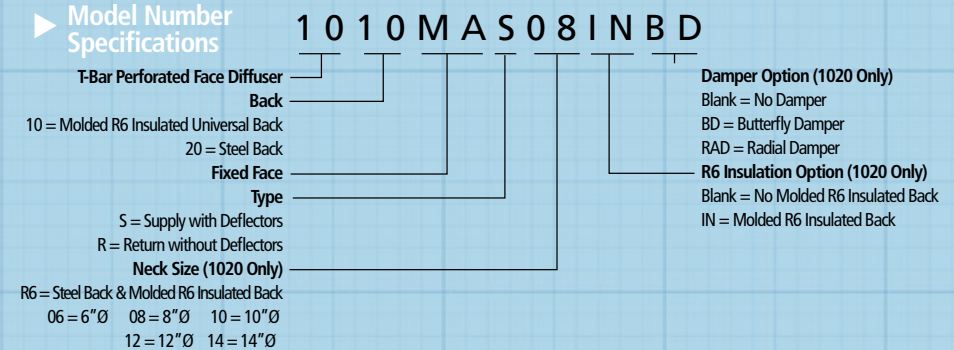


1020 Series Options

R6 Insulated Back Shown with Collar
(Insulated with scored lines and fixed collar)



Model Number Specifications



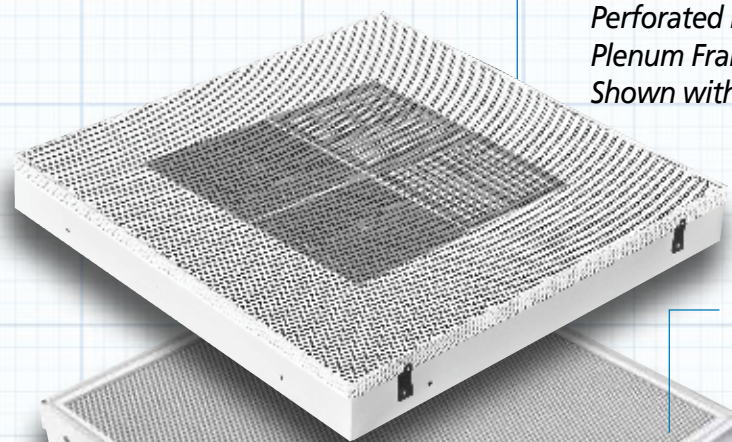
1120S Series

Drawing from our close relationship with contractors who know the industry, these T-Bar Grilles cut installation time by utilizing a unique plenum frame design. The three face designs available are perforated steel, acrylic eggcrate and aluminum eggcrate. These easy to use and ready to go T-Bar Grilles come with or without the 1 1/2" ductboard.

The 1120 perforated model is available as either a Supply Diffuser employing the stamped deflector or return. Each model is also available in full-size T-Bar configurations including half T-Bar and double T-Bar dimensions.

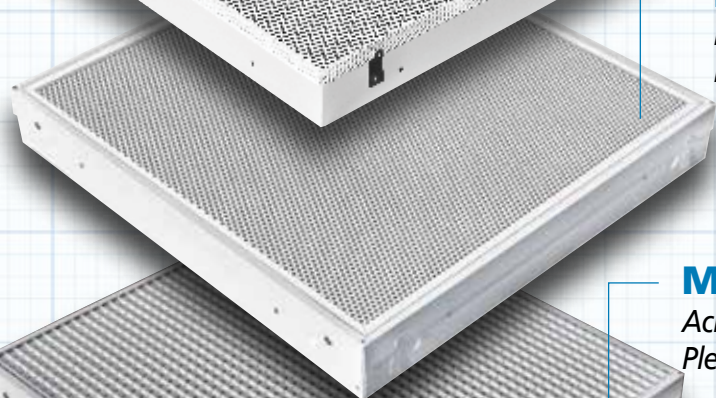
Model 1120S/1120R

Perforated Face
Plenum Frame Design
Shown with Supply Deflectors



Model 1124R

Perforated Face
Plenum Frame Design



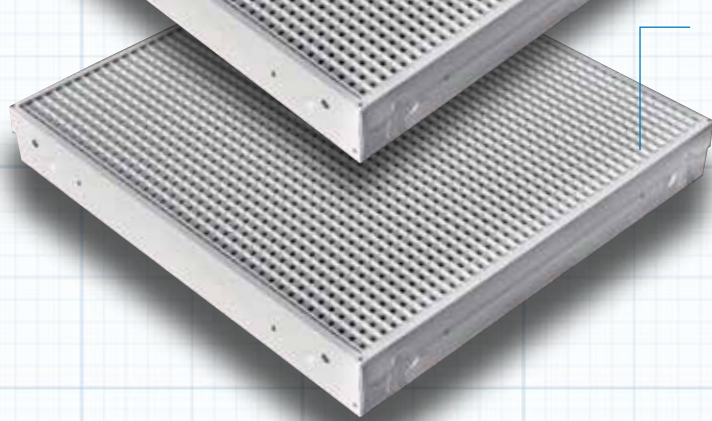
Model 1130

Acrylic Egg-Crate Face
Plenum Frame Design



Model 1140

Aluminum Egg-Crate Face
Plenum Frame Design



Features

- Steel construction
- Perforated or egg crate face
- Perforated face with 51% open free area
- Acrylic or aluminum egg crate
- Plenum frame design
- Available in 3 sizes
- Pristine white powder coat finish
- Optional ductboard back
- Fixed Face

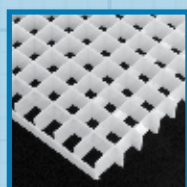
Product Detail



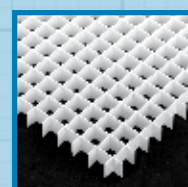
Plenum box on reverse side



Seismic support tabs



Acrylic Egg Crate

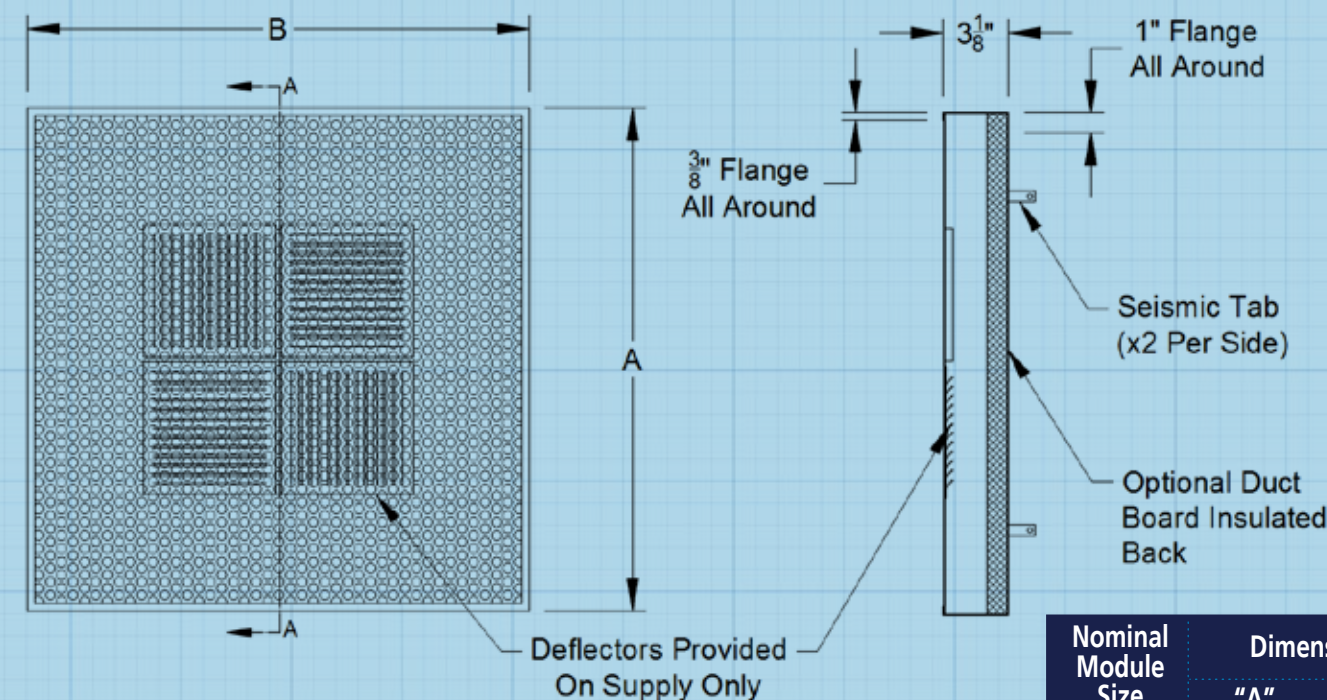


Aluminum Egg Crate



Mitered corner and perforated face

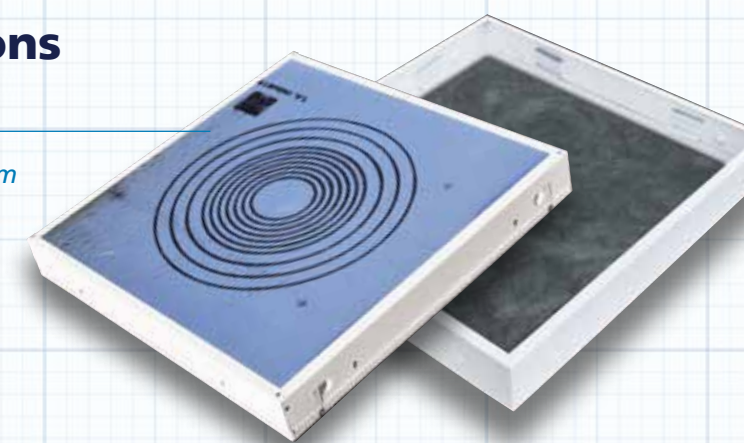
MODEL 1120



Nominal Module Size	Dimensions A	
	"A"	"B"
12" x 24"	11-3/4"	23-3/4"
24" x 24"	23-3/4"	23-3/4"
24" x 48"	23-3/4"	47-3/4"

1120S Series Options

Ductboard Back With Plenum



Model Number Specifications

1120DBS2
 T-Bar Plenum Frame Grille Face
 20 = Perforated
 24 = Perforated with Rectangular Neck
 30 = Egg Crate / Acrylic
 40 = Egg Crate / Aluminum Backing
 Blank = No Insulated Duct Board
 DB = Insulated Duct Board (Excluding Model 1124R)

1120DBS2

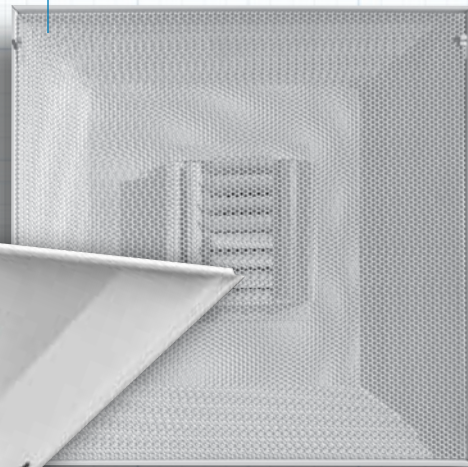
Nominal Size
 Blank = 24" x 24"
 1 = 24" x 12"
 4 = 24" x 48"
 Type
 S = Supply with Deflectors (1120 Only)
 R = Return without Deflectors

1400 Series

The 1400 Series is a set of hinged perforated face T-Bar products. Choose from models providing the luxury of high-quality adjustable blades, smooth and even 360° airflow, or the economy of adjustable deflectors. The 1444RG is the perfect match for either Supply Diffuser. Every 1400 Series Diffuser comes standard with the TRUaire Super-Collar and is also available with optional insulation.

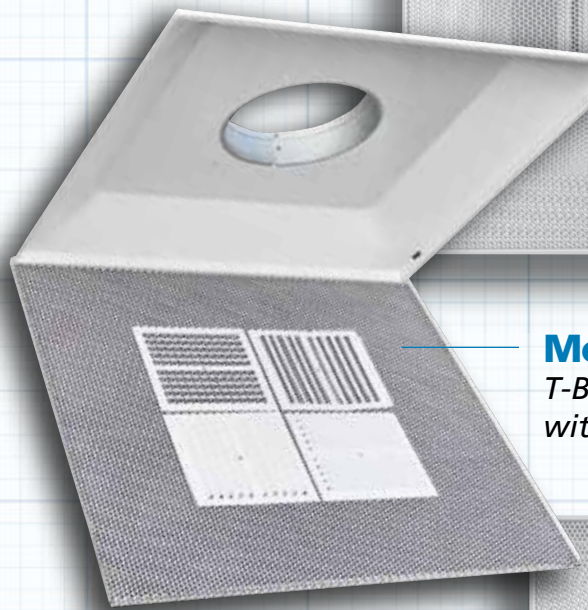
Model 1400CB

T-Bar Perforated Curved Blade - Supply Diffuser



Model 1420AB

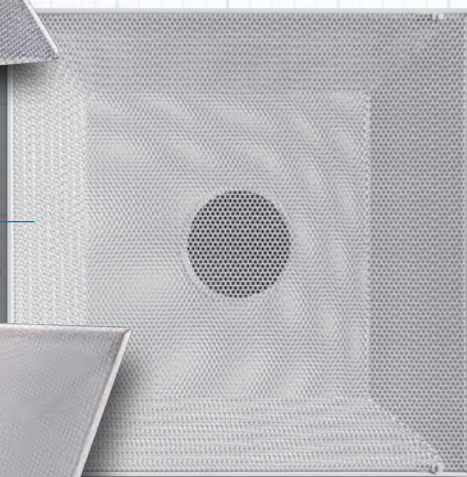
T-Bar Perforated Supply Diffuser with Rotating Deflectors



Shown in open position

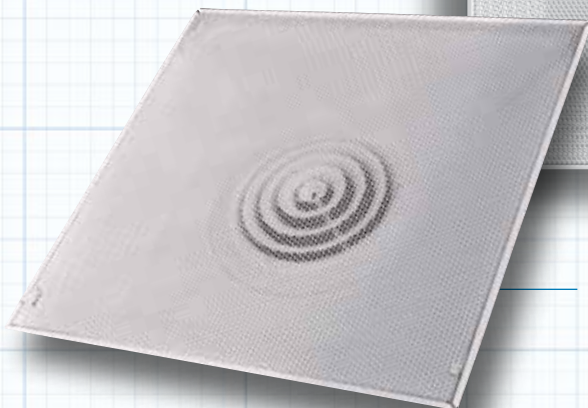
Model 1444RG

T-Bar Perforated Return Grille



Model 1480RD

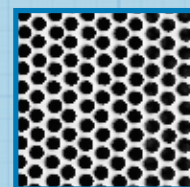
T-Bar Perforated Supply Diffuser



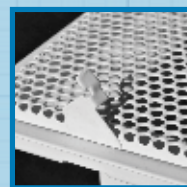
Features

- Steel construction
- Seismic support tabs
- TRUaire Super Collar
- Hinged 51% free open area perforated face
- Fine line available on 1400CB and 1444RG Models
- Pristine white powder coat finish
- Optional molded R6 insulated back

Product Detail

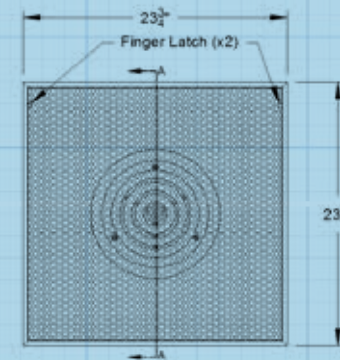


Steel Perforated Face 51% Open Area

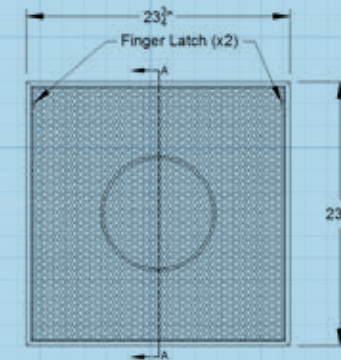


SmoothGlide™ Latch Technology

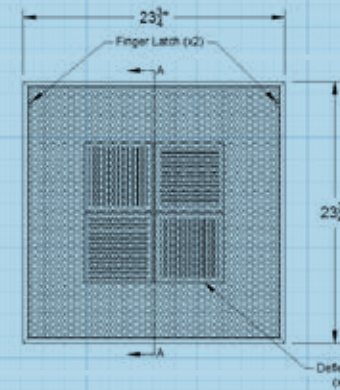
1480RD



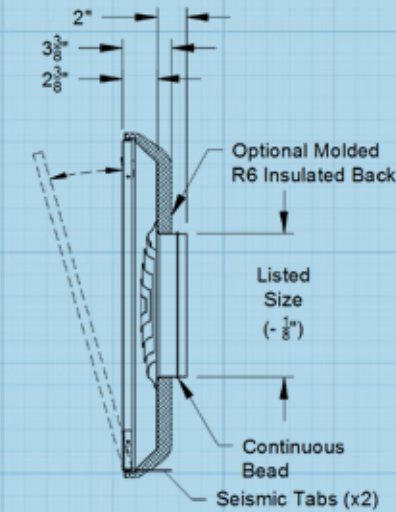
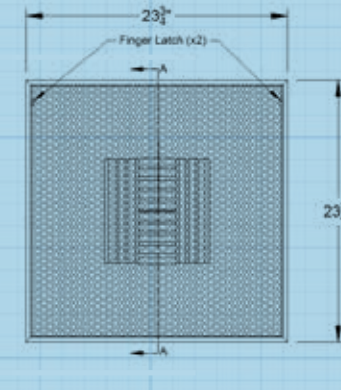
1444RG



1420AB



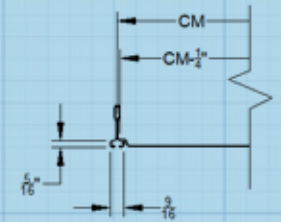
1400CB



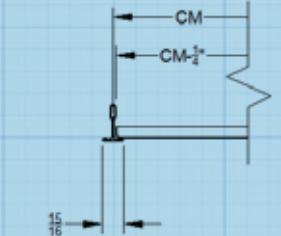
Narrow Grid

1400CB & 1444RG models only

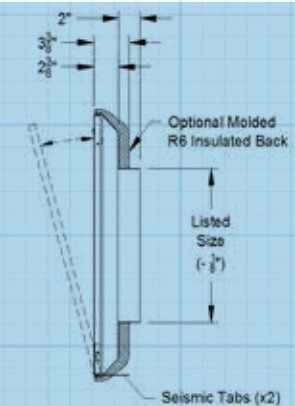
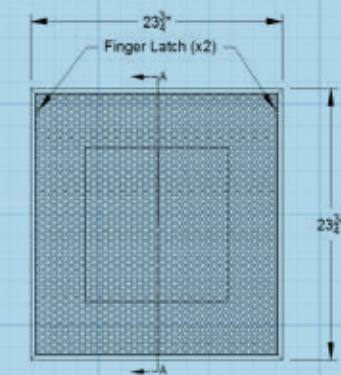
Narrow Grid



Lay-in



1455RG



Model Number Specifications

T-Bar Hinged Perforated Face Diffuser Style
 00CB = Curved Blade Supply
 20AB = Deflector Supply
 44RG = Round Neck Return
 55RG = Square Neck Return
 80RD = Round Supply
 Fine Line
 Blank = Lay-In
 FL = Narrow Grid
 (Only Available on 1400CB and 1444RG)

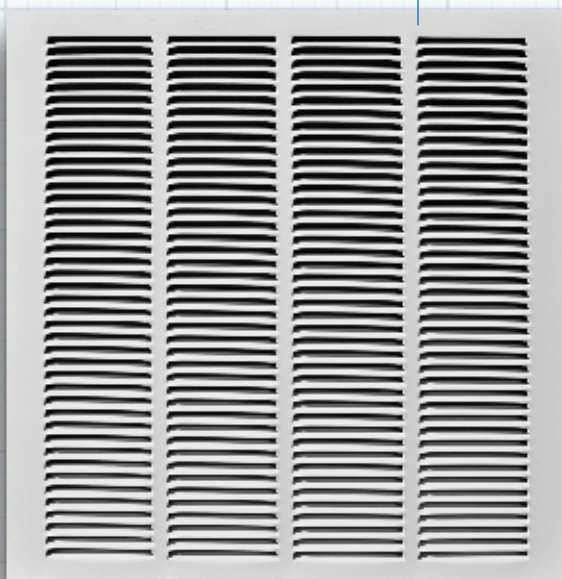
1400CBFL08IN

R6 Insulation Option
 Blank = No Molded R6 Insulated Back
 IN = Molded R6 Insulated Back
 Neck Size
 06 = 6"Ø
 08 = 8"Ø
 10 = 10"Ø
 12 = 12"Ø
 14 = 14"Ø or 14 = 14" x 14" (Model 1455RG Only)
 16 = 16"Ø
 18 = 18"Ø
 20 = 20"Ø

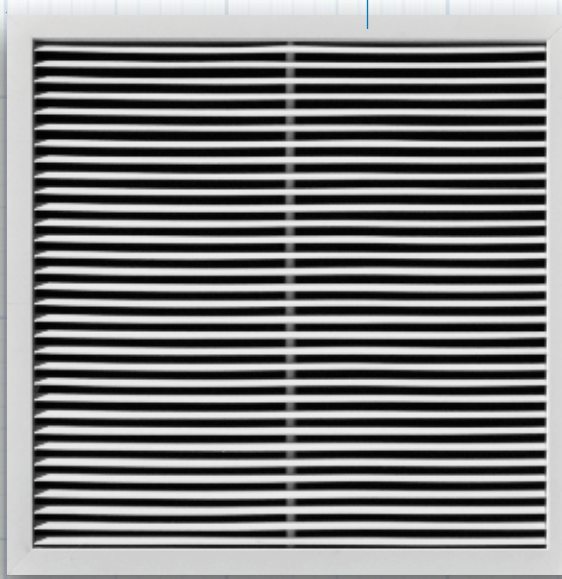
1110 Series

There are four basic face designs available in our T-Bar Return Panel product line with a couple of options for each model to address every installation concern. Every model is designed to be simple and flexible; ranging from the economy of stamped steel to the more luxurious and stylish look of aluminum egg crate.

Model 1110RG
Stamped Steel Panel



Model 1210RG
Model A1210RG
Fixed Bar Panel
60° Blade Angle from Face



Features

- Versatile face designs
- Rugged steel or aluminum models
- Durable white powder-coat
- Pristine white powder coat finish

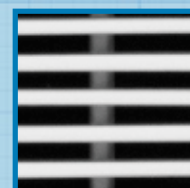
Product Detail



Model 1110RG - Detail View of Stamped Steel Panel with 1/2" Blade Spacing

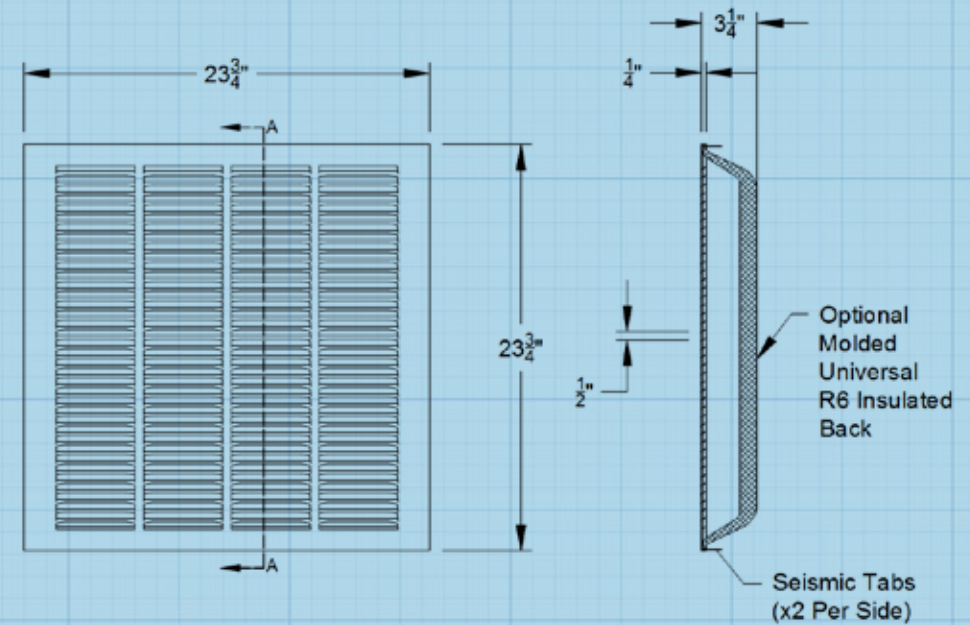


Stamped Steel with 1/2" Blade Spacing

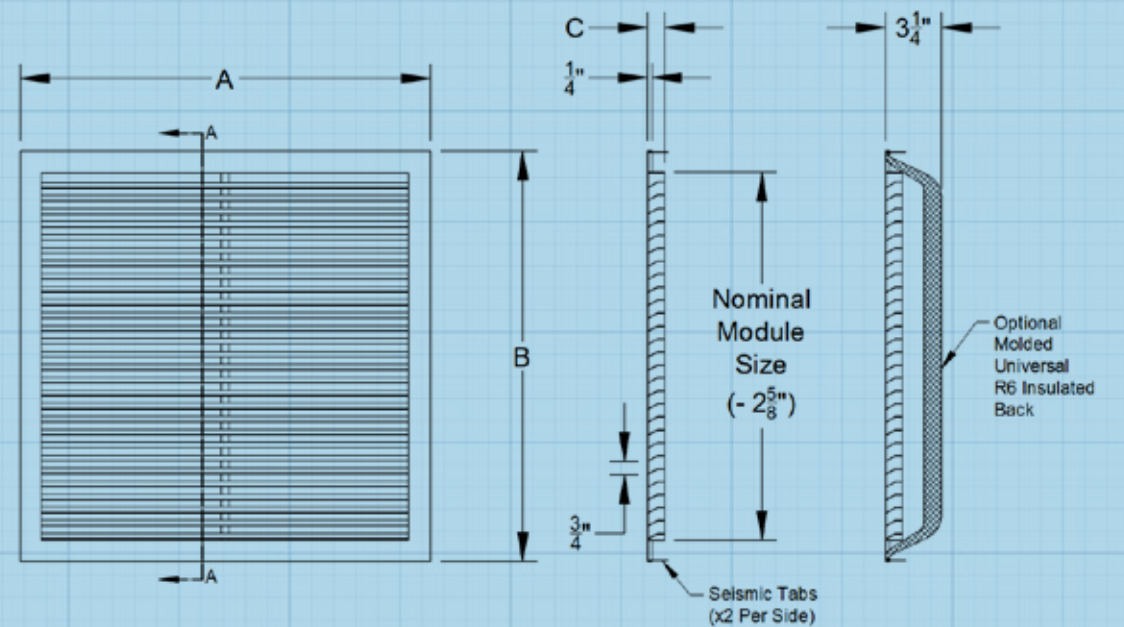


Steel Fixed Bar with 3/4" Blade Spacing

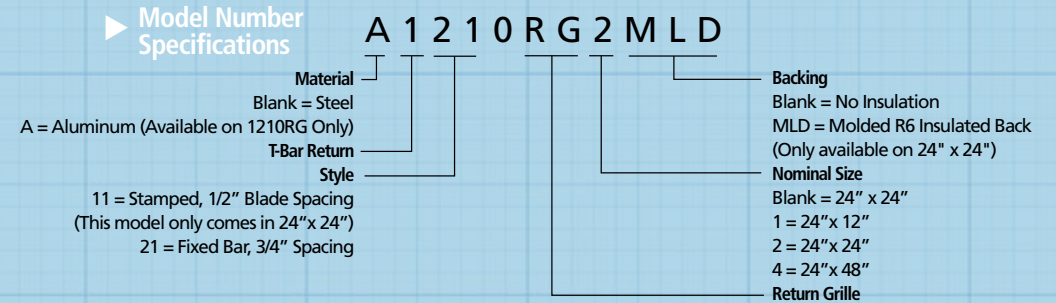
MODEL 1110



MODEL 1210RG



Model Number Specifications



1900 Series

There are four basic face designs available in our T-Bar Return Panel product line with a couple of options for each model to address every installation concern. Every model is designed to be simple and flexible; ranging from the economy of stamped steel to the more luxurious and stylish look of aluminum egg crate.

Model 1920RG
Perforated Steel Panel

Model 1930RG
Acrylic Egg-crate Panel

Model 1940RG
Aluminum Egg-crate Panel

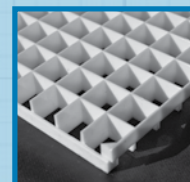
1960RG / A1960RG
Acrylic Egg-crate Core

1970RG / A1970RG
Aluminum Egg-crate Core

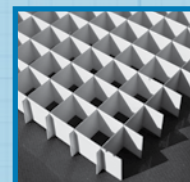
Features

- Versatile face designs
- Rugged steel or aluminum models
- Pristine white powder coat finish (except aluminum egg-crate)

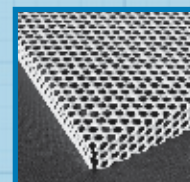
Product Detail



Acrylic Egg Crate

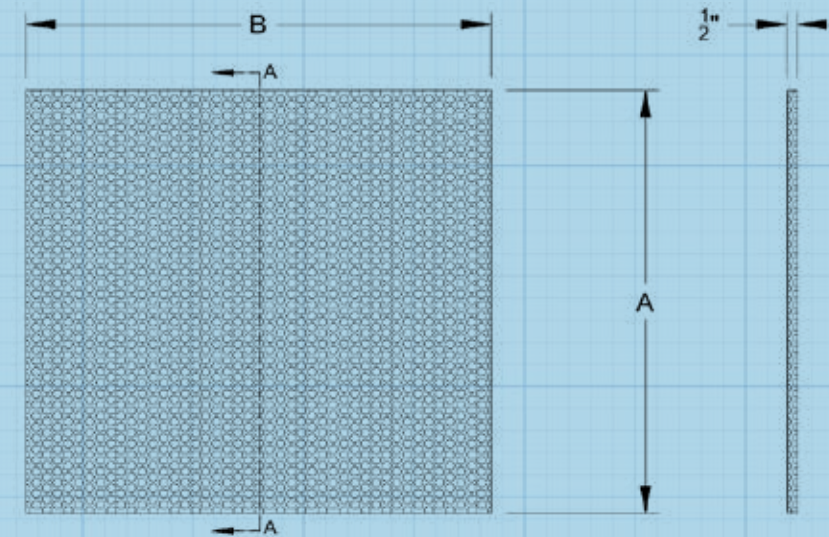


Aluminum Egg Crate



Perforated Face

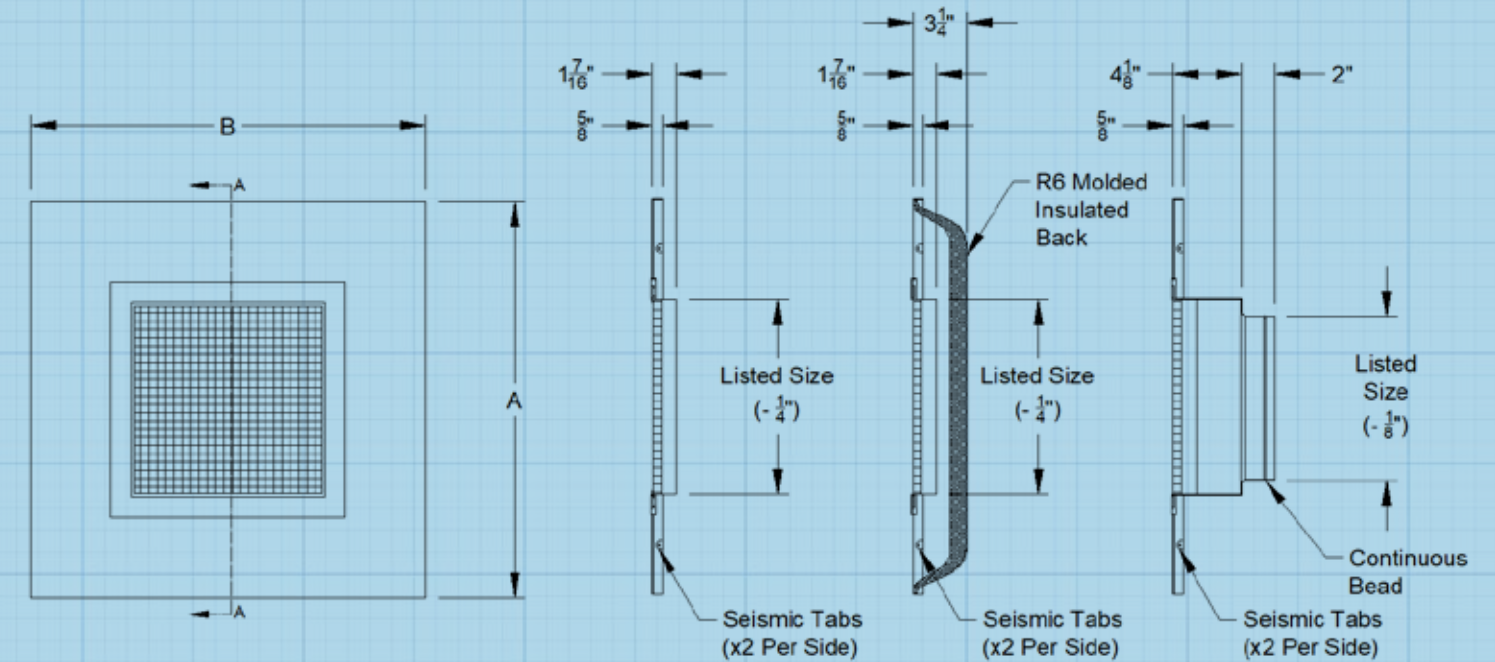
MODEL 1920RG



Nominal Module Size	Dimensions A	
	"A"	"B"
12" x 24"	11-3/4"	23-3/4"
24" x 24"	23-3/4"	23-3/4"
24" x 48"	23-3/4"	47-3/4"

NOTE: Perforated face shown, all dimensions are typical for 1930/1940.

MODEL 1970RG



Model Number Specifications

A 1960 R G S Q 10

- Material: Blank = Steel, A = Aluminum
- T-Bar Return Style: 96 = Acrylic Egg Crate, 97 = Aluminum Egg Crate
- Return Grille
- Neck Size: 06 = 6", 08 = 8", 10 = 10", 12 = 12", 14 = 14", 16 = 16", 18 = 18", 20 = 20", 22 = 22"
- Neck Geometry: SQ = Square, RD = Round

Model Number Specifications

1930 R G 2

- T-Bar Return Style: 92 = Perforated Panel (Non-Ducted), 93 = Acrylic Egg Crate Panel (Non-Ducted), 94 = Aluminum Egg Crate Panel (Non-Ducted)
- Return Grille
- Nominal Size: 0 = 12" x 12", 1 = 12" x 24", 2 = 24" x 24", 4 = 24" x 48"

2000 Series

Step Down Diffusers go by many names; Lay-ins, Cone Diffusers, or even T-Bar Diffusers. The term "T-Bar" comes from the shape of the railing that holds the ceiling tiles in a drop ceiling. The railing forms a grid of squares and T-Bar Diffusers are designed to fit, or "lay-in", those grid squares.

The "cone" shape of the diffuser allows for a maximum volume of airflow into the air-conditioned space.

Model 2000PD
Model A2000PD
Single Plaque Diffuser



Model 2003CD
Model A2003CD
2 Cone Diffuser



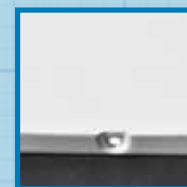
Model 2004CD
Model A2004CD
3 Cone Diffuser



Features

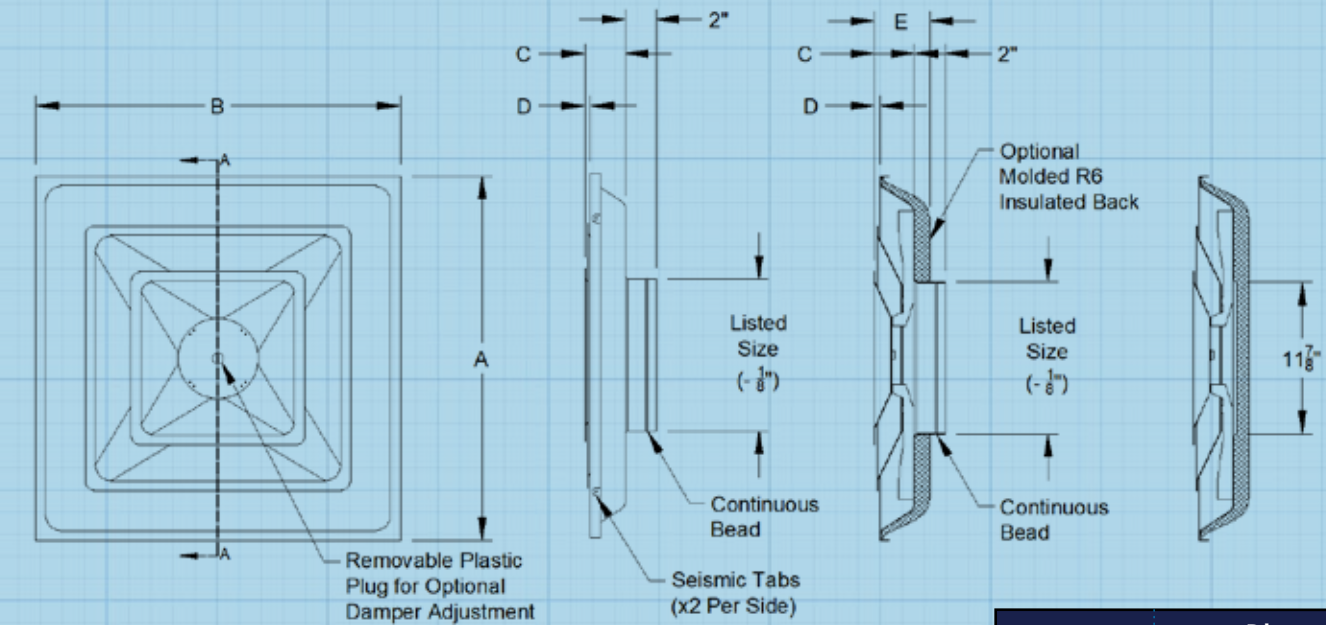
- Steel construction
- Aluminum construction on 2000PD, 2003CD and 2004CD
- Seismic support tabs
- TRUaire Super Collar
- Pristine white powder coat finish
- Optional molded R6 insulated back
- Optional butterfly damper
- Optional radial damper

Product Detail



Recessed hanger wire hole

MODEL 2000PD / 2003CD / 2004CD



NOTE: 2000PD shown; a; dimensions are typical for 2010PD, 2013CD/2003CD and 2004CD

Nominal Module Size	Dimensions				
	"A"	"B"	"C"	"D"	"E"
12" x 12"	11 3/4"	11 3/4"	1 1/4"	1/16"	2 1/4"
24" x 24"	23 3/4"	23 3/4"	2 5/8"	3/8"	3 5/8"

2000PD/2003CD/2004CD Series Options



R6 Insulated Steel Back with Collar
(Steel back, R6 insulation, fixed Super-Collar)



R6 Insulated Steel Back without Collar

Model Number Specifications

A 2 0 0 0 P D 0 8 I N B D

- Material**
Blank = Steel
A = Aluminum
(Available on 2000PD, 2003CD & 2004CD Only)
- T-Bar Square / Architectural Diffuser Style**
10PD = 12" x 12" Nominal, Single Plaque
00PD = 24" x 24" Nominal, Single Plaque
03CD = 24" x 24" Nominal, 2 Cone
13CD = 12" x 12" Nominal, 2 Cone
04CD = 24" x 24" Nominal, 3 Cone
- Damper Option**
Blank = No Damper
BD = Butterfly Damper
RAD = Radial Damper
- R6 Insulation Option**
Blank = No Molded R6 Insulated Back
IN = Molded R6 Insulated Back
- Neck Size**
06 = 6"Ø 08 = 8"Ø
10 = 10"Ø 12 = 12"Ø
14 = 14"Ø

2600 Series

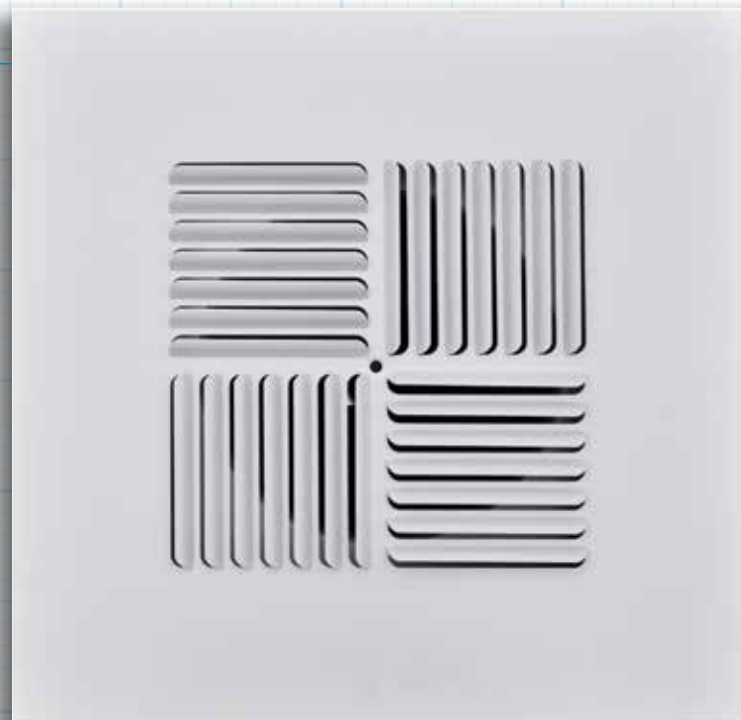
The 2600 Series diffusers are the perfect blend of style, function, and economy. As with everything TruAire makes, economy doesn't mean sacrificing quality. Manufactured with the highest standards, using heavy gauge steel and finished with our pristine white powder-coat, these stamped four-way diffusers utilize a large curved blade design providing a wide area of effective air diffusion. The outwardly curved blade pattern is an architecturally attractive design proving that form can also follow function.

Features

- Steel construction
- Seismic support tabs
- Stamped curved blade
- Pristine white powder coat finish
- Optional molded R6 insulated back
- Optional butterfly damper
- Optional radial damper
- Optional opposed blade damper

Model 2604SC

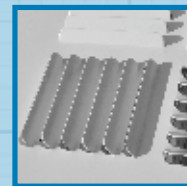
Curved Blade Diffuser - Steel Construction



Product Detail

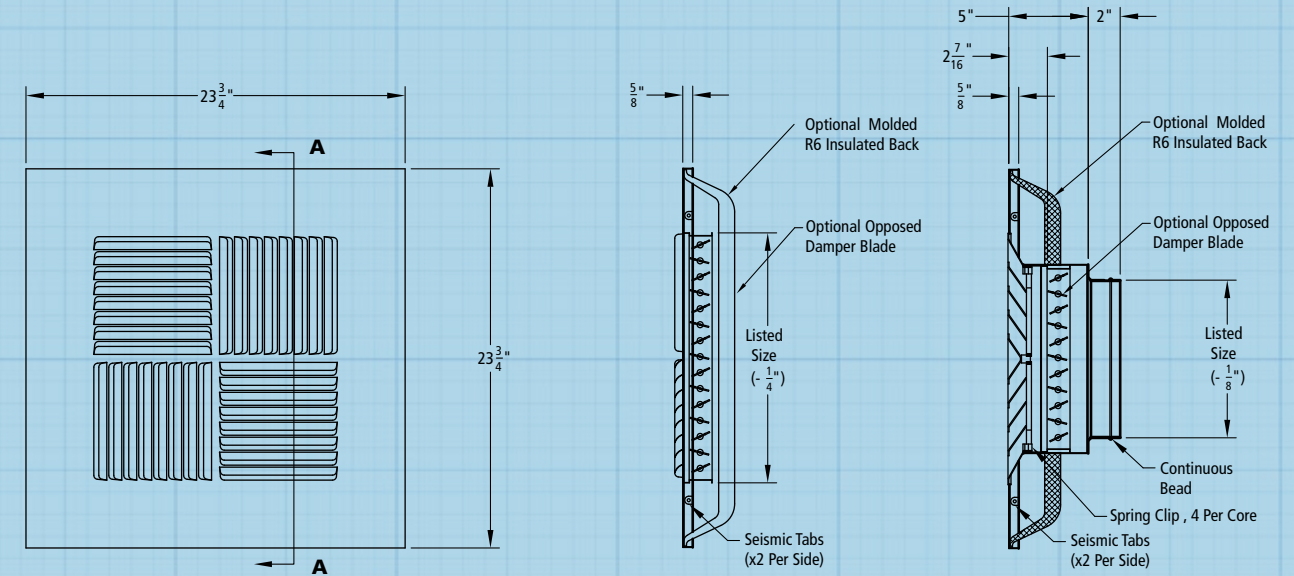


Optional Opposed Blade Damper



Detail view of stamped curved blades

Model 2604SC



Model 2604SC-RD

With Round Neck



Opposed Blade Damper
With Traditional Square Neck

Detail view - Model 2604SC
Reverse side shown with
Optional Opposed Blade Damper

Model Number Specifications

<p>T-Bar Stamped Curved Blade Diffuser (4-Way Only)</p> <p>Damper Option</p> <p>Blank = No Damper</p> <p>O = Opposed Blade</p> <p>Neck Geometry</p> <p>RD = Round</p> <p>SQ = Square</p>	<p>2604SCORD10IN</p>	<p>R6 Insulation Option</p> <p>Blank = No Molded R6 Insulated Back</p> <p>IN = Molded R6 Insulated Back</p> <p>Neck Size</p> <p>06 = 6"Ø</p> <p>08 = 8"Ø</p> <p>10 = 10"Ø</p> <p>12 = 12"Ø</p> <p>14 = 14"Ø</p> <p>16 = 16"Ø</p> <p>18 = 18"Ø</p>
--	-----------------------------	---

4000 Series

The 4000 Series T-Bar Filter Grille line-up is a comprehensive combination of design, function, and budget. From the economy of stamped steel to the shine of aluminum egg-crate, and every design in between, we pour the same commitment to quality into every product.

Whether you're building your own plenum box or utilizing our pre-made plenum backs, we've got the right design and the right installation options to fit every project.

Model 4010FG

Stamped Face Return - 1/2" Fins

Model 4060FG

Stamped Face Return - 1/3" Fins

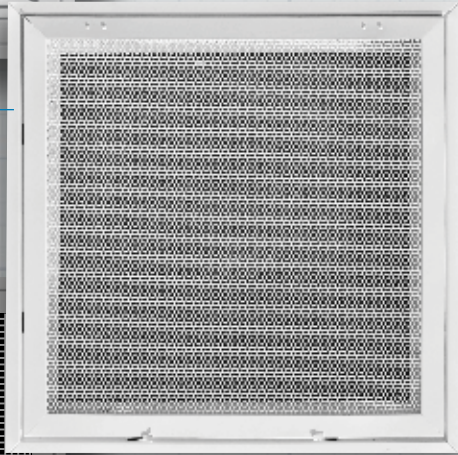
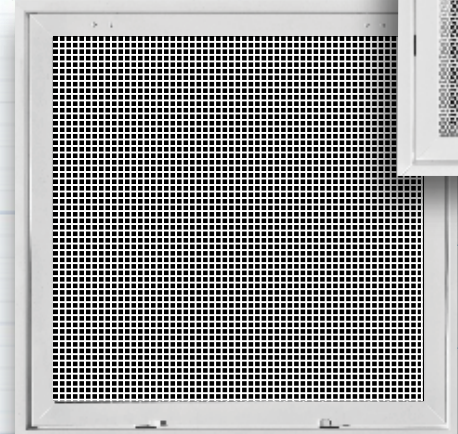


Model 4020FG Model A4020FG

Fixed Bar Return Air Filter Grille

Model 4030FG

Perforated Face
Return Air Filter Grille



Model 4040FG (Acrylic)

Egg-Crate Return Air Filter Grille

Model 4050FG (Aluminum)

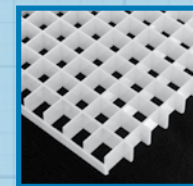
Egg-Crate Return Air Filter Grille

Features

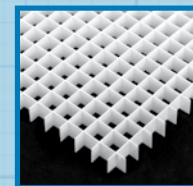
- Steel construction
- Aluminum construction on A4020FG
- Removable hinged face
- 5 face styles
- 1", 2" or 4" deep filter options
- 3 available sizes
- SmoothGlide Finger Latches
- Pristine white powder coat finish
- Optional molded R6 insulated back on filter Option 1
- Optional ductboard back on filter Option 0 and Option 4

NOTE: Filters are not included with return air filter grilles.

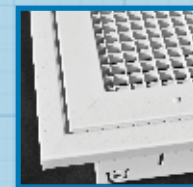
Product Detail



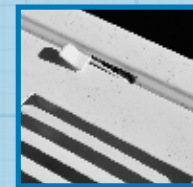
Acrylic



Aluminum

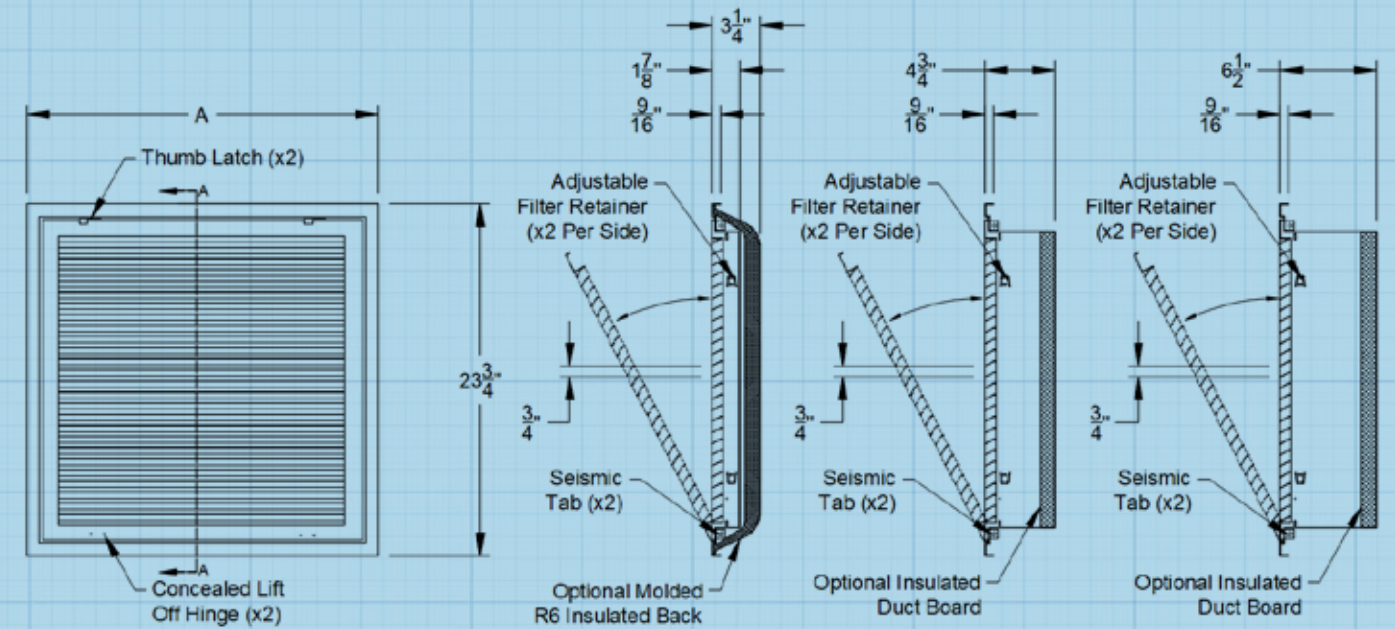


Premium Egg Crate

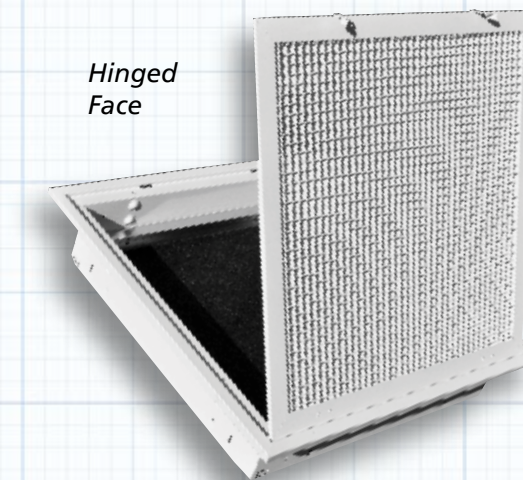


SmoothGlide Latch

MODEL 4000



NOTE: 4020FG/A4020FG shown; all dimensions are typical for 4010FG, 4030FG, 4040FG, 4050FG and 4060FG"

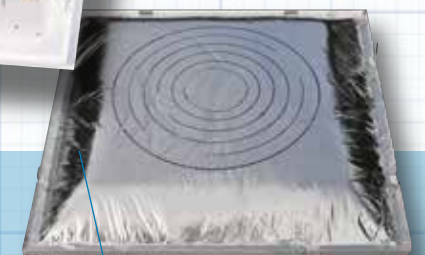
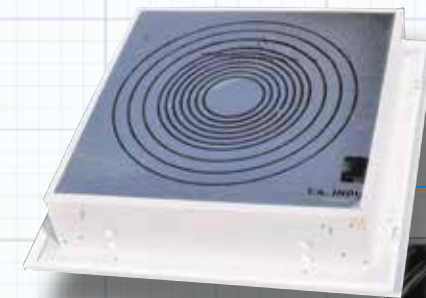


Hinged Face

Open Back - Without Duct Board



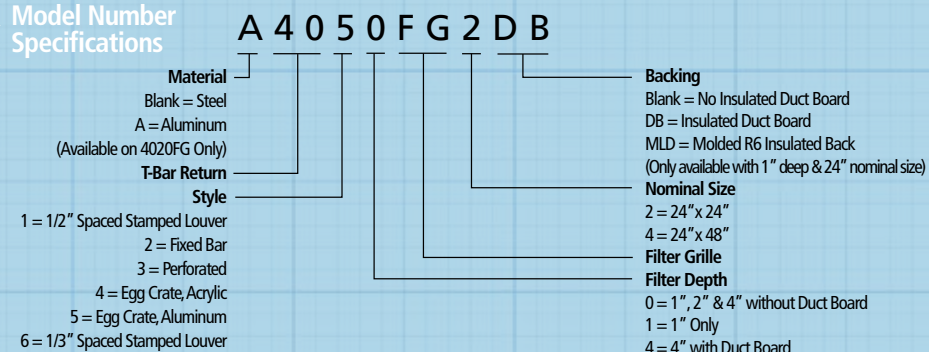
1 1/2" Ductboard Back



Universal R6 Molded Fiberglass Back

(*NOTE: The molded R6 back is available with 1" deep filter and 24"x 24" size)

Model Number Specifications



5200 Series

The 5200 Series Diffuser stands alone as the most versatile of all T-Bar Supply Diffusers. Four individually mounted aluminum snap-in cores can be arranged in one, two, three, or four-way throw configurations. The Model 5200 can also be arranged in a two-way corner throw for added versatility.

These four core sections are positioned together forming a square in the interior of either a top quality aluminum T-Bar panel, or less expensive steel T-Bar panel; both are 100% powder-coated to prevent rust and corrosion. Available with either steel or aluminum panels and in square or round duct connections or with the optional Opposed Blade Damper.

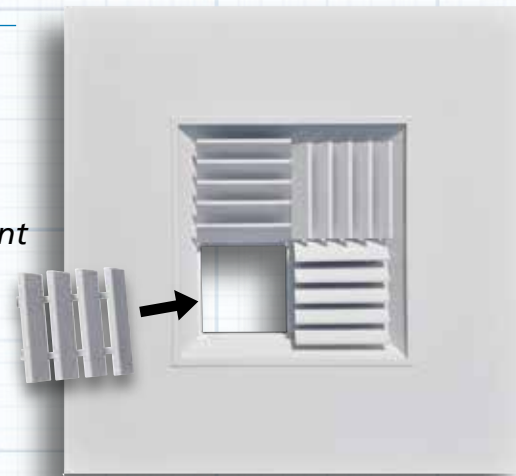
Model 5200CB

Aluminum Core - Steel Panel



Model A5200CB

Aluminum Core - Aluminum Panel



Shown with core component removed

Features

- Extruded aluminum core
- Available with either steel or aluminum panel
- Field configurable throw patterns; one, two, three or four way
- Pristine white powder coat finish
- Optional molded R6 insulated back
- Optional opposed blade damper

Product Detail

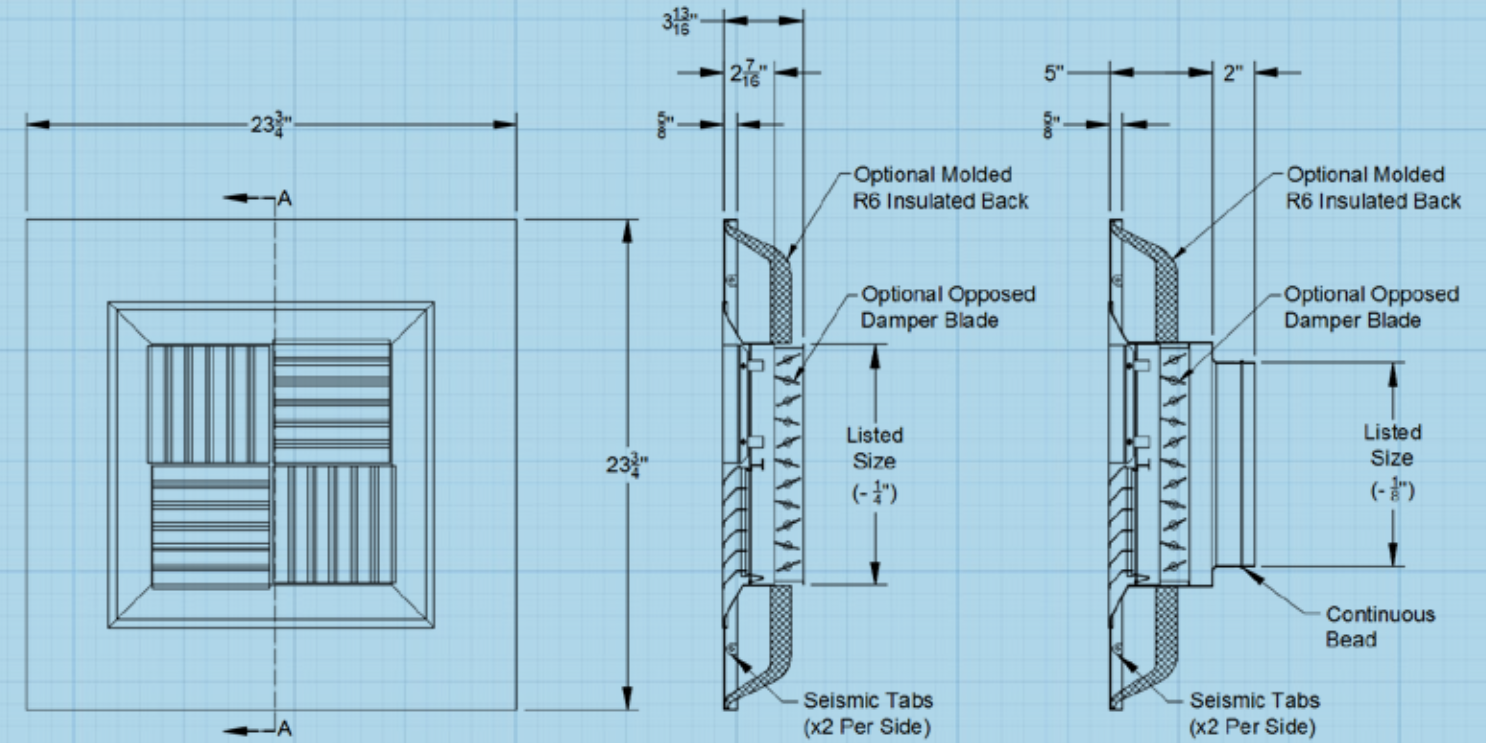


Detachable Cores



Recessed hanger wire hole

MODEL 5200CB



Field Configurable Throw Patterns

1 WAY



2 WAY



2 WAY-CORNER



3 WAY



4 WAY



Model Number Specifications

A 5 2 0 0 C B O R D 0 8 I N

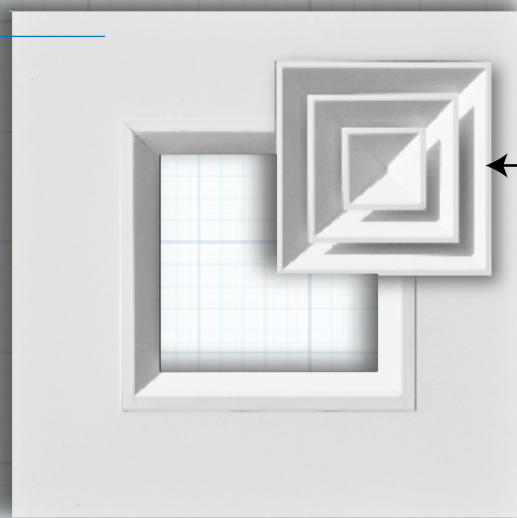
- Material: Blank = Steel Panel / Aluminum Core; A = Aluminum Panel / Aluminum Core
- T-Bar Modular Core Diffuser
- Damper Option: Blank = No Damper; O = Opposed Blade
- Neck Geometry: RD = Round; SQ = Square
- R6 Insulation Option: Blank = No Molded R6 Insulated Back; IN = Molded R6 Insulated Back
- Neck Size: 06 = 6"Ø; 08 = 8"Ø; 10 = 10"Ø; 12 = 12"Ø; 14 = 14"Ø; 16 = 16"Ø; 18 = 18"Ø; 20 = 20"Ø

5400 Series

This attractive T-Bar design comes in a sleek low-profile blade arrangement, engineered to be "flush" with the ceiling. This diffuser might be considered the architects first choice for small to medium-sized commercial projects.

The all aluminum blade construction, in one, two, three, four-way, and even two-way corner throw configurations, can be ordered in a matching aluminum T-Bar panel, or a rugged steel T-Bar panel. The back of this diffuser comes in 6, 9, 12, 15, and 18-inch square neck configurations or with a Universal Fiberglass Back. Optional high-quality Opposed Blade Dampers and optional insulation rounds out the offering.

Model 5400SD Aluminum Core / Steel Panel
Model A5400SD Aluminum Core / Aluminum Panel
 4-Way Deflection (Shown with blades removed)

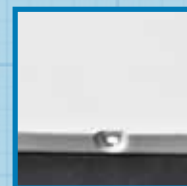


Easy-to-change modular blades are interchangeable. Choose from air-throw patterns below. **NOTE:** Model 5404SD is most common.

Features

- Extruded aluminum core
- Available with steel or aluminum panel
- 5 air-throw patterns
- Removable center core
- Pristine white powder coat finish
- Optional molded R6 insulated back
- Optional opposed blade damper

Product Detail

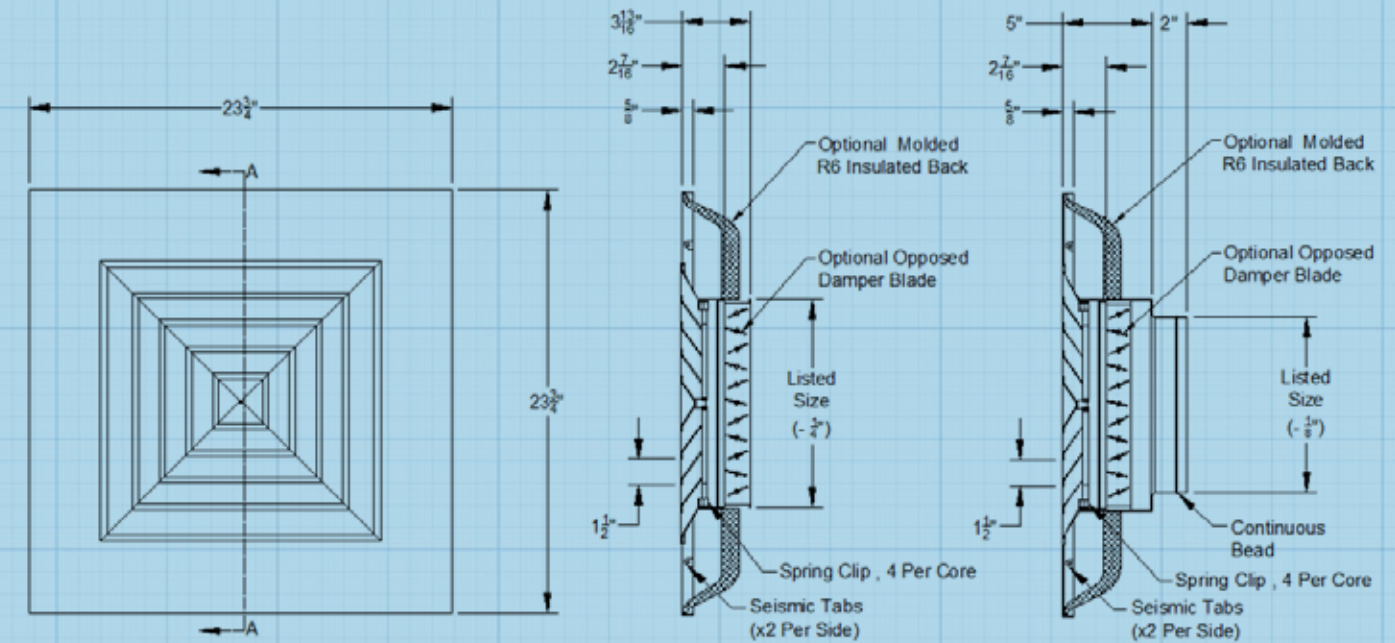


Recessed hanger wire hole



Low-Profile Blade Design

MODEL 5400



5404 shown; all dimension are typical.

Throw Patterns:

MODEL 5401
One Way



MODEL 5402
Two Way



MODEL 5403
Three Way



MODEL 5404
Four Way



MODEL 5405
Two Way
Corner Throw



Model Number Specifications

A 5 4 0 4 S D O R D 0 8 I N

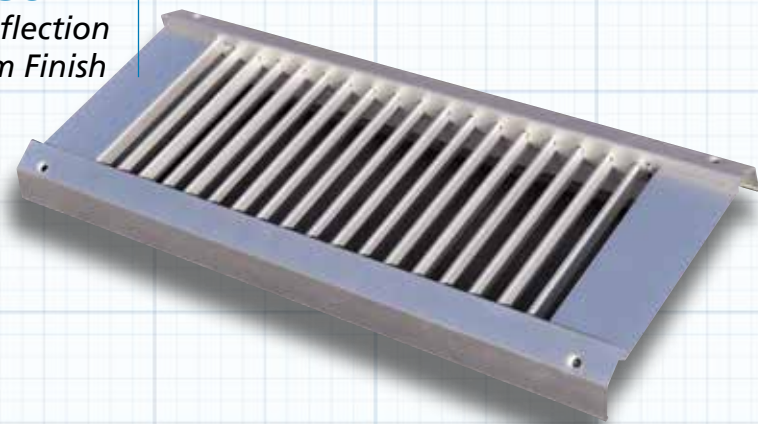
- Material
Blank = Steel Panel / Aluminum Core
A = Aluminum Panel / Aluminum Core
- T-Bar Directional Diffuser
- Throw Directions
1 = 1 Way 2 = 2 Way Parallel
3 = 3 Way 4 = 4 Way
5 = 2 Way Corner
- Square Diffuser
- Damper Option
Blank = No Damper
O = Opposed Blade Damper

- R6 Insulation Option
Blank = No Molded R6 Insulated Back
IN = Molded R6 Insulated Back
- Neck Size
06 = 6"Ø 08 = 8"Ø
10 = 10"Ø 12 = 12"Ø
14 = 14"Ø 16 = 16"Ø
18 = 18"Ø 20 = 20"Ø
- Neck Geometry
RD = Round
SQ = Square

SU Series

TRUaire's SU series universal spiral duct supply grilles are designed to be installed directly on round or spiral duct, eliminating the need for costly register taps and offer a clean, low profile appearance. These grilles come in either vertical single deflection or front vertical double deflection. They have 3/4" spacing and individually adjustable blades and a high density closed cell foam gasket on each end which allow the grille to form seamlessly to multiple duct diameters. Optional air scoop extracts air from the duct, allowing for air balancing and uniform air flow.

Model SU1A
Single Deflection
Aluminum Finish



Model SU2W
Double Deflection
Pristine White Finish

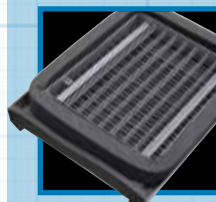


- Features**
- Aluminum construction
 - SU1 is single deflection with individually adjustable vertical blades
 - SU2 is double deflection with individually adjustable blades with vertical front blades
 - 3/4" blade spacing
 - Open cell foam gasket for air tight seal
 - Pristine white or aluminum powder coat finishes
 - Optional scoop damper

Available Finishes

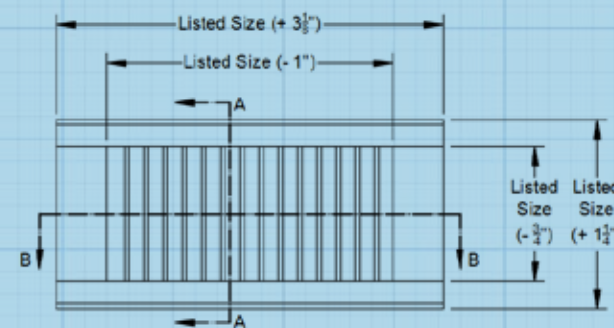
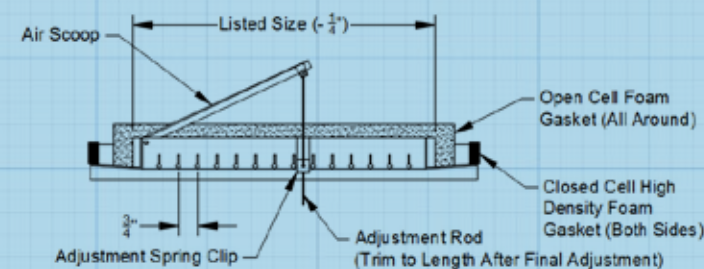


Product Detail



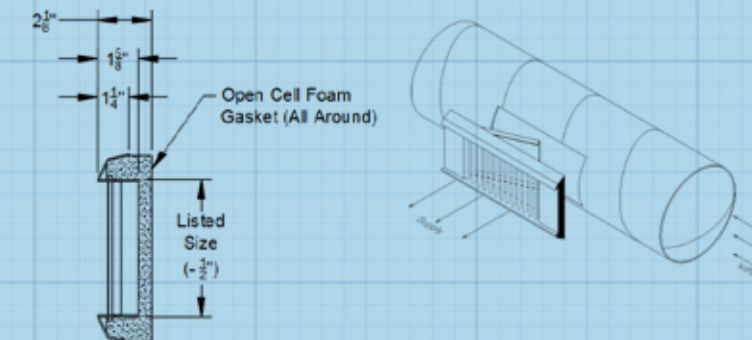
Reverse side of Universal Model showing thick foam

MODEL SU



Model SU Minimum / Maximum Duct Diameters

Duct Diameter (IN)	GRILLE HEIGHT (IN)					
	3	4	6	8	10	12
Min/Max	10/36	10/36	12/36	20/36	24/36	24/36



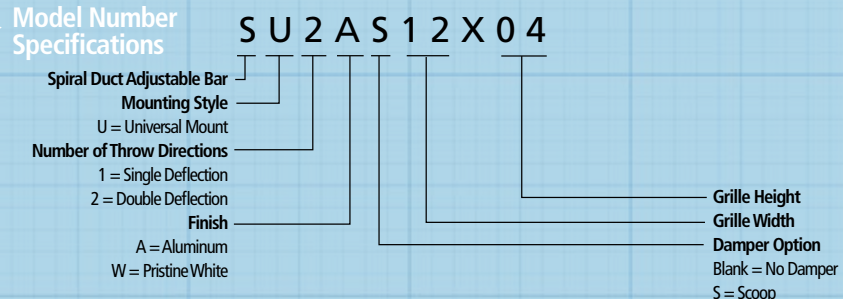
SU Series Options

Optional Scoop Damper
An optional air scoop is available to divert a portion of the airstream out through the register

Detail View of Scoop Option



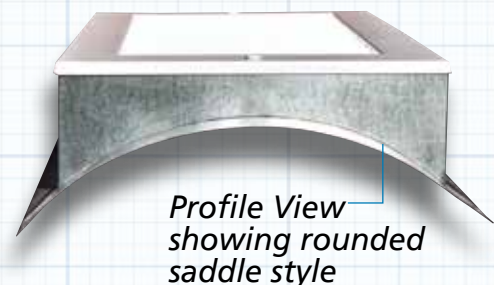
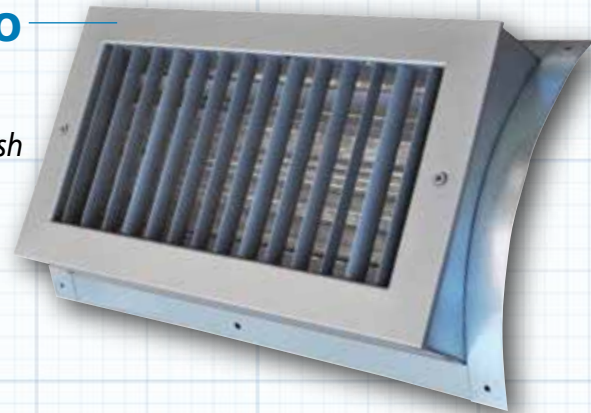
Model Number Specifications



SD Series

TRUaire's SD series spiral duct supply grilles are designed to be installed directly on round or spiral duct, eliminating the need for costly register taps and offers a clean appearance. The curved saddle of these grilles is designed to follow the contour of round or spiral duct for a tight fit. These grilles come in either a vertical single deflection or front vertical double deflection. Optional air scoop or optional aluminum opposed blade damper both have a screwdriver adjustment which is accessible through the face of the registers allowing for air balancing and uniform air flow.

Model SD1A-O
Saddle Type
Single Deflection
Aluminum Grey Finish



Model SD2W
Saddle Type
Double Deflection
Pristine White Finish



Features

- Aluminum construction
- Galvanized saddle construction
- 3/4" blade spacing
- SD1 is single deflection with individually adjustable vertical blades
- SD2 is double deflection with individually adjustable blades with vertical front blades
- Pristine white or aluminum powder coat finishes
- Optional scoop damper
- Optional opposed blade damper

Available Finishes

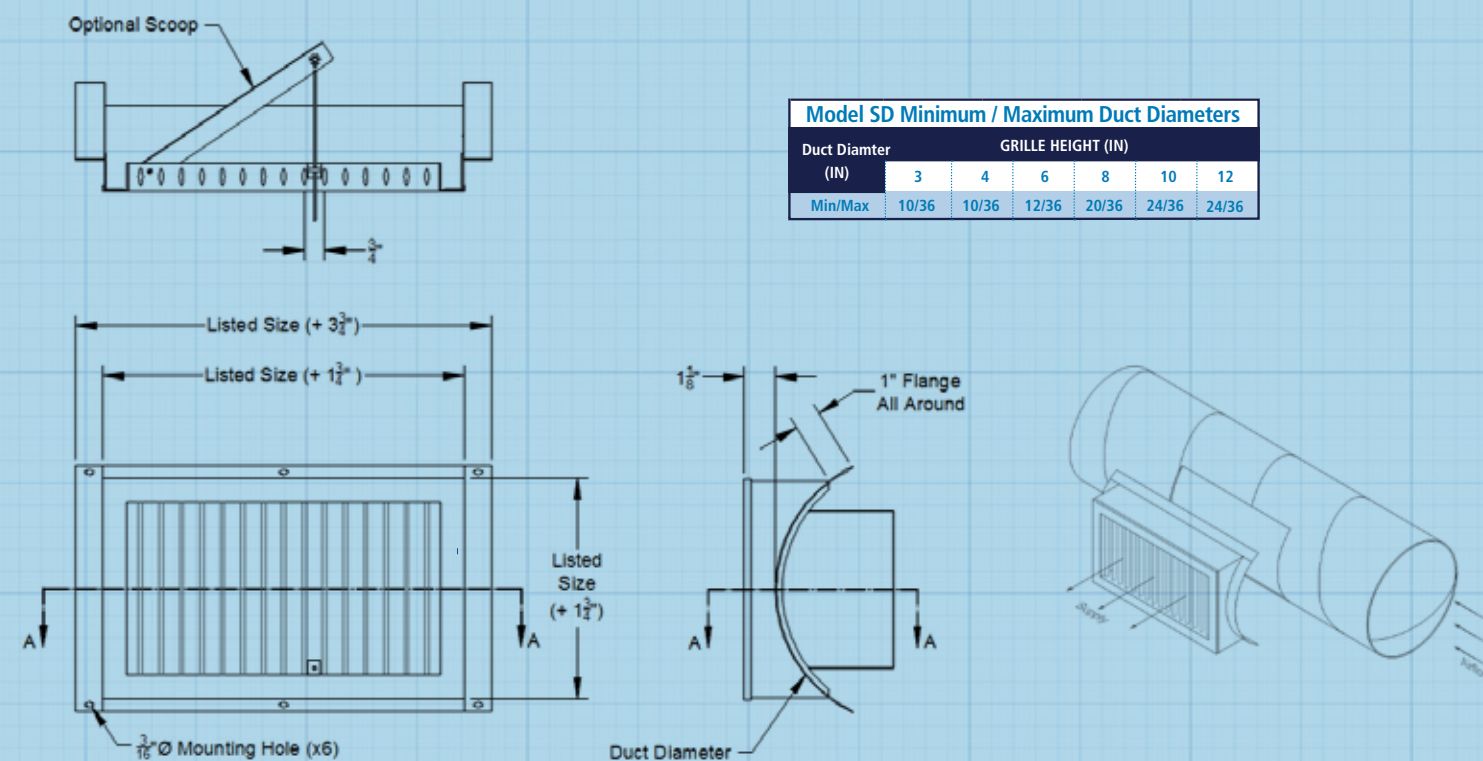


Product Detail



Optional Opposed Blade Damper

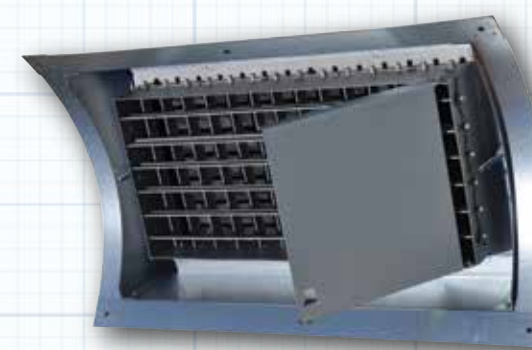
MODEL SD



SD Series Options

Optional Scoop Damper
An optional air scoop is available to divert a portion of the airstream out through the register

Detail View of Scoop Option



Detail View of Opposed Blade Damper Option



Model Number Specifications

S D 2 A S 1 2 X 0 4 1 2

Spiral Duct Adjustable Bar
Mounting Style
D = Saddle Mount
Number of Throw Directions
1 = Single Deflection
2 = Double Deflection
Finish
A = Aluminum
W = Pristine White

Duct Diameter
08 = 8"Ø 10 = 10"Ø
12 = 12"Ø 14 = 14"Ø
16 = 16"Ø 18 = 18"Ø
20 = 20"Ø 24 = 24"Ø
Grille Height
Grille Width
Damper Option
Blank = No Damper
O = Opposed Blade
S = Scoop

Note; Spiral duct diameter must be at least 4" greater than the grille height" in a single line of text.

SF Series

Truairé's SF series spiral duct supply grilles are designed to be installed directly on round or oval duct, eliminating the need for costly register taps and offers a clean, low profile appearance. The curved frame of these grilles is designed to follow the contour of round or oval duct and has a closed cell gasket for an air tight fit. These grilles come in either vertical single deflection or front vertical double deflection. Optional air scoop or optional aluminum opposed blade damper both have a screwdriver adjustment which is accessible through the face of the registers allowing for air balancing and uniform air flow.

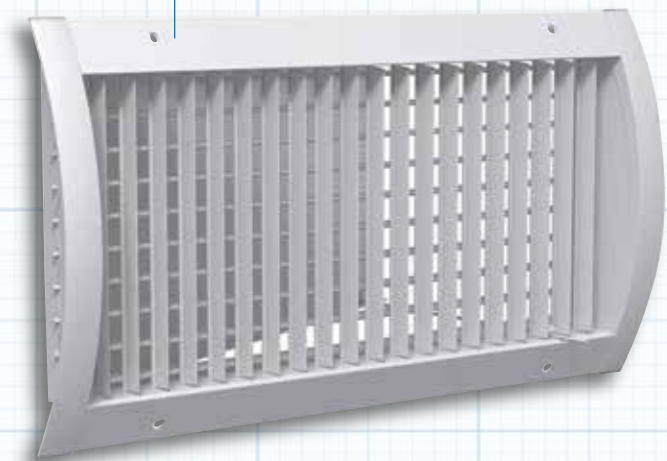
Model SF1A

Saddle Type
Single Deflection
Aluminum Finish



Model SF2W-S

Saddle Type
Double Deflection
Pristine White Finish
with Scoop



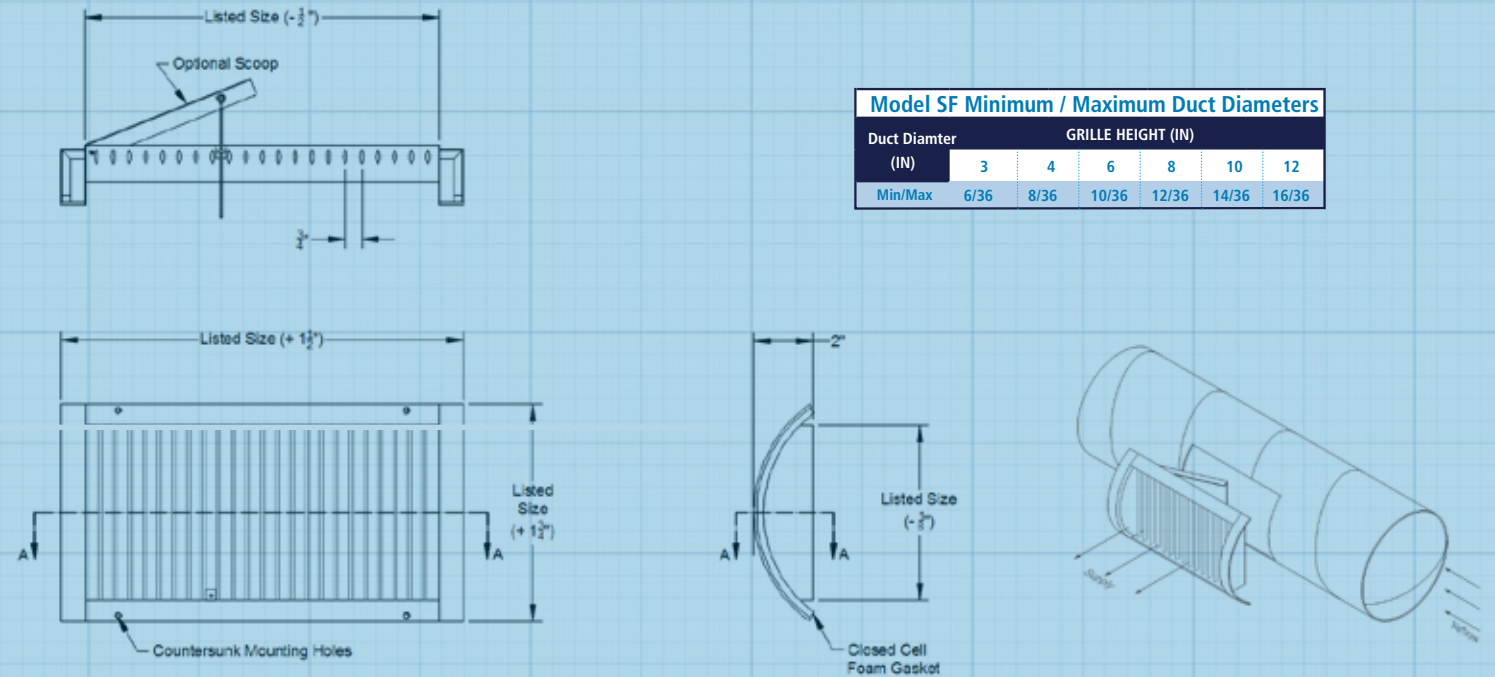
Features

- Aluminum construction
- SF1 is single deflection with individually adjustable vertical blades
- SF2 is double deflection with individually adjustable blades with vertical front blades
- Foam gasket for air tight seal
- 3/4" blade spacing
- Pristine white or aluminum powder coat finishes
- Optional scoop damper

Available Finishes

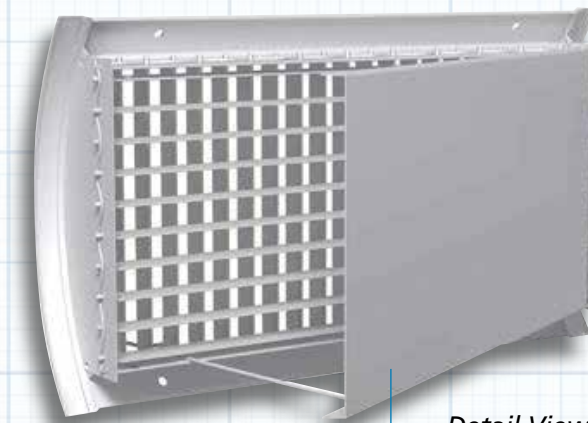


MODEL SF



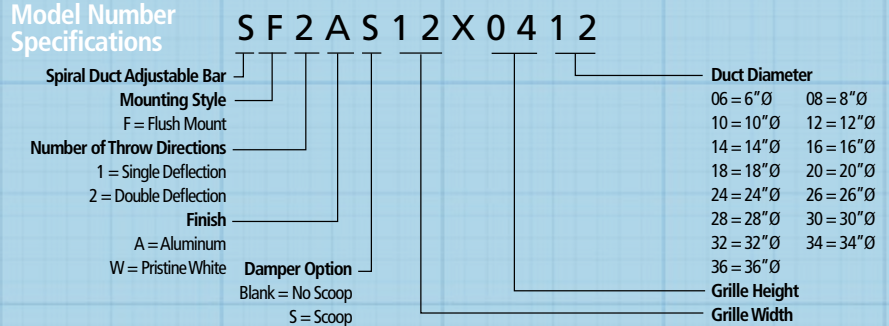
SF Series Options

Optional Scoop Damper
An optional air scoop is available to divert a portion of the airstream out through the register.



Detail View of Scoop Option

Model Number Specifications



*Note: Spiral duct diameter must be at least 4" larger than the height of the grille.

LD / LDR Series

Sleek and unobtrusive; linear slot diffusers are the architects dream come true. Long narrow slots take the place of traditional "blades". The installation is flush with the wall or ceiling, and the diffuser all but disappears within the natural lines of the structure.

TRUaire's linear slot diffusers offer high performance with a 180° range of air pattern adjustment and complete flow rate control. Each model features a solid extruded aluminum border and frame construction which is sure to compliment any modern architectural design giving you true flexibility in application.



Model LD1
1 Slot Linear Diffuser

Model LD2
2 Slot Linear Diffuser

Model LD3
3 Slot Linear Diffuser

Model LD4
4 Slot Linear Diffuser

LB Series

Truair's LB Series linear bar grilles offer a clean, crisp style while providing an efficient air distribution and are manufactured using the highest quality materials to provide strength and durability. Truair's extruded aluminum linear bar grilles are designed for heating, cooling and ventilating applications, and are recommended for sidewall, floor, or sill installation (not recommended for ceiling applications). The LB Series linear bar grilles are only offered with fixed air patterns parallel to long dimension, either a 0° or 15° deflection core. These grilles have a durable, pristine white powder coat finish.

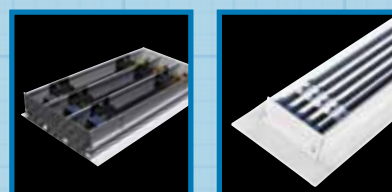


Model LB
Linear Bar Diffuser - 1/4" Bar, 1/2" Spacing

Features

- Extruded aluminum construction
- 1/2", 3/4" and 1" slot widths
- 1 to 8 slots available
- Supply or return; Returns have pattern deflectors omitted
- 6 foot maximum one-piece construction
- Available in two end styles
- Custom Lengths available in both the LD and LDR models
- Pristine white powder coat finish
- Optional flat end plates

Product Detail



3-Slot Linear Diffuser

Linear Bar Diffuser



Channel style mounting bracket

Detail of Extension Coupler

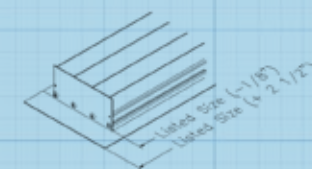
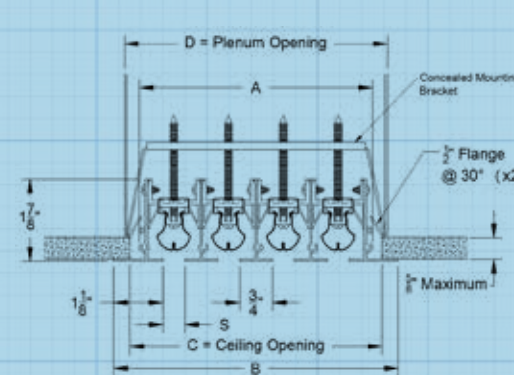


Reverse side of Linear Diffuser showing slots

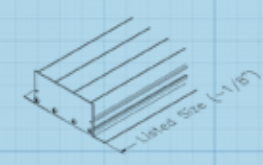
Features

- Extruded aluminum construction
- 0° deflection
- 6 foot maximum one-piece construction
- Custom lengths available
- Pristine white powder coat finish

MODEL LD



Flanged End Plate



Flat End Plate

Field Configurable Throw Patterns



Supply

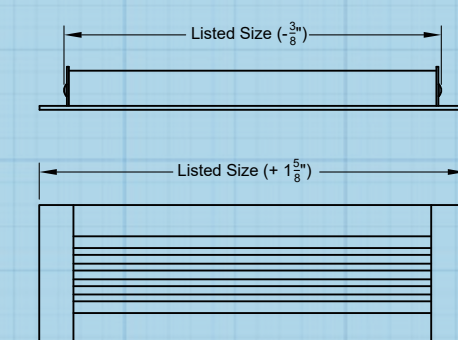
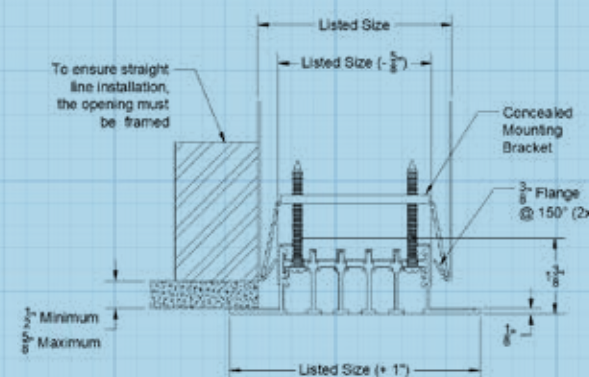
Return

Left

Center

Right

LB Series



Model Number Specifications

LDR48B4

- Linear Slot Type
- Blank = Supply with Deflectors
- R = Return without Deflectors
- Length
- Number of Slots 1 thru 8
- Slot Width
- A = 1/2"
- B = 3/4"
- C = 1"

Stocked Incremental Units of Length are: 1, 2, 3, 4, 5 and 6 FT.

Model Number Specifications

LBA24x04

- Linear Bar Core Style
- Grille Height Available from 2" to 6" in 1/2" increments
- Grille Width
- Stocked Incremental Units of Length are: 24, 36, 48, 60 and 72.

A = 1/4" Bar, 1/2" Spacing, 0° Deflection

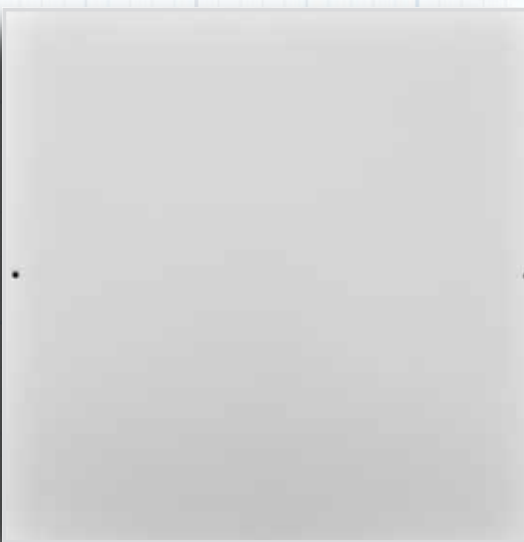
ACD690 / 670 Series

Truairé's ACD690 Series access doors and 670 Series access panels are an economical and attractive access door for walls and/or ceilings. Both models are ideally suited for apartment, condominiums and office buildings where easy access to mechanical, electrical and plumbing fixtures behind a walls and/or ceilings is required.

They are designed for installations in drywall, plaster, masonry, tile or any flush surface. These access doors have concealed fixed hinges and Smooth-Glide Technology finger latches. ACD690 access doors have a 1-3/8" exposed flange that completely conceals the wall and/or ceiling opening while the 670 Series access panels are oversized by 1-3/8" to completely conceal the listed wall and/or ceiling opening providing a clean finish look.



Model ACD690
Solid Face Access Door
Hinged Face



Model 670
Solid Face Access Panel
Screw Mount

Features

- Steel construction
- Fixed hinge panel on ACD690 only
- SmoothGlide™ finger latches on ACD690 only
- Pristine white powder coat finish

Product Detail



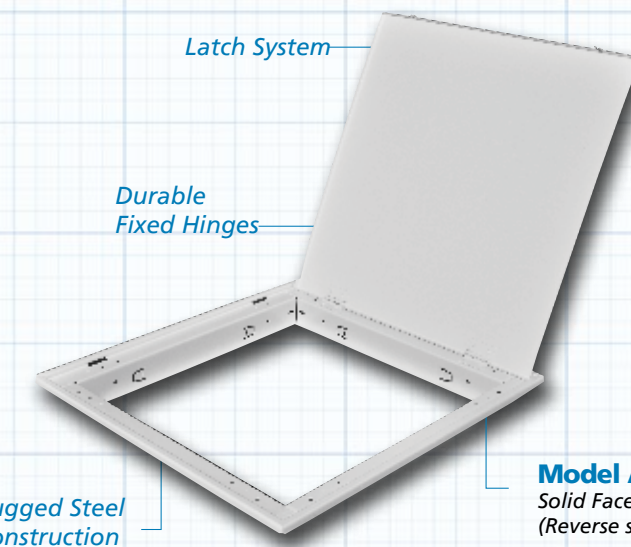
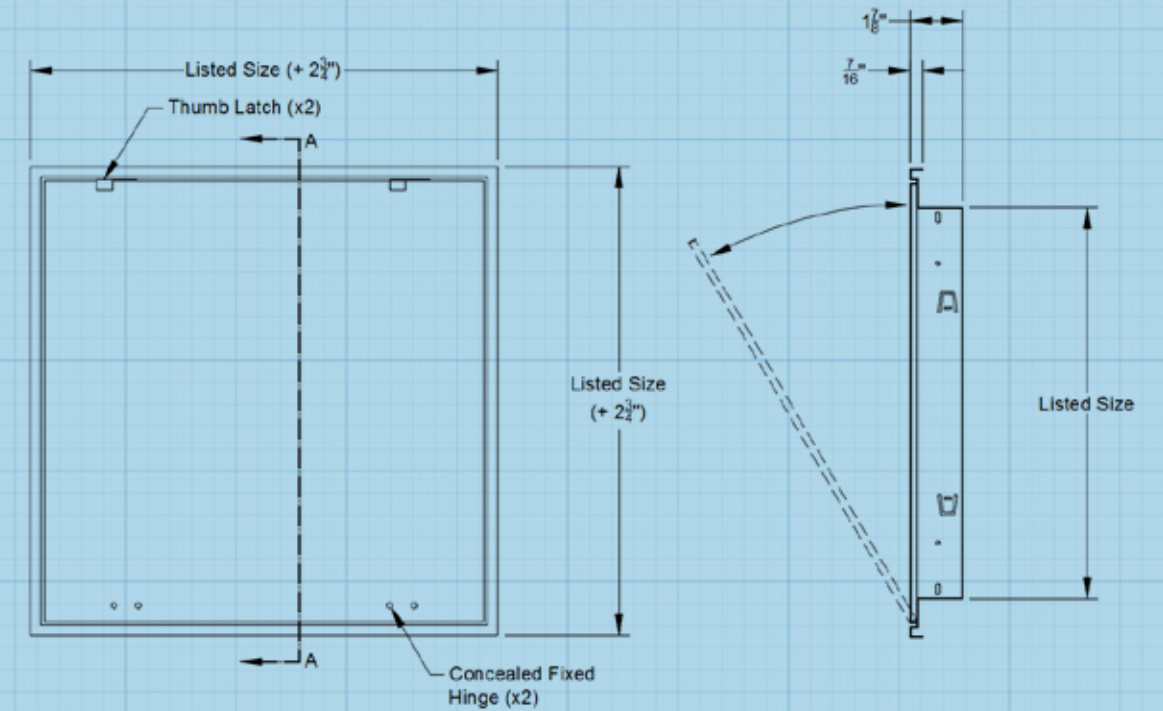
Access Panel Latch



Access Panel Fixed Hinge

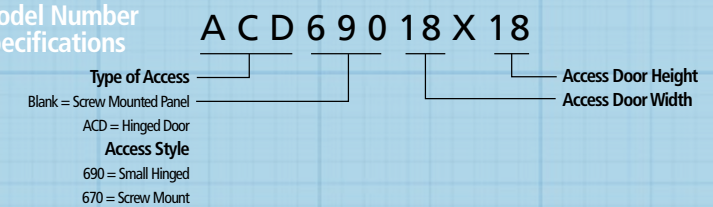


MODEL ACD690



Model ACD690
Solid Face Access Panel - Hinged Face
(Reverse side shown)

Model Number Specifications



ACD2400 Series

TRUaire's ACD2400 series split access doors are an economical and attractive access door for ceilings and are manufactured using the highest quality materials to provide strength and durability. TRUaire's ACD2400 split access doors are ideally suited for apartment, condominiums and office building where easy access to mechanical equipment located above a ceiling is required. These access doors are split into three sections, allowing the center section to be opened without opening the side sections.

These access panels can be ordered with a solid face or a louvered return air filter grille each having concealed fixed hinges and easy-open SmoothGlide Technology finger latches.



Model ACD2440S
Solid Face Access Panel

Model ACD2440L
Louvered Face Access Panel

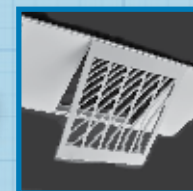
Features

- Steel construction
- Unique segmented face design
- Easy filter access
- Completely removable panels
- Center panel is louvered or solid face
- SmoothGlide™ finger latches
- Accepts 20" x 20" x 1" filter
- Pristine white powder coat finish

Product Detail



1. All Panels Closed



2. Center Panel Open

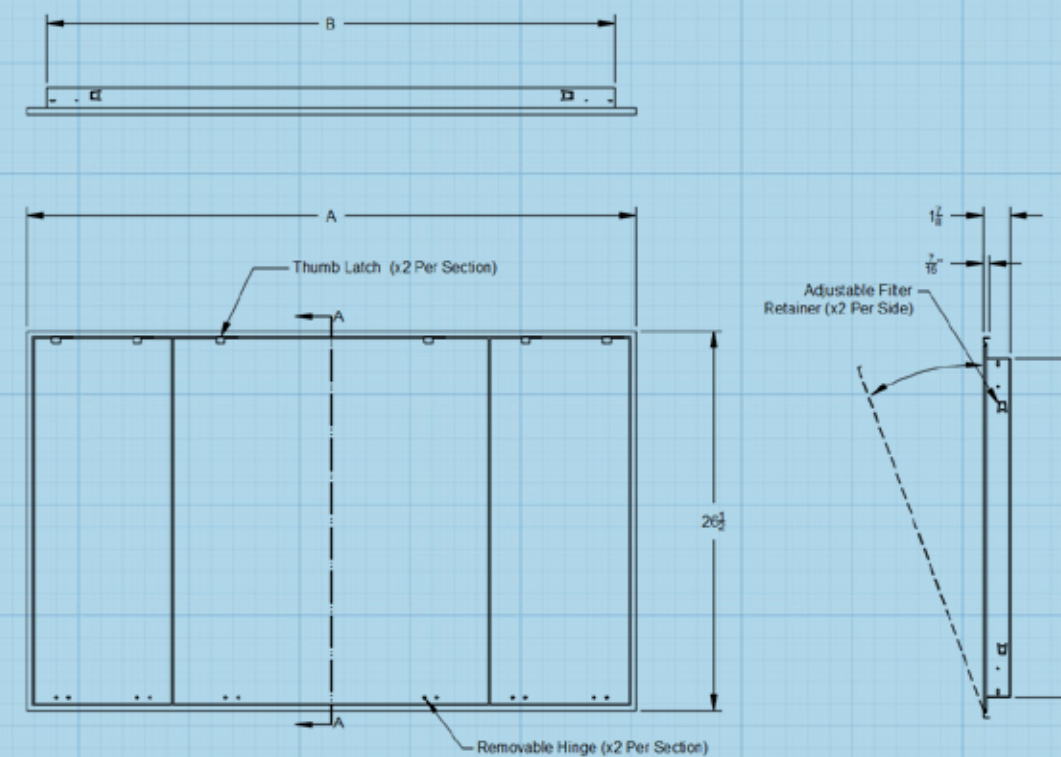


3. Center & Left Panel Open



4. SmoothGlide™ Latch Technology

MODEL ACD2400



MODEL	Dimensions		
	A	B	C
2440	46 1/2	39 5/8	9 3/4
2446	48 1/2	45 5/8	12 3/4
2452	54 1/2	51 5/8	15 3/4
2460	62 1/2	59 5/8	19 3/4

NOTE: Solid panel shown, all dimensions are typical for louver panels.

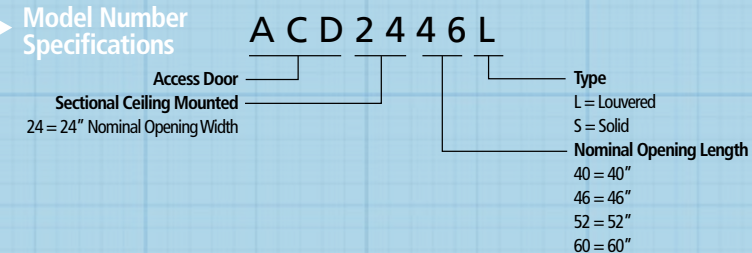
ACD2400 Series Options

Model ACD2440L (Louvered)
Louvered center panel is used for non-ducted return air applications.



Shown in closed position

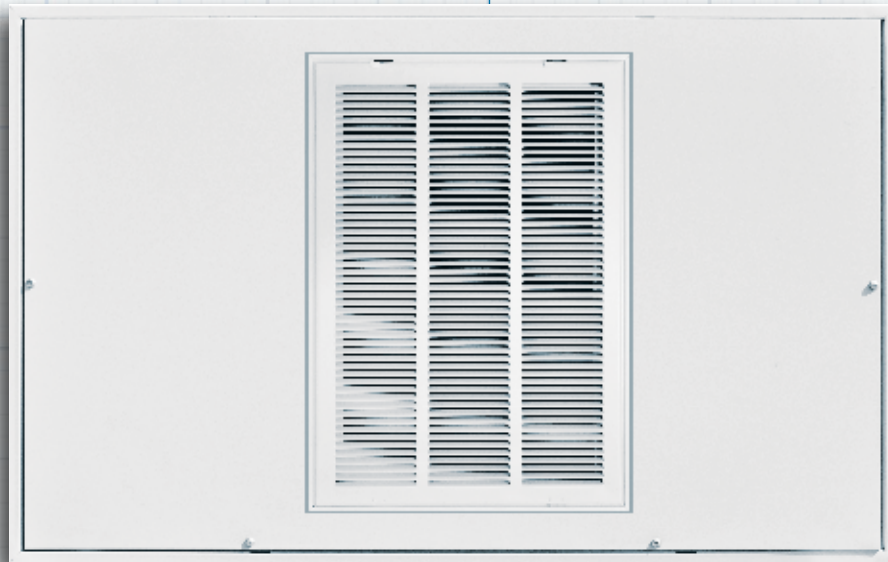
Model Number Specifications



ACP Series

Truairé's ACP series access ceiling panels are designed to allow access to HVAC equipment located above hard cast ceilings. These access ceiling panels come in either a return air filter grille style or a solid panel style. The return air filter grille style can be ordered with one or two 18" x 18" nominal louvered panels. The main access panel is held closed to the frame by thumb screws. The access ceiling panel installs flush on to the drywall which has been applied directly below the HVAC equipment.

Model ACP-L Louvered Ceiling Access Panel



Model ACP-S Solid Ceiling Access Panel



Features

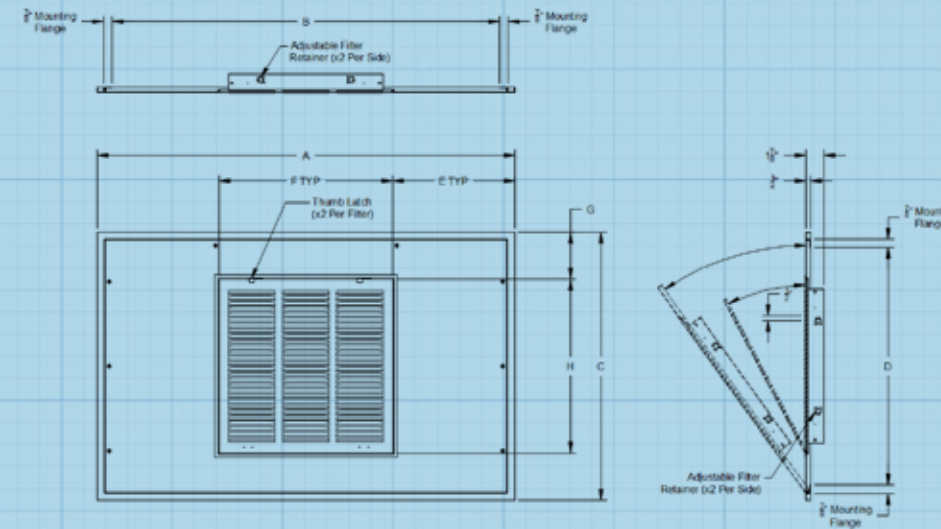
- Steel construction
- Hinged main panel
- Separate hinged filter access on LF
- 1/2" blade spacing on LF Models
- 40° blade pitch on LF Models
- SmoothGlide™ finger latches on filter access
- Pristine white powder coat finish

Product Detail



Durable, Mitered Corner

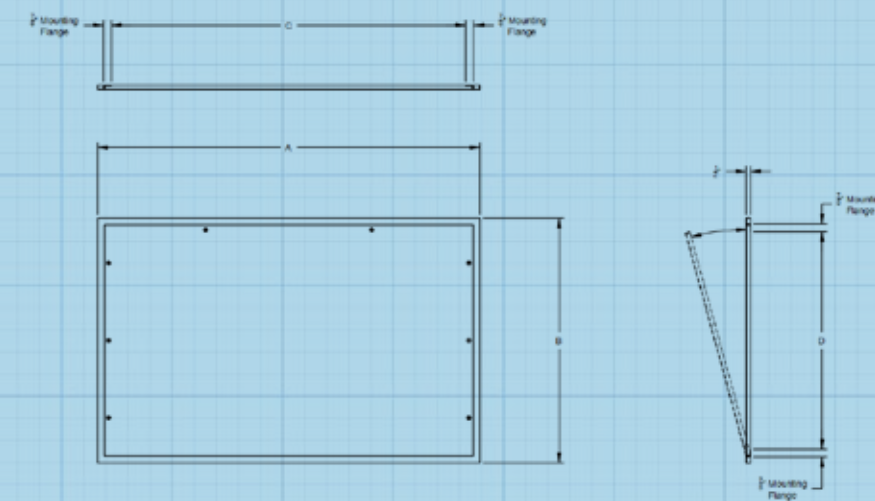
Model ACPLF



NOTE: ACPLF1 panel shown: all dimensions are typical to solid panels

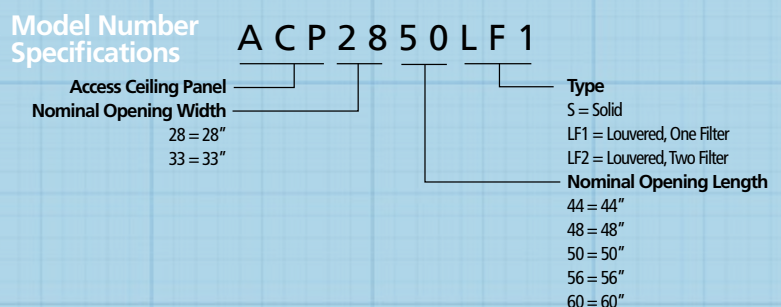
Model	Dimensions								Filter Size & Qty
	A	B	C	D	E	F	G	H	
ACP2844FL1	43-1/4"	40-1/8"	27-3/4"	24-5/8"	11-5/8"	22"	3-7/8"	22"	20" x 20" x 1" (1)
ACP2850FL1	49-1/4"	46-1/8"	27-3/4"	24-5/8"	14-5/8"	22"	3-7/8"	22"	20" x 20" x 1" (1)
ACP2844FL1	55-3/4"	52-5/8"	27-3/4"	24-5/8"	17-5/8"	22"	3-7/8"	22"	20" x 20" x 1" (1)
ACP3348LF2	48"	44-7/8"	32-1/2"	29-3/8"	5-1/16"	16"	6-1/4"	16"	18" x 14" x 1" (2)
ACP2844FL1	55-3/4"	52-5/8"	32-1/2"	29-3/8"	7-1/16"	20"	6-1/4"	20"	18" x 18" x 1" (2)

Model ACPS



Nominal Module Size	Dimensions			
	"A"	"B"	"C"	"D"
ACP 2844-S	43 1/4"	27 3/4"	40 1/8"	24 5/8"
ACP 2850-S	49 1/4"	27 3/4"	46 1/8"	24 5/8"
ACP 2856-S	55 3/4"	27 3/4"	52 5/8"	24 5/8"
ACP 3348-S	48"	32 1/2"	44 7/8"	29 3/8"
ACP 3360-S	60"	32 1/2"	56 7/8"	29 3/8"

Model Number Specifications



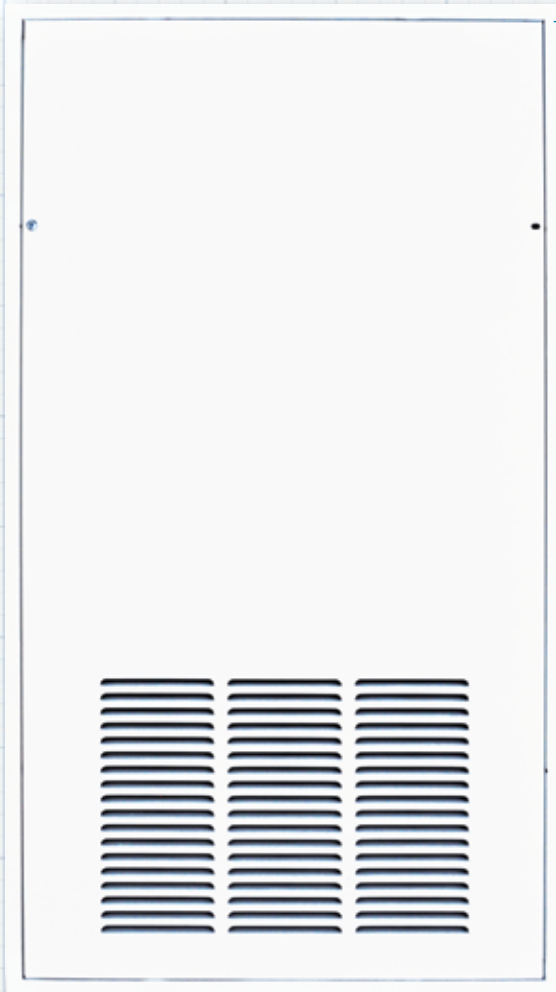
AWD Series

TRUaire's AWD series access wall doors are designed to allow access to HVAC equipment located behind walls. These access wall doors come in either a return air panel or a solid panel. The return air panel has stamped louvers on the bottom portion with filter access achieved by removal of the panel. The panel secures to the frame by tabs on the bottom edge and two quarter-turn fasteners in the upper corners. The access wall door installs flush on to the drywall which has been applied directly in front of the HVAC equipment.

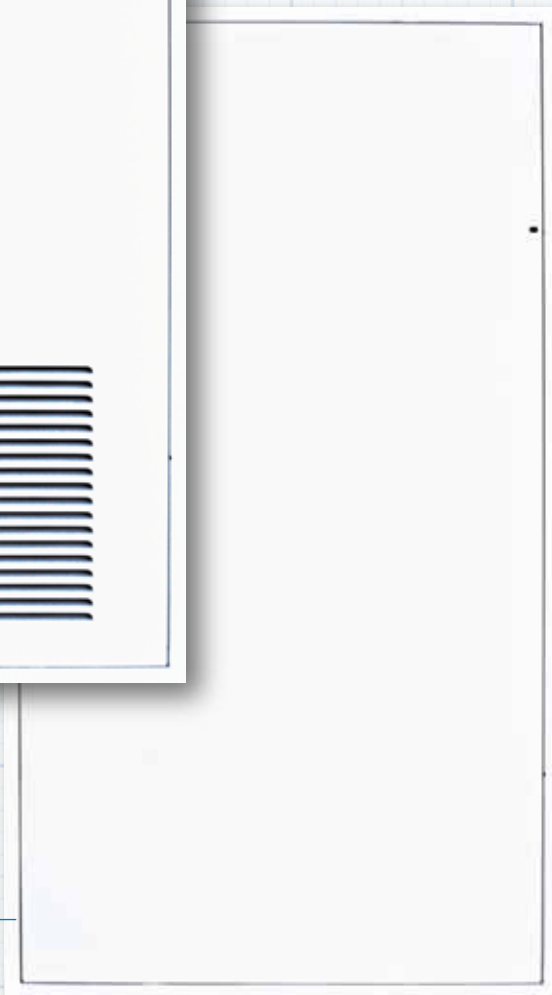
Features

- Steel construction
- 5/8" blade spacing
- 20° blade pitch
- Pristine white powder coat finish

Model AWD-L
Wall Access Door Panel



Model AWD-S
Wall Access Door Panel

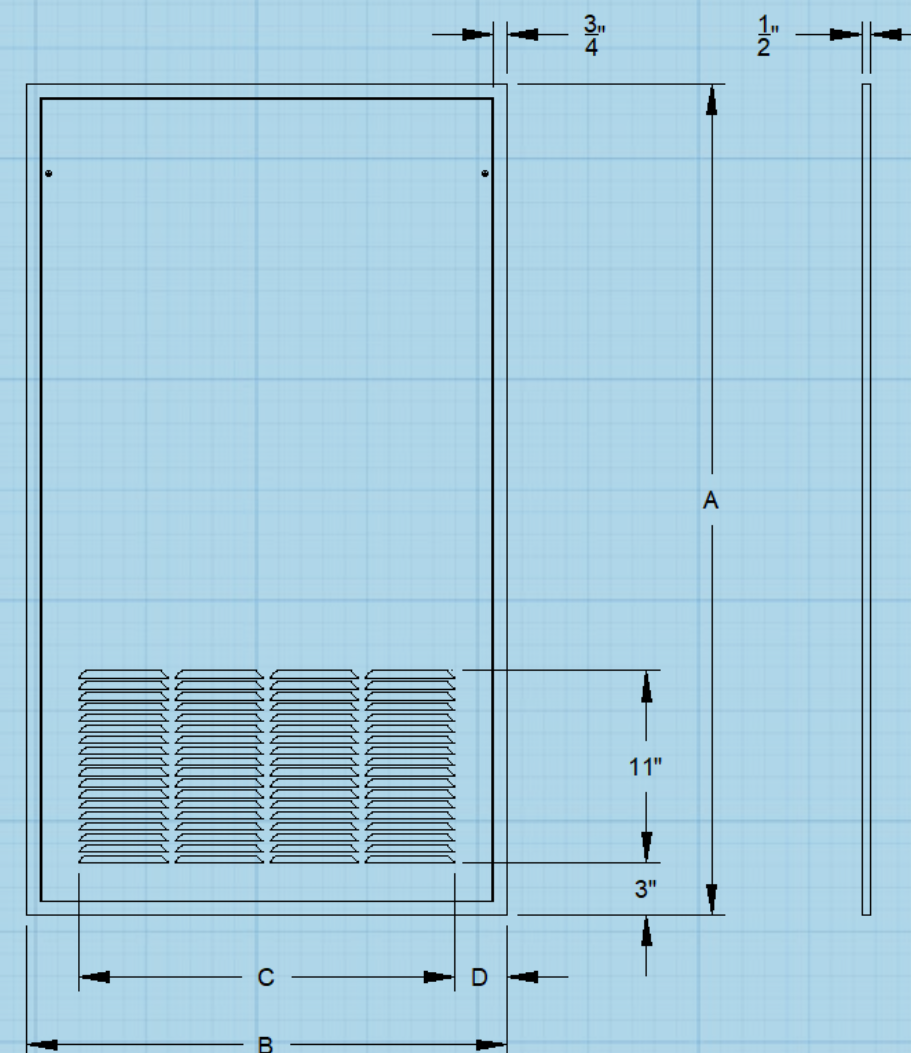


Product Detail



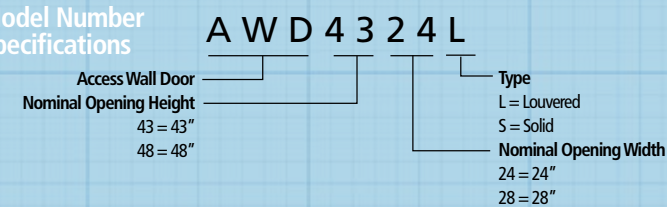
Stamped Louver Blades

MODEL AWD



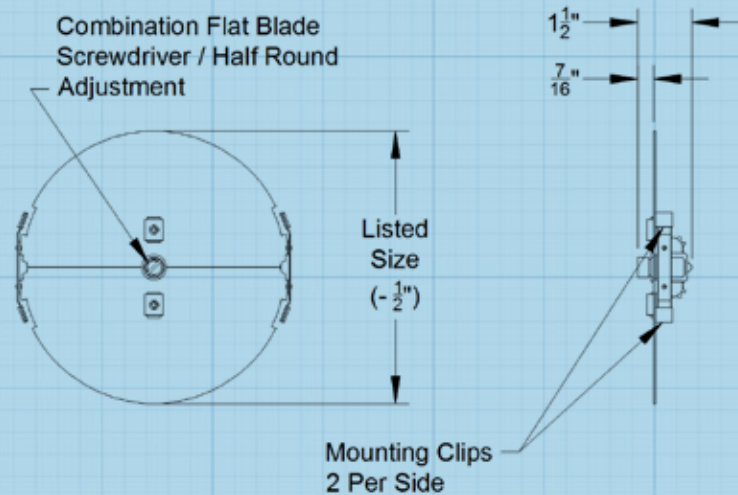
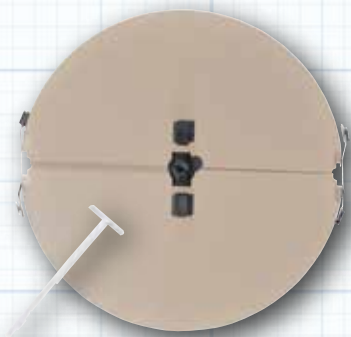
Model	Dimensions				Rough Opening	
	A	B	C	D	H	W
AWD 4324-L	43 1/8"	24 3/8"	15 7/8"	4 1/4"	39 3/4"	21"
AWD 4828-L	47 5/8"	27 1/2"	21 3/8"	3"	44 1/4"	24 1/8"

Model Number Specifications



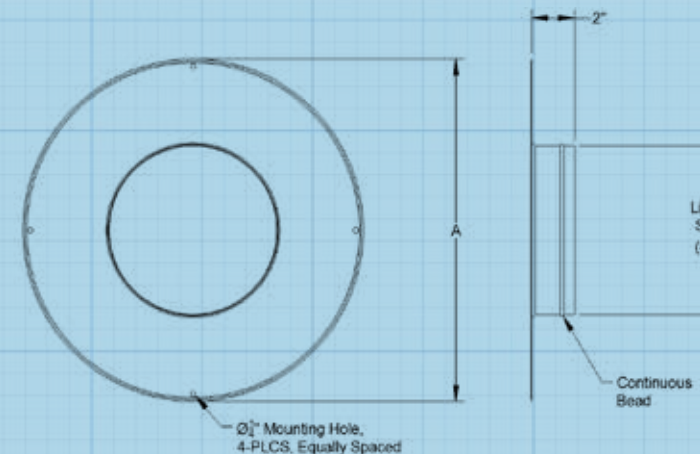
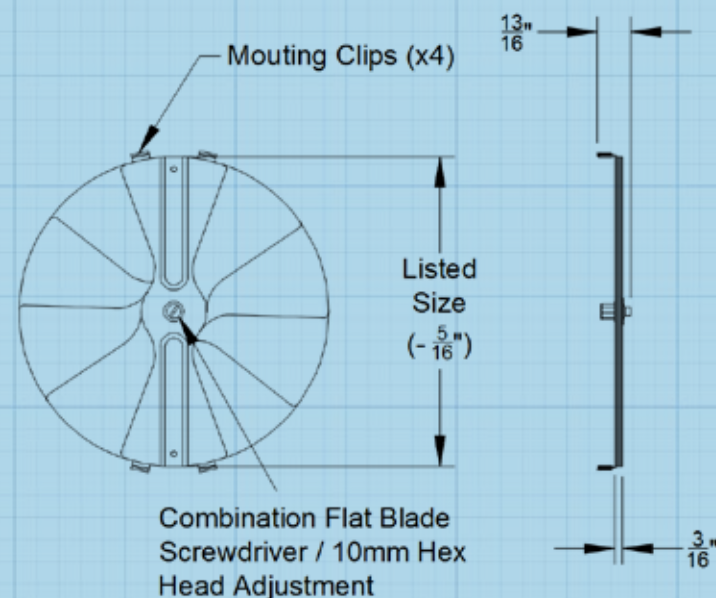
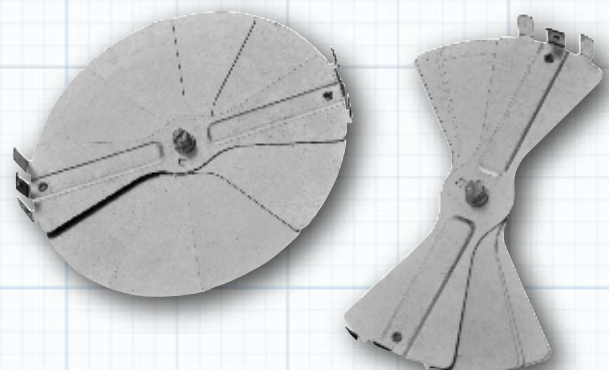
Model 802
Butterfly damper

Truair's 802 butterfly dampers mount directly onto the round neck of the diffusers or grille for a means of volume control for effective air balancing. Truair's 802 butterfly dampers are manufactured using the highest quality materials to provide strength and durability. These round butterfly dampers are offered from 6" diameter to 18" diameter, increments of 2". These butterfly dampers are opened and closed using either the tee handle half round adjustment tool supplied with butterfly damper or a regular flat blade screwdriver through the face of the diffuser. These butterfly damper blades are made from steel and are powder coated a durable brown finish and come supplied with half round tee handle adjustment tool.



Model 804
Radial Damper

Truair's 804 radial dampers mount directly onto the round neck of the diffusers or grille for a means of volume control for effective air balancing. Truair's 804 radial dampers are manufactured using the highest quality materials to provide strength and durability. These round radial dampers are offered from 6" diameter to 14" diameter, increments of 2". These radial dampers are opened and closed using either the tee handle 10mm hex head adjustment tool supplied with radial damper or a regular flat blade screwdriver through the face of the diffuser. The blades of the radial damper slide at right angles to the duct. These radial dampers blades are made entirely from electro-galvanized steel for corrosion resistance and come supplied with a 10mm hex head tee handle adjustment tool.



Model 820
Ring Collar

Truair's 820 Ring Collar has a unique snap-in design which helps with ease of installation. Truair's 820 ring collars are manufactured using the highest quality materials to provide strength and durability. These ring collars have a 2" high beaded duct collar for superior strength as well as retention for flexible duct connections. These ring collars are made entirely from electro-galvanized steel for corrosion resistance. Offered in 6", 7", 8", 9", 10", 12", 14", 16" and 18" neck diameters.

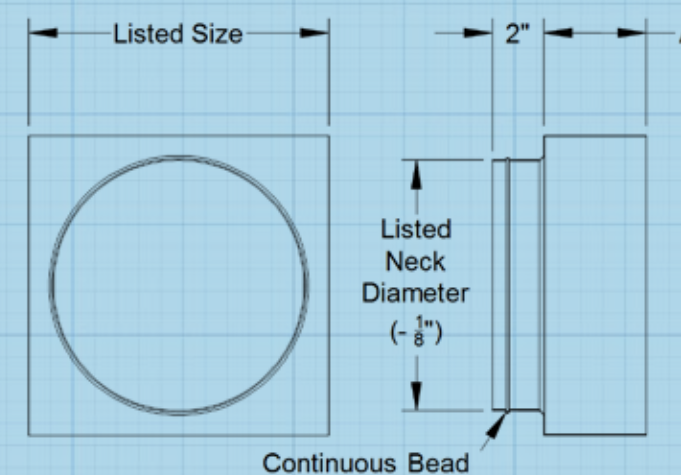
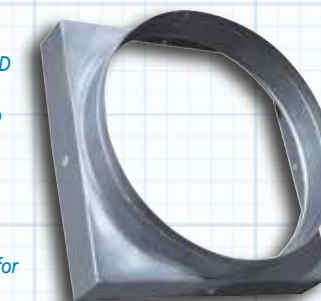


Model 821
Push Pin Fasteners

- Push pins come in packages of 20. (Please order in quantities divisible by 20)
- Used with Model 820 pictured above along with insulated back.

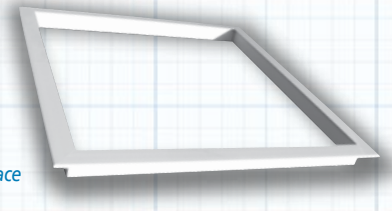
Model SQRD
Square to Round Transition

Truair's SQRD square-to-round transitions allow the installation of round or flexible duct to square neck diffusers. Truair's SQRD square-to-round transitions are manufactured using the highest quality materials to provide strength and durability. These square-to-round transitions have a 2" high beaded duct collar for superior strength as well as retention for flexible duct connections. These square-to-round transitions come in two depths, 1/2" deep for connecting directly to the diffuser and 4" deep for when the diffuser requires a control damper. These square-to-rounds are made entirely from electro-galvanized steel for corrosion resistance.



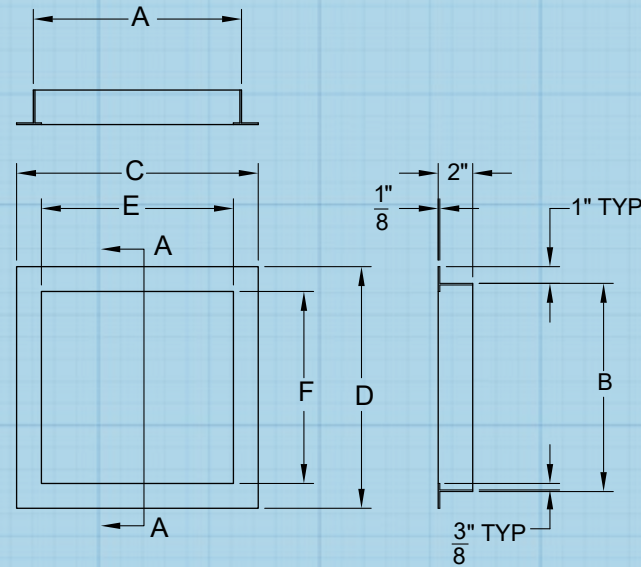
Damper Option	Dimension A
W/O OBD	1/2"
W/ OBD	4"

Model 5000XF
Surface Mounting Frame



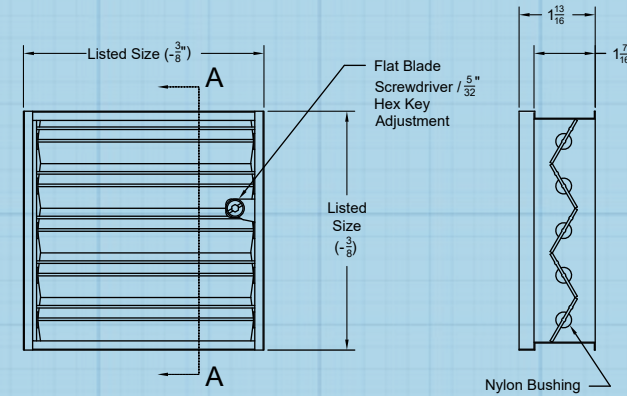
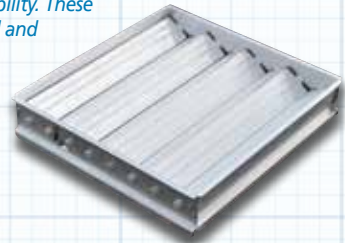
Truair's 5000XF aluminum surface mounting frames allow the installation of T-bar style diffusers and grilles into plaster or gypsum board hard cast ceilings. Truair's 5000XF surface mounting frames are manufactured using the highest quality materials to provide strength and durability. The surface mounting frame comes in four different sizes. Diffuser or grille with flex connection can be lifted out of frame to access ceiling space. The surface mount frames are made entirely out of extruded aluminum and are powder coated a durable pristine white finish and come supplied with corresponding mounting screws.

SIZE	A	B	C	D	E	F
12 x 12	14"	14"	12 1/16"	12 1/16"	11 1/8"	11 1/8"
24 x 12	26"	14"	24 1/16"	12 1/16"	23 1/8"	11 1/8"
24 x 24	26"	26"	24 1/16"	24 1/16"	23 1/8"	23 1/8"
24 x 48	26"	50"	24 1/16"	48 1/16"	23 1/8"	47 1/8"



Model AL-OBD
Aluminum Opposed Blade Damper

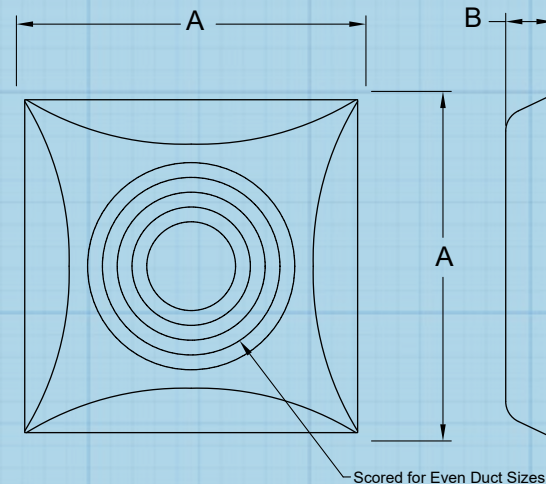
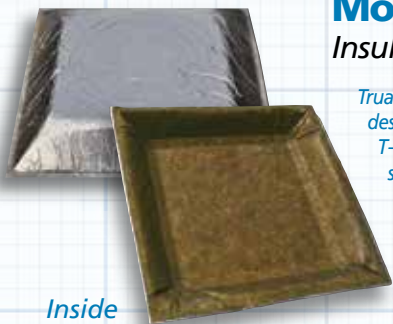
Truair's AL-OBD aluminum opposed blade dampers mount directly to the neck of the diffuser or grille for a means of volume control for effective air balancing. Truair's AL-OBD aluminum opposed blade dampers are manufactured using the highest quality materials to provide strength and durability. These aluminum opposed blade dampers are opened and closed by a screwdriver adjustment which is accessible through the face of the registers. These aluminum opposed blade dampers are made entirely from extruded aluminum and have durable nylon bushings to ensure blades stay in place and do not rattle.



Outside

Model 1056FB
Insulated Back

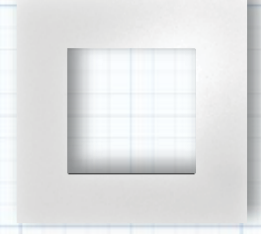
Truair's 1056FB series insulated back is designed to prevent the back pans of the T-Bar Lay-In style grilles and diffusers from sweating. Truair's 1056FB insulated backs are manufactured using the highest quality materials to provide strength and durability. These insulated backs are made of 1/2" fiberglass insulation that has an aluminum foil vapor barrier bonded to the back side and are molded to fit the contour of the back pan.



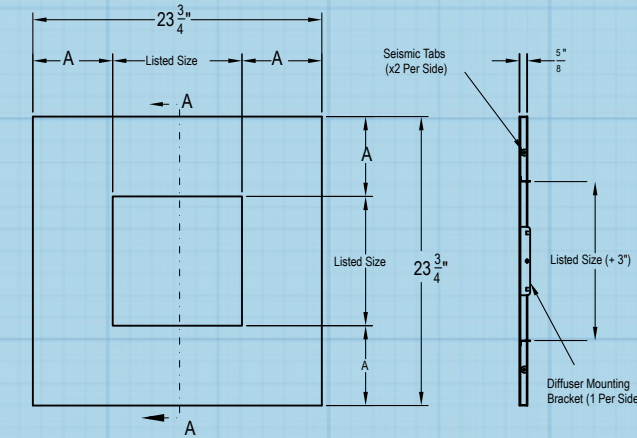
Model	Dimensions		Scored Duct Diameters
	A	B	
1056FB 12MOLD	11 3/4"	2 5/8"	4", 6" & 8"
1056FB MOLD	23 3/4"	3 3/16"	6", 8", 10", 12" & 14"

Model 5000P
T-Bar Panel

Truair's 5000P series T-Bar panels are designed to accept A500 series diffusers. Truair's 5000P series T-Bar panels are manufactured using the highest quality materials to provide strength and durability. These T-Bar panels have a pre-punched square hole on center for the field mounting of the A500 series diffusers. These 5000P series T-Bar panels are made from steel and are powder coated a nice, durable pristine white.

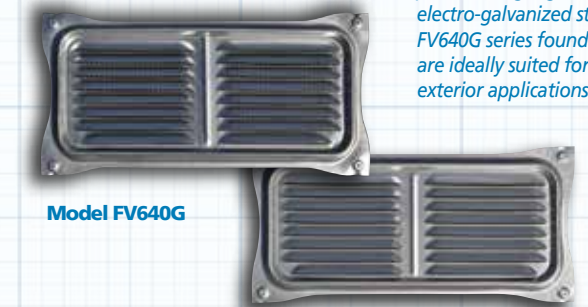


Listed Size	Dim "A"
6" x 6"	8 9/16"
8" x 8"	7 9/16"
10" x 10"	6 9/16"
12" x 12"	5 9/16"
14" x 14"	4 9/16"
16" x 16"	3 9/16"
18" x 18"	2 9/16"
20" x 20"	1 9/16"



Model FV640G
Louvered Foundation Vent

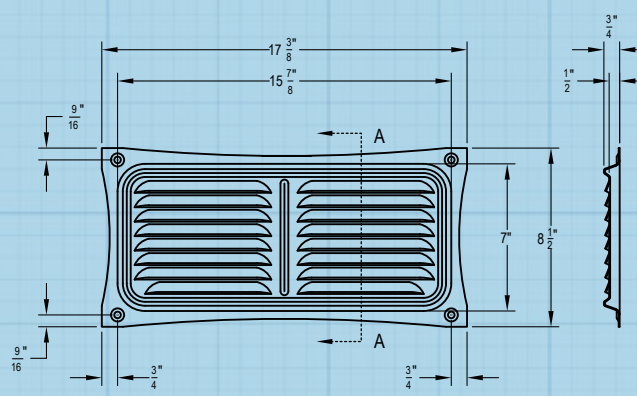
Truair's FV640G series foundation vents are designed to keep crawl spaces dry and allow light to enter. When moisture build-up is reduced, so are the chances of rot, mildew, instability and pest infestations such as termites. Truair's FV640G series are manufactured using the highest quality materials to provide strength and durability. These foundation vents are stamped out of a single piece of 26-gauge electro-galvanized steel. The FV640G series foundation vents are ideally suited for stucco and exterior applications.



Model FV640G

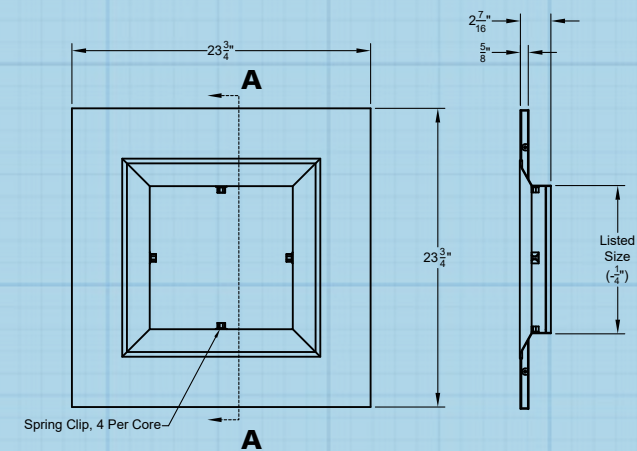
Model FV640GS - Louvered Foundation Vent

- Shown with and without wire mesh backing. Please specify your preference when ordering.



5400SD Series
T-Bar Panel

Truair's 5400SD series T-Bar panels are designed to accept A540 series diffuser's center cores. Truair's 5400SD series T-Bar panels are manufactured using the highest quality materials to provide strength and durability. These T-Bar panels have the diffuser frame mounted on a steel panel. These 5400SD series T-Bar panels are powder coated a durable pristine white.





ONE PIECE AIR DIFFUSERS

Our patented 73 second



diffuser install is the quickest in the trade.



- Patented one piece grille, damper box.
- Virtually air tight.
- Lightening fast installation.

Virtually air tight butterfly damper
Rubber gasket delivers superior
seal when closed.



Stepped Collar for
multiple duct sizes ▶

Collar tabs easily tear away
unnneeded sections ▶

Mounting Clip
accommodate
thicknesses up to 1/4"

Damper Handle
allows smooth, easy turning
adjustment from below
for fully open to tightly
closed position ▶

High Grade Polymer Grille
resists breakage, scratching,
yellowing and fading.

CHOOSE CLASSIC OR RETRO STYLE



Classic GRILLE DAMPER BOX

Think fast Work smart. Our one piece design is virtually air tight, eliminating the need for tedious mastic and external sealers. That cuts attic time. Diffuser installation is no longer a two man job. Labor estimates will be more competitive and you can pocket the profit. You won't want to go back to a metal diffuser ever again.

Strong, Versatile, Quiet.

TRUaire Retrofit Classic is molded with professional grade polymers for long lasting durability. Choose from five grille styles to deliver the optimum air flow and movement pattern for any room. Stepped collar tears off easily to enlarge duct size to maximize job site flexibility. Virtually air-tight construction ensures efficient and quiet air delivery. 2 Sizes available.

Retro GRILLE DAMPER BOX

Retro style. Same innovation. Something unexpectedly beautiful for your discriminating customer. Retro diffusers simulate the look of traditional cast iron, to add a sense of warmth missing in contemporary diffusers.

For Premium Installations.

Distinguish yourself from your competition with TRUaire Retrofit Retro reproduction antique styled air diffusers. Your discerning customer can have the look and feel of a reproduction cast iron grille without the high cost and weight. Simulated cast iron texturing is scratch and rust resistant. Authentic handle turns easily for full range of air flow adjustment. TRUaire Retrofit Retro offers the same advanced technology and labor saving installation time as the standard TRUaire Retrofit diffuser line. Available in black and white. 2 sizes available.

Action videos and full details @ rectorseal.com/airtec



TRUAIRE® RETROFIT DIFFUSER AIR FLOW SPECIFICATIONS



RS # (ref. #)
81912 (MV2) (8x8") Ak=.33

CFM	PRESSURE LOSS	THROW*	FACE VELOCITY**
55	.006 WG	4.9 ft	164 ft/min
75	.009 WG	6.7 ft	229 ft/min
90	.014 WG	8.0 ft	264 ft/min
110	.021 WG	9.8 ft	330 ft/min
125	.027 WG	11.1 ft	375 ft/min
150	.039 WG	13.4 ft	451 ft/min
175	.053 WG	15.6 ft	533 ft/min
200	.069 WG	17.8 ft	604 ft/min
250	.108 WG	22.3 ft	757 ft/min
300	.156 WG	26.7 ft	909 ft/min
350	.212 WG	31.2 ft	1060 ft/min



RS # (ref. #)
81902 (MV2S) (6x6") Ak=.17

CFM	PRESSURE LOSS	THROW*	FACE VELOCITY**
55	.028 WG	4.5 ft	308 ft/min
75	.054 WG	6.0 ft	421 ft/min
90	.102 WG	7.1 ft	592 ft/min
110	.145 WG	8.9 ft	663 ft/min
125	.181 WG	10.3 ft	785 ft/min
150	.245 WG	11.5 ft	903 ft/min
175	.325 WG	12.6 ft	1045 ft/min
200	.430 WG	14.0 ft	1155 ft/min

RS # (ref. #)
81913 (MV3), 81943 (GRD3) (8x8") Ak=.29

CFM	PRESSURE LOSS	THROW*	FACE VELOCITY**
55	.008 WG	5.0 ft	188 ft/min
75	.014 WG	6.8 ft	255 ft/min
90	.020 WG	8.1 ft	310 ft/min
110	.030 WG	9.9 ft	370 ft/min
125	.038 WG	11.3 ft	445 ft/min
150	.054 WG	13.5 ft	517 ft/min
175	.073 WG	15.8 ft	602 ft/min
200	.095 WG	18.0 ft	689 ft/min
250	.148 WG	22.5 ft	862 ft/min
300	.213 WG	27.0 ft	1034 ft/min
350	.289 WG	31.5 ft	1206 ft/min



RS # (ref. #)
81903 (MV3S) (6x6") Ak=.17

CFM	PRESSURE LOSS	THROW*	FACE VELOCITY**
55	.056 WG	5.3 ft	344 ft/min
75	.075 WG	7.2 ft	426 ft/min
90	.130 WG	8.8 ft	570 ft/min
110	.171 WG	10.2 ft	661 ft/min
125	.230 WG	11.1 ft	785 ft/min
150	.290 WG	11.5 ft	880 ft/min
175	.445 WG	12.1 ft	994 ft/min
200	.545 WG	12.8 ft	1182 ft/min

RS # (ref. #)
81914 (MV4), 81944 (GRD4) & 81834 (GR4) (8x8") Ak=.30

CFM	PRESSURE LOSS	THROW*	FACE VELOCITY**
55	.007 WG	3.9 ft	183 ft/min
75	.011 WG	5.3 ft	247 ft/min
90	.017 WG	6.4 ft	293 ft/min
110	.024 WG	7.8 ft	359 ft/min
125	.030 WG	8.9 ft	410 ft/min
150	.043 WG	10.6 ft	505 ft/min
175	.057 WG	12.4 ft	562 ft/min
200	.073 WG	14.2 ft	640 ft/min
250	.114 WG	17.7 ft	833 ft/min
300	.164 WG	21.3 ft	1000 ft/min
350	.223 WG	24.8 ft	1166 ft/min



RS # (ref. #)
81904 (MV4S) (6x6") Ak=.20

CFM	PRESSURE LOSS	THROW*	FACE VELOCITY**
55	.050 WG	4.5 ft	330 ft/min
75	.085 WG	6.3 ft	361 ft/min
90	.117 WG	7.1 ft	440 ft/min
110	.160 WG	8.2 ft	527 ft/min
125	.200 WG	9.1 ft	605 ft/min
150	.290 WG	10.2 ft	750 ft/min
175	.395 WG	10.9 ft	875 ft/min
200	.490 WG	11.5 ft	962 ft/min

RS # (ref. #)
81911 (MV360) (8x8") Ak=.33

CFM	PRESSURE LOSS	THROW*	FACE VELOCITY**
55	.002 WG	3.0 ft	161 ft/min
75	.003 WG	3.6 ft	223 ft/min
90	.004 WG	3.8 ft	269 ft/min
110	.005 WG	4.0 ft	328 ft/min
125	.006 WG	5.0 ft	381 ft/min
150	.010 WG	5.5 ft	449 ft/min
175	.015 WG	6.5 ft	527 ft/min
200	.021 WG	7.0 ft	612 ft/min
250	.029 WG	8.0 ft	755 ft/min
300	.038 WG	9.0 ft	904 ft/min
350	.045 WG	10.0 ft	1055 ft/min



RS # (ref. #)
81901 (MV360S) (6x6") Ak=.17

CFM	PRESSURE LOSS	THROW*	FACE VELOCITY**
55	.006 WG	0.8 ft	214 ft/min
75	.009 WG	1.5 ft	284 ft/min
90	.014 WG	2.2 ft	347 ft/min
110	.018 WG	2.3 ft	415 ft/min
125	.025 WG	3.2 ft	437 ft/min
150	.036 WG	4.4 ft	544 ft/min
175	.045 WG	5.5 ft	614 ft/min
200	.060 WG	6.4 ft	699 ft/min

TRUAIRE® RETROFIT DIFFUSER AIR FLOW SPECIFICATIONS



RS # (ref. #)
81915 (MVE) (8x8") Ak=.37

CFM	PRESSURE LOSS	THROW*	FACE VELOCITY**
55	.0005 WG	0.8 ft	92 ft/min
75	.0008 WG	2.1 ft	151 ft/min
90	.0014 WG	3.4 ft	207 ft/min
110	.0017 WG	5.6 ft	255 ft/min
125	.0020 WG	7.8 ft	350 ft/min
150	.0030 WG	9.7 ft	445 ft/min
175	.0050 WG	11.4 ft	545 ft/min
200	.0080 WG	12.8 ft	700 ft/min
250	.0200 WG	14.1 ft	910 ft/min
300	.0250 WG	14.8 ft	1044 ft/min
350	.0300 WG	15.4 ft	1187 ft/min



RS # (ref. #)
81905 (MVES) (6x6") Ak=.31

CFM	PRESSURE LOSS	THROW*	FACE VELOCITY**
55	.0008 WG	1.2 ft	146 ft/min
75	.0018 WG	4.2 ft	230 ft/min
90	.0035 WG	6.2 ft	285 ft/min
110	.0043 WG	7.3 ft	338 ft/min
125	.0054 WG	8.7 ft	434 ft/min
150	.0085 WG	9.8 ft	545 ft/min
175	.0100 WG	11.0 ft	645 ft/min
200	.0110 WG	12.4 ft	685 ft/min

RS # (ref. #)
81916 (MXE) (8x8") Ak=.37

CFM	PRESSURE LOSS	THROW*	FACE VELOCITY**
55	.0005 WG	0.8 ft	92 ft/min
75	.0008 WG	2.1 ft	151 ft/min
90	.0014 WG	3.4 ft	207 ft/min
110	.0017 WG	5.6 ft	255 ft/min
125	.0020 WG	7.8 ft	350 ft/min
150	.0030 WG	9.7 ft	445 ft/min
175	.0050 WG	11.4 ft	545 ft/min
200	.0080 WG	12.8 ft	700 ft/min
250	.0200 WG	14.1 ft	910 ft/min
300	.0250 WG	14.8 ft	1044 ft/min
350	.0300 WG	15.4 ft	1187 ft/min

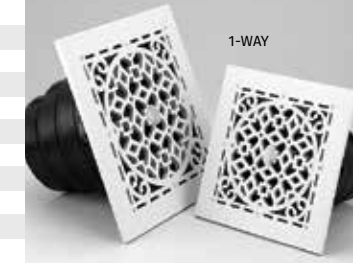


RS # (ref. #)
81906 (MXES) (6x6") Ak=.31

CFM	PRESSURE LOSS	THROW*	FACE VELOCITY**
55	.0008 WG	1.2 ft	146 ft/min
75	.0018 WG	4.2 ft	230 ft/min
90	.0035 WG	6.2 ft	285 ft/min
110	.0043 WG	7.3 ft	338 ft/min
125	.0054 WG	8.7 ft	434 ft/min
150	.0085 WG	9.8 ft	545 ft/min
175	.0100 WG	11.0 ft	645 ft/min
200	.0110 WG	12.4 ft	685 ft/min

RS # (ref. #)
81909 (MVAW) (8x8") Ak=.26

CFM	PRESSURE LOSS	THROW*	FACE VELOCITY**
55	.0007 WG	4.0 ft	175 ft/min
75	.0009 WG	6.8 ft	269 ft/min
90	.0021 WG	8.2 ft	383 ft/min
110	.0055 WG	9.9 ft	436 ft/min
125	.0064 WG	11.3 ft	472 ft/min
150	.0085 WG	12.9 ft	593 ft/min
175	.0105 WG	14.3 ft	693 ft/min
200	.0160 WG	15.3 ft	841 ft/min
250	.0230 WG	16.0 ft	1031 ft/min
300	.0391 WG	17.2 ft	1201 ft/min
350	.0552 WG	17.9 ft	1315 ft/min



RS # (ref. #)
81919 (MVASW) (6x6") Ak=.20

CFM	PRESSURE LOSS	THROW*	FACE VELOCITY**
55	.0085 WG	2.1 ft	277 ft/min
75	.0185 WG	5.0 ft	373 ft/min
90	.0240 WG	7.9 ft	445 ft/min
110	.0375 WG	10.9 ft	550 ft/min
125	.0520 WG	13.3 ft	650 ft/min
150	.0730 WG	14.9 ft	771 ft/min
175	.1010 WG	16.3 ft	899 ft/min
200	.1200 WG	17.5 ft	988 ft/min

RS # (ref. #)
81918 (MVAB) (8x8") Ak=.26

CFM	PRESSURE LOSS	THROW*	FACE VELOCITY**
55	.0007 WG	4.0 ft	175 ft/min
75	.0009 WG	6.8 ft	269 ft/min
90	.0021 WG	8.2 ft	383 ft/min
110	.0055 WG	9.9 ft	436 ft/min
125	.0064 WG	11.3 ft	472 ft/min
150	.0085 WG	12.9 ft	593 ft/min
175	.0105 WG	14.3 ft	693 ft/min
200	.0160 WG	15.3 ft	841 ft/min
250	.0230 WG	16.0 ft	1031 ft/min
300	.0391 WG	17.2 ft	1201 ft/min
350	.0552 WG	17.9 ft	1315 ft/min



RS # (ref. #)
81908 (MVASB) (6x6") Ak=.20

CFM	PRESSURE LOSS	THROW*	FACE VELOCITY**
55	.0085 WG	2.1 ft	277 ft/min
75	.0185 WG	5.0 ft	373 ft/min
90	.0240 WG	7.9 ft	445 ft/min
110	.0375 WG	10.9 ft	550 ft/min
125	.0520 WG	13.3 ft	650 ft/min
150	.0730 WG	14.9 ft	771 ft/min
175	.1010 WG	16.3 ft	899 ft/min
200	.1200 WG	17.5 ft	988 ft/min

*All throw measurements are made from the center of the grille to a terminal velocity of 50 feet per minute. Direction determined by grille profile.

**Noise level of any diffuser is directly related to face velocity. As a general rule face velocity should be under 800 FPM for residential applications. The MV diffuser with its one piece molded design, outperforms comparable diffusers causing less turbulence and noise.

Note: Supply diameter has no appreciable effect on characteristics or airflow specifications, but should be consistent with the desired airflow of the particular outlet and application. Instruments used in testing: • Shortridge Instruments Flowhood Series 8400 • Shortridge Instruments Air data Multimeter • Davis LCA-6000 Rotating Vane Anemometer

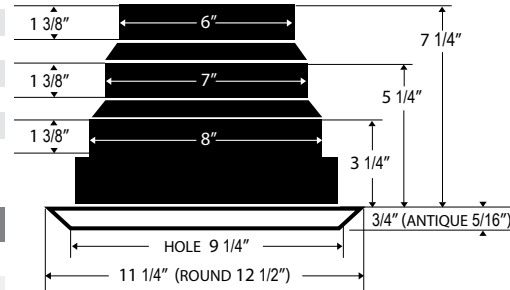
TRUAIRE® RETROFIT CLASSIC/RETRO ORDERING INFORMATION



TRUAire Retrofit Classic standard 8x8" diffuser assembly

RS # (ref. #)	DESCRIPTION	CTN QTY	CTN WT
81912 (MV2)	2-way grille/damper/box	4	9 lbs.
81913 (MV3)	3-way grille/damper/box	4	9 lbs.
81914 (MV4)	4-way grille/damper/box	4	9 lbs.
81911 (MV360)	Round grille/damper/box	4	9 lbs.
81915 (MVE)	Return/exhaust grille/damper/box	4	9 lbs.
81916 (MXE)	Return/exhaust grille/box (no damper)	4	9 lbs.

Note: Stepped Collar accommodates:
6", 7", 8" ducting (MV) 4", 5", 6" ducting (MVS)

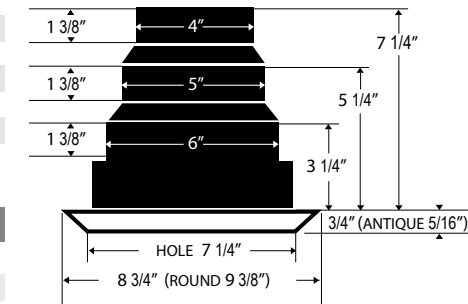


TRUAire Retrofit Retro standard 8x8" diffuser assembly

RS # (ref. #)	DESCRIPTION	CTN QTY	CTN WT
81909 (MVAW)	Retro White grille/damper/box	4	9 lbs.
81918 (MVAB)	Retro Black grille/damper/box	4	9 lbs.

TRUAire Retrofit Classic small 6x6" diffuser assembly

RS # (ref. #)	DESCRIPTION	CTN QTY	CTN WT
81902 (MV2S)	2-way grille/damper/box	8	10.5 lbs.
81903 (MV3S)	3-way grille/damper/box	8	10.5 lbs.
81904 (MV4S)	4-way grille/damper/box	8	10.5 lbs.
81901 (MV360S)	Round grille/damper/box	6	7.5 lbs.
81905 (MVES)	Return/exhaust grille/damper/box	8	10.5 lbs.
81906 (MXES)	Return/exhaust grille/box (no damper)	8	10.5 lbs.

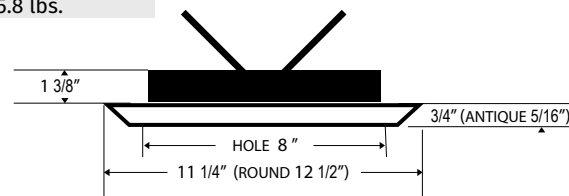


TRUAire Retrofit Retro small 6x6" diffuser assembly

RS # (ref. #)	DESCRIPTION	CTN QTY	CTN WT
81919 (MVASW)	Retro White grille/damper/box	8	10.5 lbs.
81908 (MVASB)	Retro Black grille/damper/box	8	10.5 lbs.

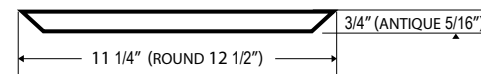
Limited clearance grille/damper

RS # (ref. #)	DESCRIPTION	CTN QTY	CTN WT
81943 (GRD3)	3-way grille/damper	12	15.8 lbs.
81944 (GRD4)	4-way grille/damper	12	15.8 lbs.



Standard Limited clearance grille only

RS # (ref. #)	DESCRIPTION	CTN QTY	CTN WT
81834 (GR4)	4-way grille	25	6 lbs.



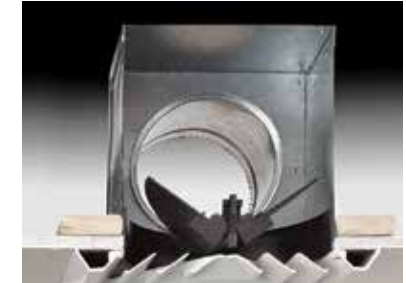
TRUAIRE® RETROFIT ACCESSORIES

GRD Limited Clearance Diffusers

Model GRD grille/damper combination for low clearance side or top entry applications. Same construction as TRUAire Retrofit diffusers but with no boot. Standard 8" size only. Available in all five grille styles.

See page 75 for ordering information.

Grille with damper

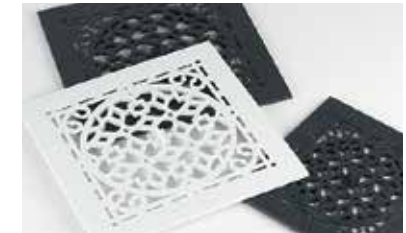


GR Classic/Retro Grilles

Model GR grille only. All styles and sizes of both TRUAire Retrofit Classic and TRUAire Retrofit Retro grilles are available. Does not include boot or damper.

See page 75 for ordering information.

Grille only



RCF Ceiling Support Flanges

RS # (ref. #)	Description	L	W	H	CTN QTY	CTN WT
81965 (RCF16)	16"O/C - 9 1/4" hole	16"	12"	3/8"	50	37 lbs.
81964 (RCF24)	24"O/C - 9 1/4" hole	23 5/8"	12"	3/8"	25	38 lbs.
81955 (RCF16S)	16"O/C - 7" hole	16"	12"	3/8"	50	48 lbs.
81954 (RCF24S)	24"O/C - 7" hole	23 5/8"	12"	3/8"	25	39 lbs.

Model RCF designed for new construction. Our RCF flanges can be fastened to rough framing. It has a 3/8" lip that drops below the ceiling, requiring dry wall installers to cut the hole for you. RCF flanges are available for both 16" and 24" on center framing.

Rough in flanges



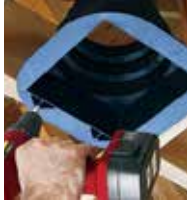
DCF Drop Ceiling Flanges

RS # (ref. #)	Description	L	W	H	CTN QTY	CTN WT
81963 (DCF)	24"O/C - 9 1/4" hole	23 5/8"	12"	2"	25	45 lbs.

Model DCF will increase strength and performance for lay in type ceiling applications by transferring weight onto the T-bars. This prevents tiles from sagging over time.

Flange only





TRUAIRE® RETROFIT TUFFBOX AIR DIFFUSERS

TRUaire Retrofit TuffBox

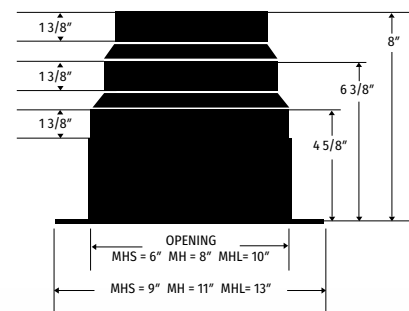
Quick rough-in polymer register box

Code	Description	CTN QTY	CTN WT
81966 (MHS)	6x6" Register Box 4,5,6" collars	16	15 lbs.
81968 (MH)	8x8" Register Box 6,7,8" collars	10	12.2 lbs.
81970 (MHL)	10x10" Register Box 8,9,10" collars	8	12 lbs.



Our TuffBox is a heavy, one piece durable polymer shell. Molded design is virtually air-tight to deliver 100% of the air flow passing through it.

Each TuffBox utilizes innovative stepped design to accommodate three duct sizes. Quick breakaway collars allow on-site adjustment, and labor savings. Each collar is 1-3/8" and beaded to hold flexible duct in place while strap is secured. 3/8" standoffs provide correct depth to accommodate strapping or furring used with drywall. Secure using screw holes provided or simply screw anywhere through the inside into framing. Flange is flexible to conform to drywall backing virtually eliminating leakage between grille and box.



- Adaptable.
- Strong & Silent.
- No measuring.
- No guesswork.



A CSW Industrials Company






AIR DISTRIBUTION

RectorSeal provides industry-leading digital and print support materials for its extensive chemical and mechanical solutions that include:

- Technical Product Information
- Marketing Support Materials
- Engaging Product Demonstration Videos
- Informative SDS and Product Data Sheets
- On-demand and Live Training and Webinars
- Learning Management System (LMS) support via RectorSeal Academy
- Informative Distributor and Sales Representative Tools
- Industry-related Tradeshow and Events Information

For complete details, visit www.rectorseal.com

For the latest product enhancements, news, and updated information, please follow RectorSeal's social media channels.

-  facebook.com/rectorseal
-  linkedin.com/company/rectorseal
-  twitter.com/rectorseal
-  instagram/rectorseal
-  youtube.com/rectorsealcorp

All information is believed to be current at the time of printing, but our policy is one of continuous development. RectorSeal makes no warranties, express or implied, as to its accuracy. RectorSeal reserves the right to discontinue, update or change the information at any time without notice or without incurring obligations.

RectorSeal® • 2601 Spenwick Drive, Houston, TX 77055, USA • 713-263-8001 • rectorseal.com